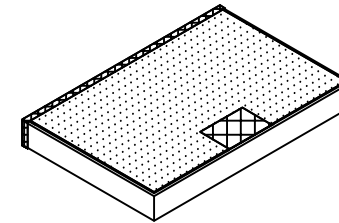
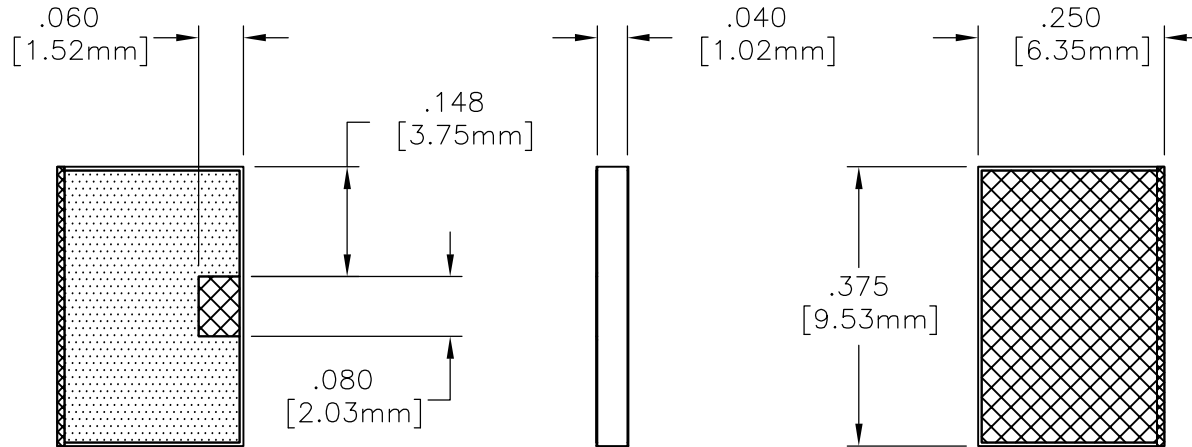


EDD

NOTES:
UNLESS OTHERWISE SPECIFIED, TOLERANCES ARE $\pm .010$ " [.254mm].

DRAWING NO.:
82A7011F

REV.
-



MATERIALS:


SUBSTRATE: ALUMINUM NITRIDE

FINISH:

SOLDERABLE TERMINALS: SILVER PLATED

RESISTIVE FILM: NICHROME

PROTECTIVE COATING: POLYMER

				ECN# 00618	APVD OA	DATE 09/20/01	REFERENCE	 8851 OLD KANSAS AVE. STUART, FL. 34997 561-286-9300			
				UNLESS OTHERWISE SPECIFIED 1. DO NOT SCALE DRAWING 2. DIMENSIONS ARE IN INCHES 3. DIMENSIONS ARE AFTER PLATING 4. CORNERS, EDGES AND FILLETS: R MAX 5. SURFACE ROUGHNESS: 6. REMOVE ALL BURRS			MATERIAL		TITLE		
				TOLERANCES .X \pm .XX \pm .XXX \pm ANGLES X° \pm			FINISH	CHIP, TERMINATION, 100 WATT			
				THE INFORMATION CONTAINED HEREIN IS: (A) CONSIDERED PROPRIETARY TO FLORIDA RF LABS INC.; (B) PROTECTED BY COPYRIGHT OWNED BY FLORIDA RF LABS INC.; (C) CONSIDERED A "WORK FOR HIRE" UNDER COPYRIGHT LAW; (D) PROTECTED BY TRADE SECRET LAWS WHICH MAKE ILLEGAL THE MISAPPROPRIATION OF THIS INFORMATION; AND (E) IS TO BE USED SOLELY FOR THE PURPOSE WHICH IT IS SUPPLIED. THIS INFORMATION SHALL NOT BE DISCLOSED IN WHOLE OR IN PART, TO ANY PARTY, FOR ANY REASON WITHOUT THE EXPRESS WRITTEN CONSENT OF A QUALIFIED EXECUTIVE OF FLORIDA RF LABS INC.			SCALE	CAGE CODE ID NO.	SIZE	DRAWING NO.:	REV.
-	13-2355	VL 07/16/13					4/1	2Y194	A	82A7011F	-
REV.	DESCRIPTION	DRAWN	APVD.				MFG:	CHKD.:	DRAWN:	SHEET 1 OF 2	

EDD

REQUIREMENTS		RATING		REQUIREMENTS		RATING	
NOMINAL IMPEDANCE (OHMS)		50		VIBRATION	MIL-STD-202 METHOD 204 COND. D (20 G's)		
FREQUENCY RANGE (GHz)		DC-4.0					
TEMPERATURE COEFFICIENT		LESS THAN 200 PPM		SHOCK	MIL-STD-202 METHOD 213 COND. I (100 G's)		
OPERATING TEMPERATURE (°C)		-55° TO +150°					
VSWR (MAX)		1.15:1		THERMAL SHOCK	MIL-STD-202 METHOD 107 COND. B (-65 TO +125 °C)		
AVERAGE POWER (WATTS)		100					
DC RESISTANCE		50 OHMS ± 5%		TERMINAL STRENGTH	MIL-STD-202 METHOD 211 COND. A		
				MOISTURE RESISTANCE	MIL-STD-202 METHOD 106 LESS STEP 7B		
<p>AVERAGE POWER DERATING</p>				SOLDERABILITY		MIL-STD-202 METHOD 208	
				RESISTANCE TO SOLDER HEAT		MIL-STD-202 METHOD 210	
TITLE CHIP, TERMINATION, 100 WATT				8851 OLD KANSAS AVE. STUART, FL. 34997 561-286-9300		DRAWING NO. 82A7011F	
				DRAWN -		REV -	
				SHEET 2 OF 2			