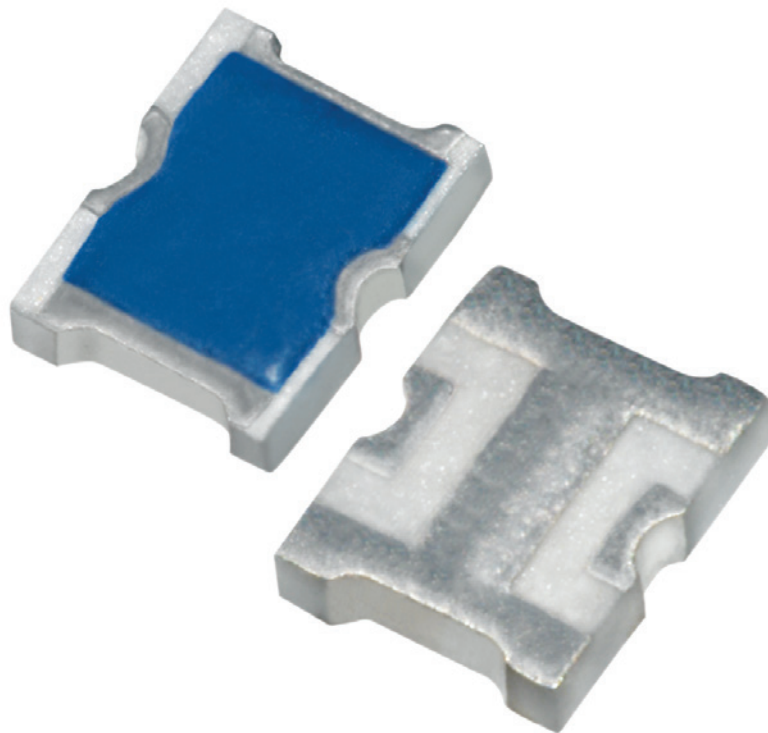


TT9 SMT Series

Attenuator Chip DC-20 GHz



TT9 SMT Series

Attenuator Chip DC-20 GHz



Smiths Interconnect offers the widest selection of products from DC through Q band. Backed by proven performance and significant heritage, Smiths Interconnect is the leader in high reliability components.

Smiths Interconnect introduces the TT9 series, a new wideband surface mount fixed attenuator optimized for performance from DC to 20 GHz. Utilizing our 40 plus years of experience in refining attenuation solutions, the TT9 offers the best performance to date for high frequency applications in an SMT package. These devices are noted for their excellent performance and small size, measuring only 0.070" x 0.060" (1.78mm X 1.62mm). The TT9 wideband fixed attenuator handles up to 4 watts of input power and is available in dB values from 0 to 10 dB in 1 dB increments. In addition, Smiths Interconnect can develop custom variations specific to the frequency band of your application. The same footprint is also offered in a temperature variable version, the WTVA SMT series, for ultimate design flexibility. This product is available in both RoHS compliant and Sn60Pb40 solder finish versions and supplied on tape and reel for high volume pick and place applications.

The full qualification test report and RF test report are available for this series on our website. A product kit with an evaluation board is also available.

TT9 SMT Series with improved power rating, specifically designed for demanding surface mount broadband applications.

Features and Benefits

- Small Footprint
- High Power
- Surface Mount
- Low VSWR
- Easy Installation
- Wide Attenuation Offering

Applications

- Mobile Networks
- Broadcast
- High Power Amplifiers
- Isolators/Circulators
- Military
- Instrumentation

Technical Characteristics

Mounting Configuration Options	Surface Mount (SMT)
--------------------------------	---------------------

Electrical

Nominal Impedance	50 ohms		
Frequency Range	DC-20 GHz		
Attenuation Values Available	1-10 in 1 dB Increments		
Attenuation Accuracy	ATTENUATION ACCURACY		
	Attenuation Value (dB)	DC-15 GHz	15-20 GHz
	0-4	± 0.5	± 0.5
	5-10	± 0.5	± 0.75
Input Power CW	0-1 dB 4.00 W, 2-3 dB 1.50 W, 4-6 dB 1.25 W, 7-10 dB 1.00 Watts (See derating curve)		
Peak Power	5 times input power based on 10 µS pulse width @ 1% Duty Cycle		
VSWR	1.40:1 Typical DC-20 GHz, 1.70:1 Max 10-20 GHz		

Environmental

Operating Temperature	-55°C to +150°C
Storage Temperature	-65°C to +150°C
Moisture Sensitivity Level	MSL 1 - Unlimited

Mechanical

Substrate Material	Alumina (Al ₂ O ₃) 96%
Resistive Film	Thick Film
Terminal Material	Thick Film
Protective Coating	Polymer
Finish Options	Blank Solder Plated (Sn60/Pb40)
	-F Silver Plated (RoHS Compliant)

Marking

Unit Marking	None
--------------	------

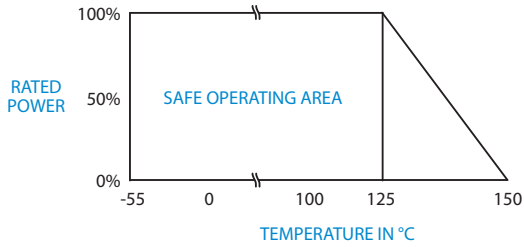
Quality Assurance

	Sample visual and mechanical inspection - 1.0 AQL per mechanical drawing requirements. Periodic electrical inspection performed for commercial grade products. High reliability tested products are available per MIL-PRF-55342.
--	--

Packaging

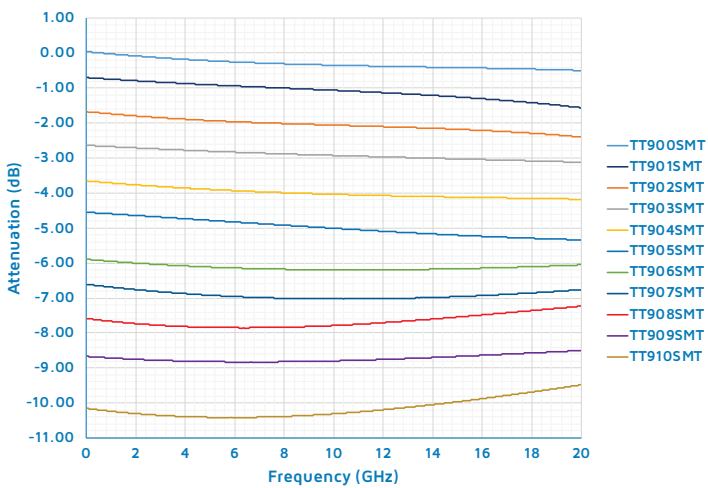
Standard Packaging	Tape and Reel or Waffle Pack
--------------------	------------------------------

Power Derating Curve

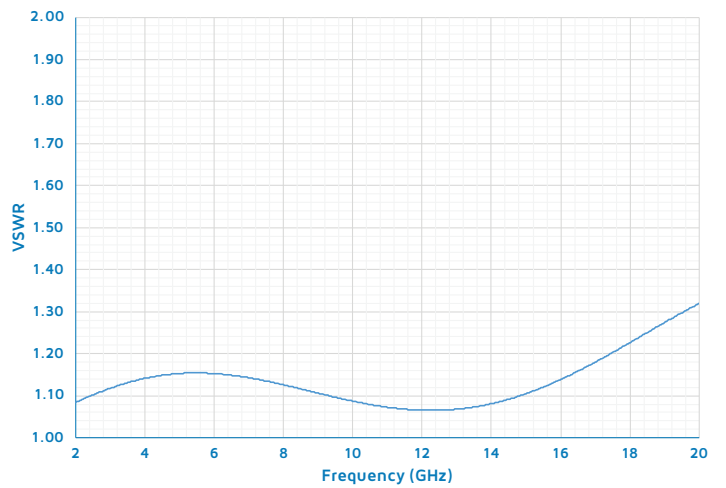


Typical Data

TT9 Series Attenuation

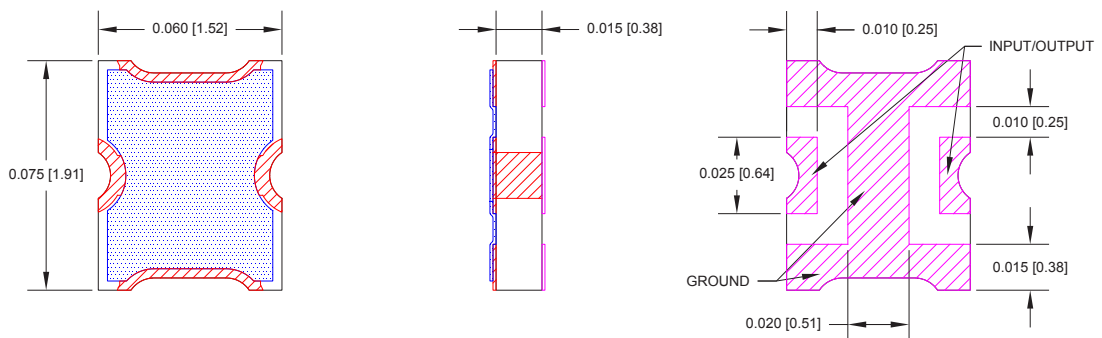


TT9 Series VSWR



Mechanical

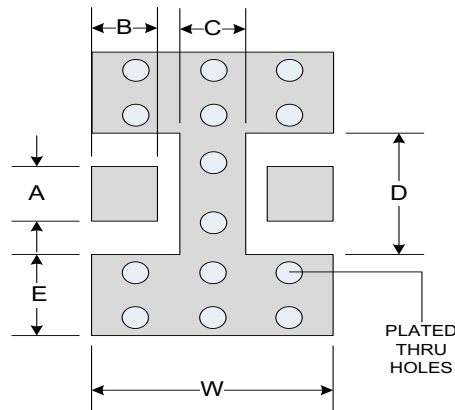
TT9 - Surface Mount



Unless otherwise specified, tolerance: X.XXX = ± 0.005 "

Suggested Mounting Footprint

Part Number	Inches						Millimeters					
	A	B	C	D	S	W	A	B	C	D	S	W
TT9XXSMTF	0.025	0.015	0.016	0.049	0.018	0.070	0.64	0.38	0.41	1.24	0.46	1.78



How To Order

Specify Model Number: **TT9XX.0XXXX**

	TT9	.0	3	4
1 Series Name	TT9 Series			
2 Attenuation Value	.0 00.0 dB through .0 10.0 dB			
3 Options	SMT Surface Mount			
4 Terminal Finish	Standard F RoHS			

Global Support

UK Headquarters

- London, UK
+44 20 7004 1600
info.uk@smithsinterconnect.com

US Headquarters

- Stuart, FL
+1 772 286 9300
info.us@smithsinterconnect.com

Americas

- Costa Mesa, CA
+1 714 371 1100
info.us@smithsinterconnect.com
- Milpitas, CA
+1 408 957 9607 x-1125
info.us@smithsinterconnect.com
- Stuart, FL
+1 772 286 9300
info.us@smithsinterconnect.com
- Hudson, MA
+1 978 568 0451
info.us@smithsinterconnect.com
- Northampton, MA
+1 413 582 9620
info.northampton@smithsinterconnectinc.com
- Tampa, FL
+ 1 813 901 7200
info.tampa@smithsinterconnectinc.com
- Kansas City, KS
+1 913 342 5544
info.us@smithsinterconnect.com
- Salisbury, MD
+1 800 780 2169
info.us@smithsinterconnect.com
- Thousand Oaks, CA
+1 805 267 0100
info.thousandoaks@smithsinterconnectinc.com

Europe

- Deggendorf, Germany
+49 991 250 120
info.de@smithsinterconnect.com
- Genova, Italy
+39 0 10 60361
info.it@smithsinterconnect.com
- Dundee, UK
+44 1382 427 200
info.dundee@smithsinterconnect.com
- Rouen, France
+33 2 32 96 91 76
info.fr@smithsinterconnect.com
- Elstree, UK
+44 20 8236 2400
info.uk@smithsinterconnect.com

Asia

- Shanghai, China
+86 21 3318 4650
info.asia@smithsinterconnect.com
- Suzhou, China
+86 512 6273 1188
info.asia@smithsinterconnect.com
- Singapore
+65 6846 1655
info.asia@smithsinterconnect.com

more > [smithsinterconnect.com](https://www.smithsinterconnect.com) | [in](#) [twitter](#) [youtube](#)