



# RESISTOR CHIP 8 WATT



DATA SHEET

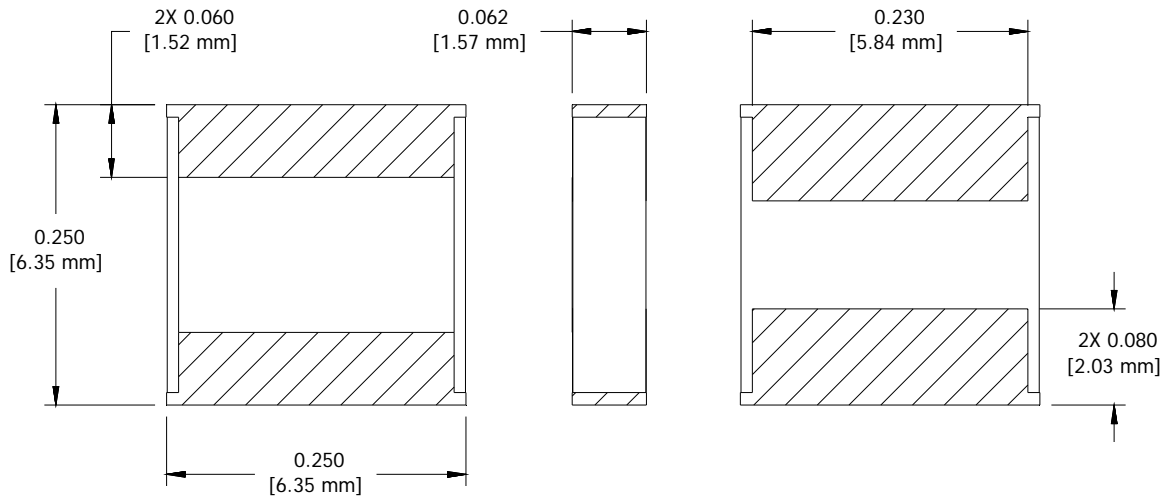
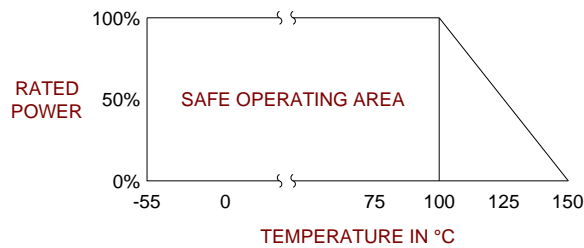
PART SERIES: 81-3012B-X-X

SHEET 2 OF 2  
Dwg 81-3021B

EN 13-3508  
Revision-

## 6.0 MECHANICAL

Substrate Material:	Beryllium Oxide
Resistive Film:	Thin Film
Terminal Material:	Thick film, Nickel barrier Tin/Lead plated
Metric Dimensions:	Provided for reference only



Unless Otherwise Specified: TOLERANCE: X.XX = ± 0.02 X.XXX = ± 0.010