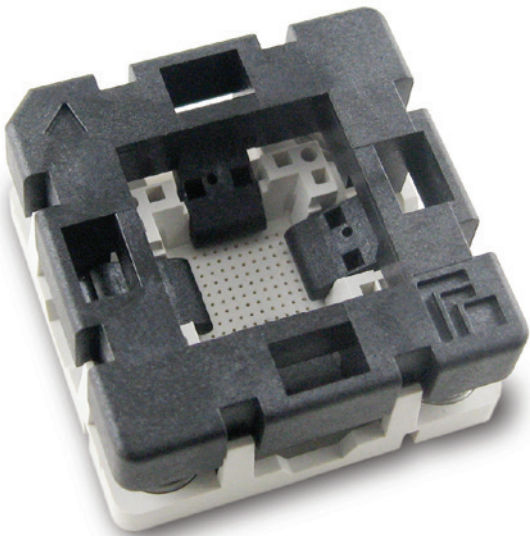


R-Series H-Pin Socket

Accelerated life testing solution



The R-Series product line is an open-top reliability socket used for accelerated life testing. With versions of the compression mount open-top design available as a drop-in replacement for other legacy products on the market, there is no need to purchase new burn-in boards.

The open-top design allows for autoloading, and un-loading of the integrated circuit. The small socket footprint outline allows you to utilize the full resources available in the burn-in system for each burn-in board.

Each socket uses the H-Pin™ contact technology providing wide RF performance capabilities and exceptional DC characteristics. The Q-Series socket checks all the boxes: high frequency, high current, high temperature, low inductance, and low loss. These features contribute to lower the cost of tests.

Burn-in sockets using H-Pin technology for high-reliability testing of next-generation IC packages

Benefits

- Industry-proven design, In-house tooling, molding and machining with 100% automated assembly.
- Extensive catalog of components, configurable options
- H-Pin offers unmatched DC performance.

Feature Options

- Auto IC loading / un-loading compatible
- High temperature materials for above 200 °C applications
- Drop-in replacement for legacy products

Series Type

RE

5 mm to 9 mm package size range for QFN, LGA, and BGA

R

10 mm to 14 mm package size range for QFN and LGA

- 10 mm to 13 mm package size range for BGA
- Drop in replacement for legacy designs

RL

16 mm to 19 mm package size range for QFN, LGA, and BGA

R-Series socket specifications

Mechanical properties

- Pitch: ≥ 0.35 mm
- Package size:
LGA: 2 mm to 19 mm
BGA: 2 mm to 19 mm
- Pin count: 200+
- Temperature: -55°C to 260°C

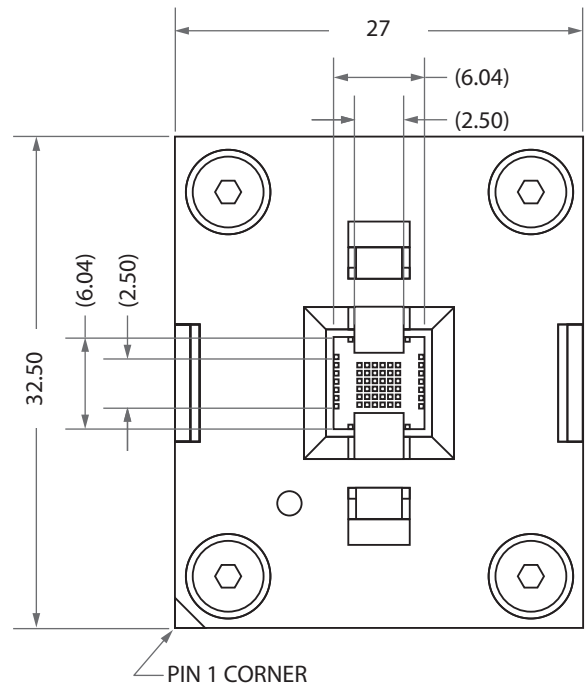
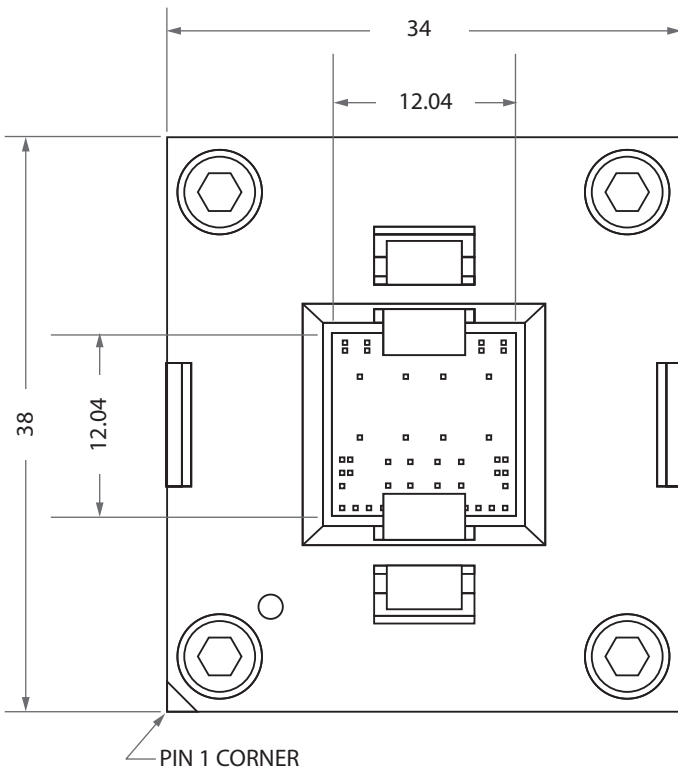
Electrical properties

- Contact resistance: 35 m Ω
- Current carrying capacity: up to 4 A

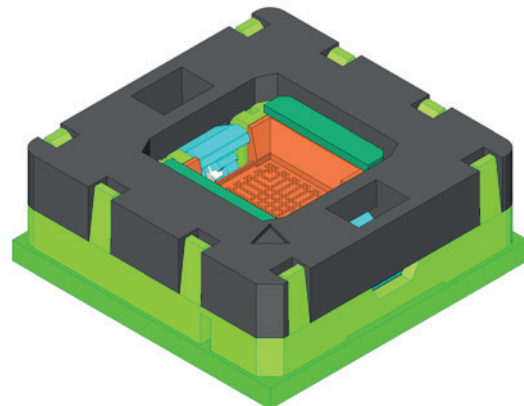
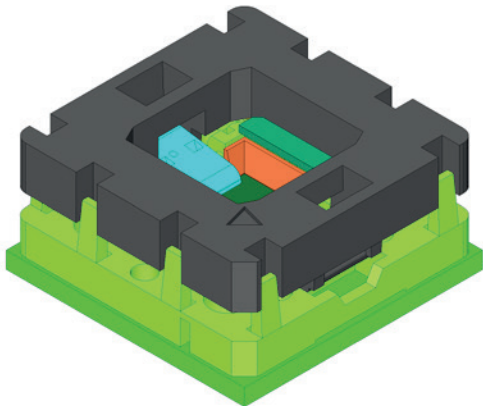
Materials

- Contact: BeCu/Au plated
- Spring: SS/Au plated
- Socket: Engineering plastics

R-Series socket dimensions



Dimensions are in mm.



more > smithsinterconnect.com | [in](#) [t](#) [v](#)