

EDD

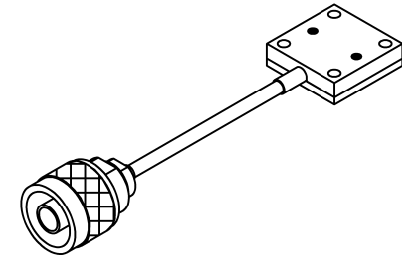
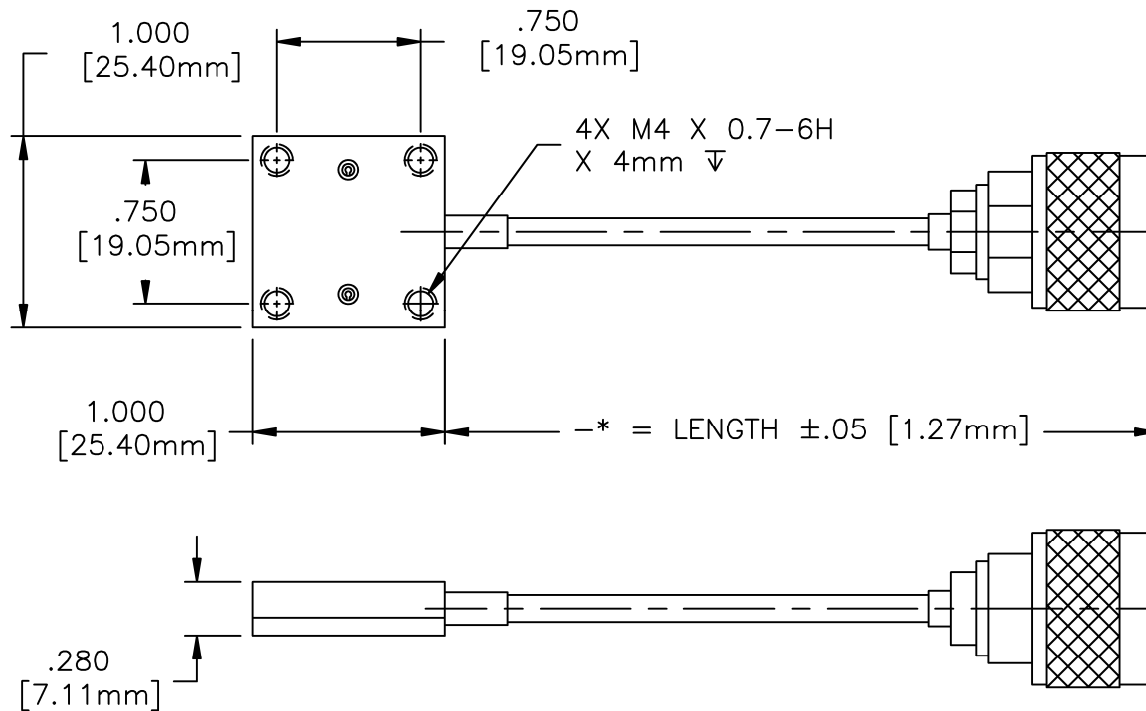
DRAWING NO.:

12-5061-*

REV.

B

NOTES:
UNLESS OTHERWISE SPECIFIED, TOLERANCES ARE $\pm .010$ " [0.254mm].



MATERIALS:


HOUSING: COPPER PER ASTM B301
COVER: ALUMINUM PER ASTM B221
SUBSTRATE: BERYLLIUM OXIDE
RESISTIVE FILM: NICHROME

FINISH:

HOUSING: TRI-METAL
COVER: YELLOW IRRIDITE PER MIL-C-5541

TECHNICAL:

NOMINAL IMPEDANCE (OHMS): 50
FREQUENCY RANGE (GHz): DC - 0.5
2.4 - 2.5
TEMPERATURE COEFFICIENT: < 200 PPM
OPERATING TEMPERATURE (°C): -55° TO +150°
VSWR (MAX): 1.20:1
AVERAGE POWER (WATTS): 500
DC RESISTANCE: 50.0 OHMS \pm 5%

				ECN# 01183	APVD OA	DATE 12/17/01	REFERENCE	 8851 OLD KANSAS AVE. STUART, FL. 34997 561-286-9300			
				UNLESS OTHERWISE SPECIFIED 1. DO NOT SCALE DRAWING 2. DIMENSIONS ARE IN INCHES 3. DIMENSIONS ARE AFTER PLATING 4. CORNERS, EDGES AND FILLETS: R MAX 5. SURFACE ROUGHNESS: 6. REMOVE ALL BURRS TOLERANCES .X \pm .XX \pm .XXX \pm ANGLES X° \pm			MATERIAL		TITLE		
									FINISH	TERMINATION, COAXIAL REMOTE, 500 WATT	
B	EN#10-F0015	RS 01/05/09		THE INFORMATION CONTAINED HEREIN IS: (A) CONSIDERED PROPRIETARY TO FLORIDA RF LABS INC.; (B) PROTECTED BY COPYRIGHT OWNED BY FLORIDA RF LABS INC.; (C) CONSIDERED A "WORK FOR HIRE" UNDER COPYRIGHT LAW; (D) PROTECTED BY TRADE SECRET LAWS WHICH MAKE ILLEGAL THE MISAPPROPRIATION OF THIS INFORMATION; AND (E) IS TO BE USED SOLELY FOR THE PURPOSE WHICH IT IS SUPPLIED. THIS INFORMATION SHALL NOT BE DISCLOSED IN WHOLE OR IN PART, TO ANY PARTY, FOR ANY REASON WITHOUT THE EXPRESS WRITTEN CONSENT OF A QUALIFIED EXECUTIVE OF FLORIDA RF LABS INC.			SCALE	CAGE CODE ID NO.	SIZE	DRAWING NO.:	REV.
A	EN#07-F0160	CRH 02/17/07					1/1	2Y194	A	12-5061-*	B
REV.	DESCRIPTION	DRAWN	APVD.	MFG:	MJK 01/03/02	CHKD.:	DR 01/12/02	DRAWN:	BLP 12/17/01	SHEET	OF