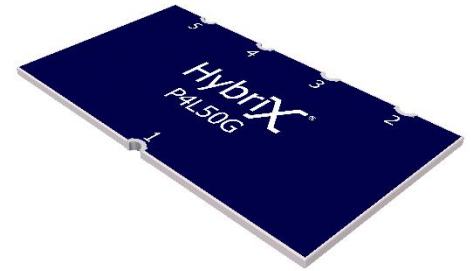


## ORDERING INFORMATION

PART IDENTIFIER: P4L50G



## SPECIFICATIONS

## 1. ELECTRICAL:

Frequency	Isolation	Insertion Loss	Amplitude Balance	Phase Balance	Power Handling
1.3 - 1.6 GHz	13 dB Min	0.70 dB Max	±0.2 dB Max	±7° Max	50 Watts
1.6 - 2.0GHz	13 dB Min	0.85 dB Max	±0.2 dB Max	±7° Max	50 Watts

VSWR: PORT 1 1.25:1 Max  
PORT 2, 3, 4, 5 1.20:1 Max for 1.3 – 1.6 GHz

## 2. ENVIRONMENTAL:

Operating Temperature: -55°C to +150°C

## 3. MARKING:

HybriX and part number

## 4. QUALITY ASSURANCE:

Sample Inspect Per MIL-STD-105, Level II, 1.0% AQL.

Visual and Mechanical Examination for Conformance to Outline Drawing Requirements.

Measure Amplitude Balance and VSWR

## Test Data Requirements

No Test Data Required

Data Retention – 12 months

## 5. PACKAGING:

Standard Packaging: Tray

Note: Specifications are subject to change.

## 6. MECHANICAL:

Substrate Material: Alumina  
Resistive Film: Thick film  
Terminal Material: Thick film, Nickel barrier solder plated  
Metric Dimensions: Provided for reference only

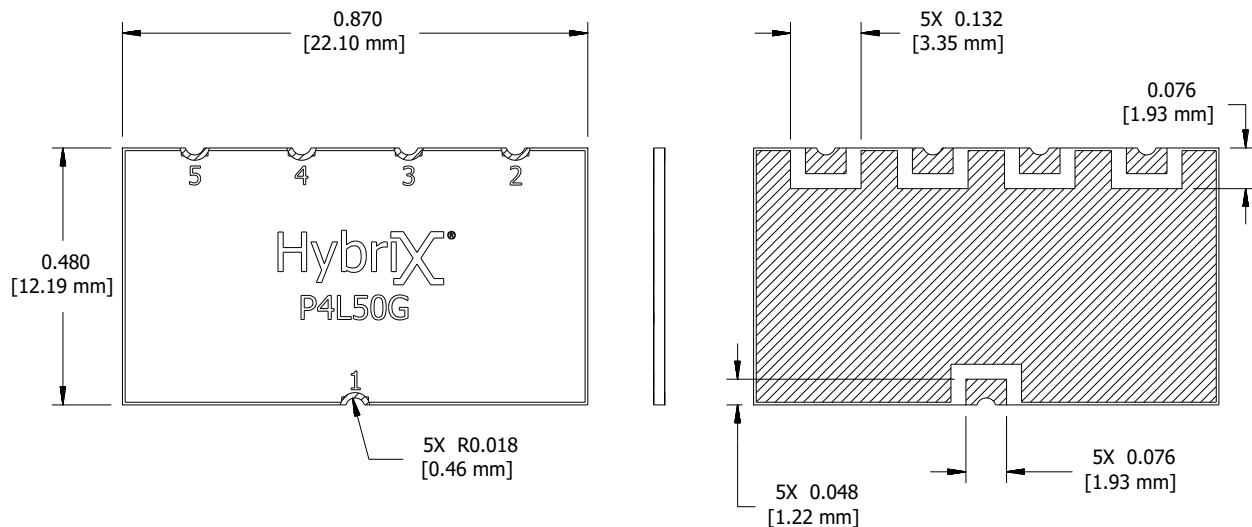
POWER DIVIDER 4 WAY 50 WATT

DATASHEET

PART SERIES: P4L50G

Sheet 2 of 2  
Doc# P4L50G

ECO-081747  
Revision C



Unless Otherwise Specified: TOLERANCE: X.XX = ± 0.02 X.XXX = ± 0.010

Note: Specifications are subject to change.