

EDD

NOTES:  
UNLESS OTHERWISE SPECIFIED, TOLERANCES ARE ± .010" [.254mm].

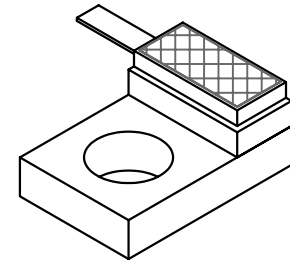
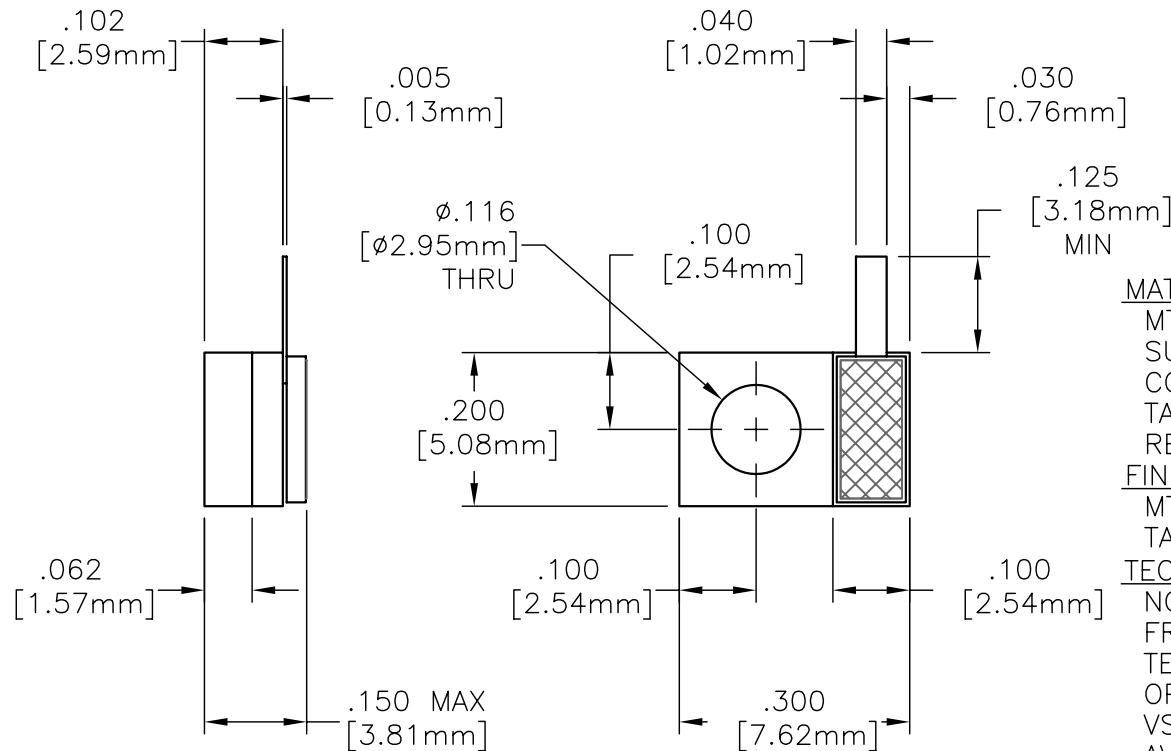
CAD#32-1041G

DRAWING NO.:

32-1041

REV.

G



MATERIALS:


MTG. FLANGE: OFHC 1/4 HD  
SUBSTRATE: BERYLLIUM OXIDE  
COVER: ALUMINA  
TAB: BERYLLIUM COPPER PER ASTM B194  
RESISTIVE FILM: NICHROME

FINISH:

MTG. FLANGE: NICKEL OVER COPPER  
TAB: TIN/LEAD PER MIL-T-10727

TECHNICAL:

NOMINAL IMPEDANCE (OHMS): 50  
FREQUENCY RANGE (GHz): DC-4.0  
TEMPERATURE COEFFICIENT: ± 200 PPM/°C MAX  
OPERATING TEMPERATURE (°C): -55° TO +150°  
VSWR (MAX): 1.35:1  
AVERAGE POWER (WATTS): 10  
DC RESISTANCE: 50.0 OHMS ± 5%

				ECN# N/A	APVD	DATE	REFERENCE	 8851 OLD KANSAS AVE. STUART, FL. 34997 772-286-9300			
G	ECN#01329	BLP 04/14/02		UNLESS OTHERWISE SPECIFIED 1. DO NOT SCALE DRAWING 2. DIMENSIONS ARE IN INCHES 3. DIMENSIONS ARE AFTER PLATING 4. CORNERS, EDGES AND FILLETS: R 5. SURFACE ROUGHNESS: 6. REMOVE ALL BURRS  TOLERANCES .X ± .XX ± .XXX ± ANGLES X° ±			CATALOG	TITLE <b>TERMINATION, FLANGE MOUNT, 10 WATT</b>			
F	ECN# N/A	-	-				MATERIAL			-	
E	ECN# N/A	-	-				FINISH			-	
D	ECN# N/A	-	-				SCALE			CAGE CODE ID NO.	SIZE
C	ECN# N/A	-	-				4/1			2Y194	A
B	ECN# N/A	-	-				DRAWING NO.:			32-1041	REV.
A	ECN# N/A	-	-					G			
REV.	DESCRIPTION	DRAWN	APVD.	THE INFORMATION CONTAINED HEREIN IS: (A) CONSIDERED PROPRIETARY TO FLORIDA RF LABS INC.; (B) PROTECTED BY COPYRIGHT OWNED BY FLORIDA RF LABS INC.; (C) CONSIDERED A "WORK FOR HIRE" UNDER COPYRIGHT LAW; (D) PROTECTED BY TRADE SECRET LAWS WHICH MAKE ILLEGAL THE MISAPPROPRIATION OF THIS INFORMATION; AND (E) IS TO BE USED SOLELY FOR THE PURPOSE WHICH IT IS SUPPLIED. THIS INFORMATION SHALL NOT BE DISCLOSED IN WHOLE OR IN PART, TO ANY PARTY, FOR ANY REASON WITHOUT THE EXPRESS WRITTEN CONSENT OF A QUALIFIED EXECUTIVE OF FLORIDA RF LABS INC.			MFG:	CHKD.:	DRAWN: BLP 04/14/02	SHEET OF	