

**TITLE: SPECIFICATION CONTROL DRAWING**

**PART IDENTIFIER:** 8435

**DESCRIPTION:** 50 OHM FLANGE LOAD

**ASSEMBLY DWG:** 2100044

**1.0 SPECIFICATIONS:**

- 1.1 ELECTRICAL:
  - 1.1.1 IMPEDANCE: 50 OHMS NOMINAL.
  - 1.1.2 FREQUENCY RANGE: DC-18 GHZ.
  - 1.1.3 INPUT POWER (MAX @ 60°C): (DERATED LINEARLY TO ZERO POWER @ 150°C)
    - 1.1.3.1 AVERAGE: 1 WATT.
    - 1.1.3.2 PEAK: 100 WATTS (100 US PULSE WIDTH AND 0.1% DUTY CYCLE).
  - 1.1.4 VSWR: DC TO 4.0 GHZ - 1.10 MAX.  
4.0 TO 8.0 GHZ - 1.15 MAX.  
8.0 TO 12.0 GHZ - 1.20 MAX.  
12.0 TO 18.0 GHZ - 1.30 MAX.
- 1.2 MECHANICAL:
  - 1.2.1 OUTLINE DWG: SEE SHEET 2.
- 1.3 ENVIRONMENTAL:
  - 1.3.1 TEMPERATURE RANGE:
    - 1.3.1.1 NON-OPERATING: -55°C TO +150°C.
    - 1.3.1.2 OPERATING: -55°C TO +150°C.
  - 1.3.2 VIBRATION: PER MIL-STD-202, METHOD 201 AND MIL-D-39030.
  - 1.3.3 SHOCK: PER MIL-STD-202, METHOD 213, COND. I.
  - 1.3.4 MOISTURE: PER MIL-STD-202, METHOD 106 AND MIL-D-39030 EXCEPT LOADING VOLTAGE IS NOT APPLICABLE.

**2.0 UNIT MARKING:** "EMCT"  
LEGIBILITY AND PERMANENCY PER MIL-STD-130.

**3.0 QUALITY ASSURANCE:**

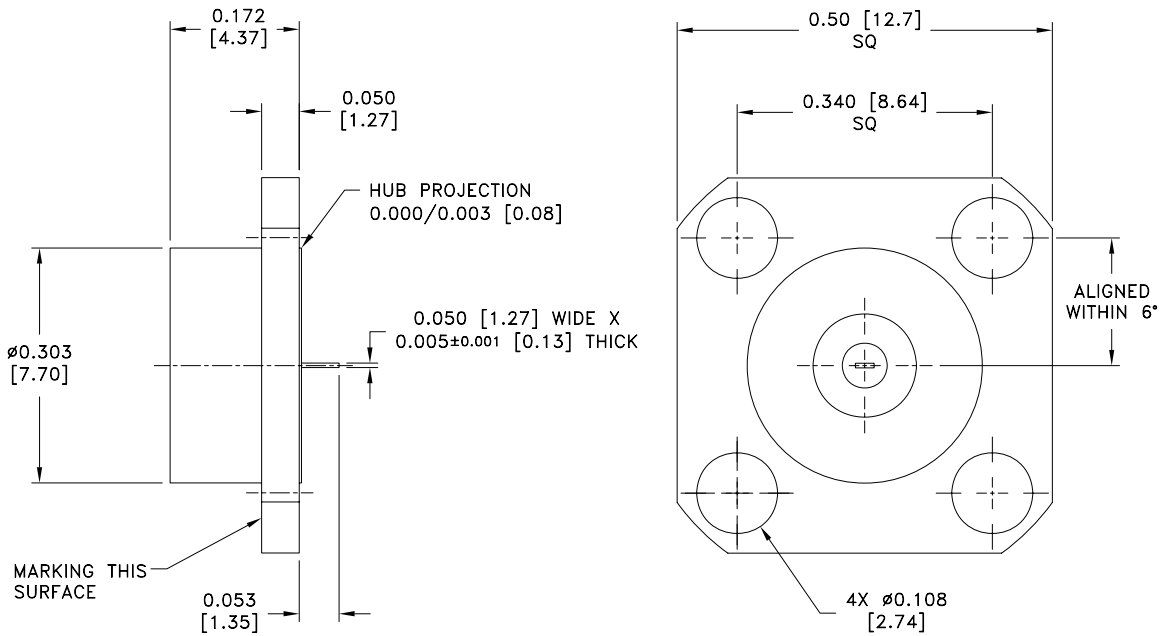
- 3.1 PERFORM INSPECTION IN ACCORDANCE WITH 824W170 AND 824F036 FOR COMMERCIAL GRADE PRODUCT.
- 3.2 TEST DATA REQUIREMENTS:
  - 3.2.1 NO TEST DATA REQUIRED FOR CUSTOMER.
  - 3.2.2 DATA RETENTION – 24 MONTHS.

**4.0 PACKAGING:** STANDARD PACK PER 755W002.

<b>EMC TECHNOLOGY</b> <b>8851 SW OLD KANSAS AVE</b> <b>STUART, FLORIDA 34997</b>	<b>CAGE CODE # 24602</b>		<b>DWG #</b>	1000225000
	<b>CHANGE NOTICE</b>	EN 10-0911	<b>REV LVL</b>	F
			<b>SHEET</b>	1 OF 2

PART ID REF

8435



**MECHANICAL SPECIFICATIONS:**

**FLANGE FACE CASE:**

MATERIAL - ALUMINUM ALLOY, QQ-A-250.  
FINISH - CHROMATE, MIL-C-5541.

**FLANGE HUB:**

MATERIAL - ALUMINUM ALLOY, QQ-A-225.  
FINISH - CHROMATE, MIL-C-5541.

**PIN:**

MATERIAL - BERYLLIUM COPPER, ASTM B197.  
FINISH - GOLD, MIL-G-45204, TYPE II, CLASS 1.

**DIELECTRIC:**

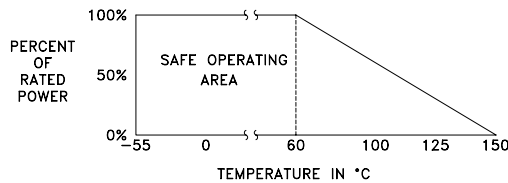
MATERIAL - TEFLON, ASTM D1710.

**CERAMIC:**

MATERIAL - ALUMINA, MIL-I-10.

METRIC EQUIVALENTS GIVEN IN [mm]  
FOR REFERENCE INFORMATION ONLY

**POWER RATING AND DERATING**



8851 SW OLD KANSAS AVE  
STUART, FL 34997  
PHONE NO. (772)286-9300  
FAX NO. (772)283-5286

UNLESS OTHERWISE SPECIFIED DIMENSIONS ARE IN INCHES

**TOLERANCES**

FRACT ---  
ANG ---  
XX ±0.01  
XXX ±0.005  
XXXX ---

THESE DRAWINGS AND SPECIFICATIONS ARE THE PROPERTY OF EMC TECHNOLOGY INC AND SHALL NOT BE DUPLICATED OR USED AS BASIS FOR THE MANUFACTURE OR SALE OF PARTS OR DEVICES WITHOUT PERMISSION.

CAGE CODE 24602	SCALE 1:1	DRAWN BY CME 08/15/2001	CHECKED BY	APPROVED BY DAR 8/21/01
REV F	CHANGE NOTICE EN 10-0911	DRAWING NO 1000225000	SHEET 2 OF 2	