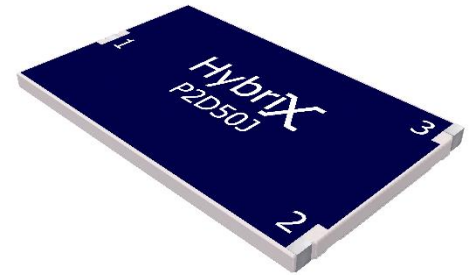


ORDERING INFORMATION

PART IDENTIFIER: P2D50J



SPECIFICATIONS

1. ELECTRICAL:

Frequency	Isolation	Insertion Loss	Amplitude Balance	Phase Balance	Power Handling
1.7 – 2.0 GHz	20 dB Min	0.30 dB Max	±0.20 dB Max	±2° Max	50 Watts

VSWR: PORT 1 1.40:1 Max
PORT 2,3 1.30:1 Max

Nominal Impedance: 50 Ω

2. ENVIRONMENTAL:

Operating Temperature: -55°C to +150°C

3. MARKING:

HybriX and part number

4. QUALITY ASSURANCE:

Sample Inspect Per MIL-STD-105, Level II, 1.0% AQL.

Visual and Mechanical Examination for Conformance to Outline Drawing Requirements.

Measure Amplitude Balance and VSWR

Test Data Requirements

No Test Data Required

Data Retention – 12 months

5. PACKAGING:

Standard Packaging: Tube

6. MECHANICAL:

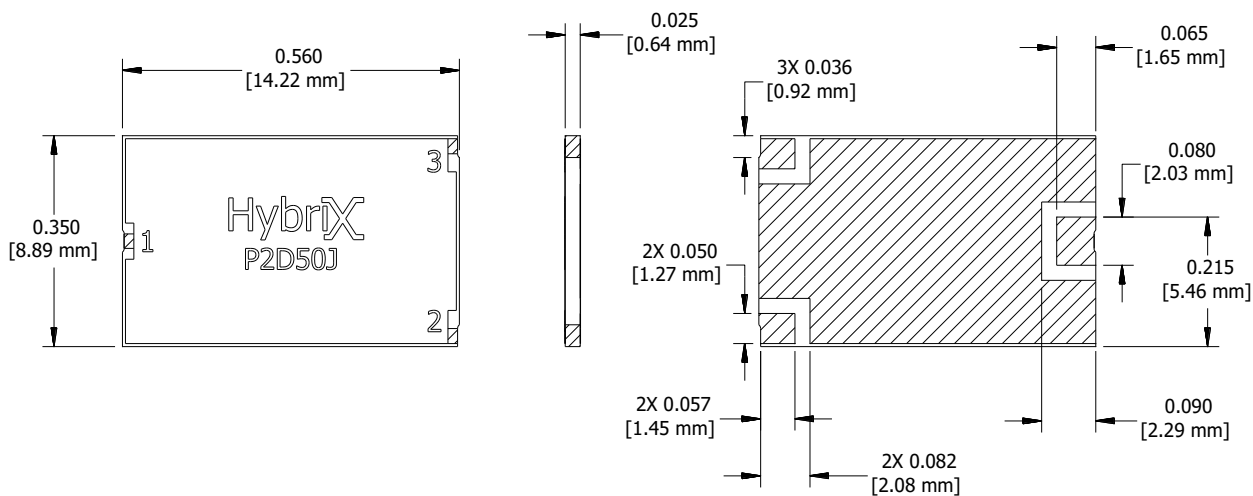
Substrate Material: Alumina
Resistive Film: Thick Film
Terminal Material: Thick Film, Nickel barrier solder plated
Metric Dimensions: Provided for reference only

POWER DIVIDER 2 WAY 50 WATT

DATASHEET PART SERIES: P2D50J

Sheet 2 of 2
Doc# P2D50J

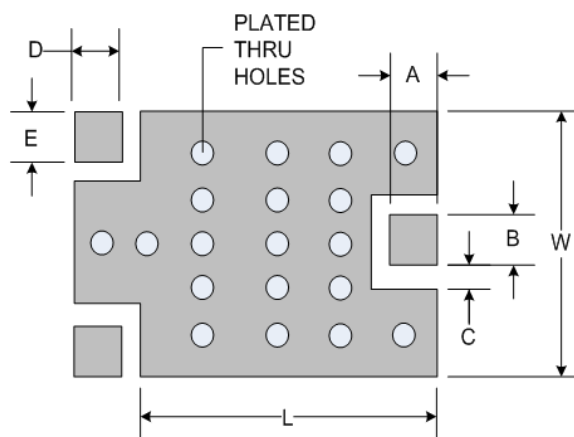
ECO-081747
Revision B



Unless Otherwise Specified: TOLERANCE: X.XX = ± 0.02 X.XXX = ± 0.010

Note: Specifications are subject to change.

7. FOOTPRINT:



Part Number	Inches							mm						
	A	B	C	D	E	W	L	A	B	C	D	E	W	L
P2D50J	0.070	0.085	0.020	0.065	0.055	0.350	0.480	1.78	2.16	0.51	1.65	1.40	8.89	12.19