

# ATTENUATOR CHIP 10 WATT



DATA SHEET

PART SERIES: 83-7014-XX.XX

SHEET 1 OF 2  
Dwg 82-7014

EN 13-3506  
Revision -

## FEATURES

- Small Footprint
- High Power
- Surface Mount
- Low VSWR
- Easy Installation
- Wide Attenuation Offering

## APPLICATIONS

- Mobile Networks
- Broadcast
- High Power Amplifiers
- Isolators/Circulators
- Military
- Instrumentation

## GENERAL DESCRIPTION

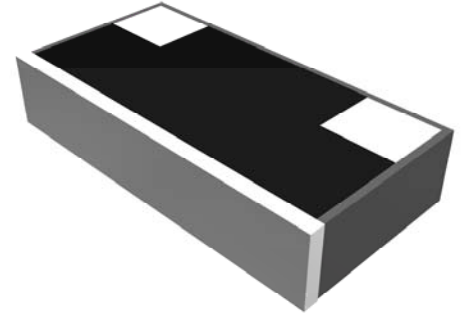
EMC Technology offers the widest selection of chip attenuators worldwide. Chip components are offered in Alumina, Aluminum Nitride, Beryllium Oxide, and CVD diamond for maximum performance.

## ORDERING INFORMATION

### Part Identifier:

83-7014-XX.XX

Attenuation Value



## SPECIFICATIONS

### 1.0 ELECTRICAL

Nominal Impedance:	50 ohms
Frequency Range:	DC - 3 GHz
Attenuation Values Available:	20 - 30 dB
Attenuation Accuracy:	20 dB $\pm 0.5$ dB 21 - 30 dB $\pm 1.5$ dB
Input Power CW:	10 watts @ 100°C heat sink, derated linearly to zero power at 150°C
Peak Power:	100 watts (based on 10us pulse width and 1% duty cycle)
VSWR:	20 dB 1.25:1 Max 21 - 30dB 1.30:1 Max

### 2.0 ENVIRONMENTAL

Operating Temperature:	-55°C to +150°C
Non-operating Temperature:	-65°C to +150°C
Temperature Coefficient:	+/-200 PPM / °C max

### 3.0 MARKING

Unit Marking:	None
---------------	------

### 4.0 QUALITY ASSURANCE

Sample Inspect Per MIL-STD-105, Level II, 1.0% AQL.

- Visual and Mechanical Inspection for Conformance to Outline Drawing
- Measure Attenuation and VSWR
- Data Retention - Standard

### 5.0 PACKAGING

Standard Packaging:	Tape and Reel
---------------------	---------------

# ATTENUATOR CHIP 10 WATT



DATA SHEET

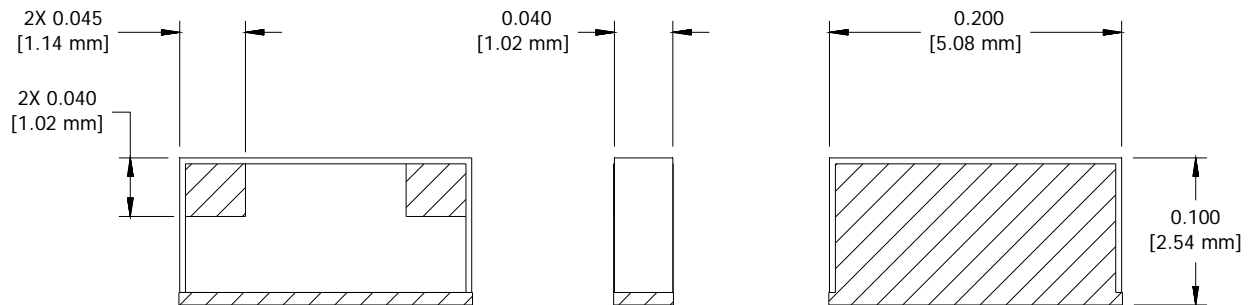
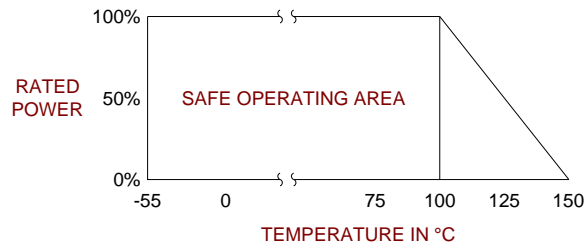
PART SERIES: 83-7014-XX.XX

SHEET 2 OF 2  
Dwg 82-7014

EN 13-3506  
Revision -

## 6.0 MECHANICAL

Substrate Material:	Aluminum Nitride
Resistive Film:	Thin Film
Terminal Material:	Thick film, Tin/Lead plated
Metric Dimensions:	Provided for reference only



Unless Otherwise Specified: TOLERANCE: X.XX =  $\pm 0.02$  X.XXX =  $\pm 0.010$