

UNLESS OTHERWISE SPECIFIED TOLERANCES ARE $\pm 0.005"$ (.127mm)

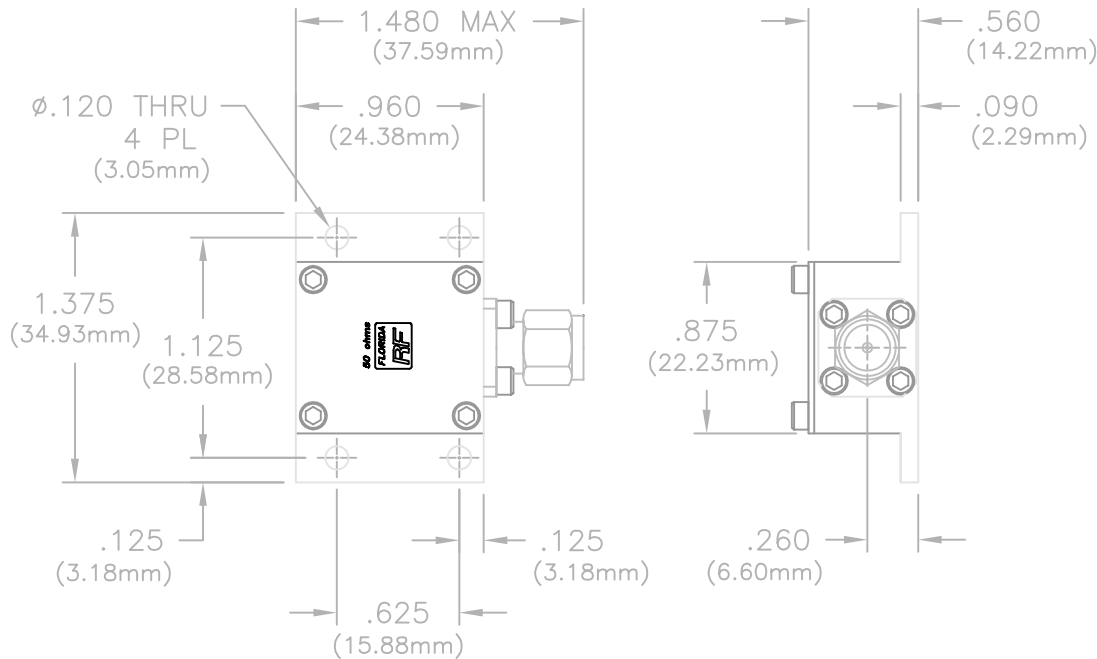
CAD#123007SM_2

DRAWING NO.

12-3007SM

REV.

N/C



MATERIALS:

BASE HOUSING: ALUMINUM
 SUBSTRATE: BERYLLIUM OXIDE
 RESISTIVE FILM: NICHROME
 SCREWS: STAINLESS STEEL
 CONNECTOR:

BODY & C. NUT: STAINLESS STEEL PER QQ-S-764
 CLASS 303 OR ASTM-A-582-80


CONTACT: BERYLLIUM COPPER PER QQ-C-530
 INSULATOR: TEFLON PER L-P-403 OR
 ASTM-D-1710

FINISH:

BASE HOUSING: NICKEL PER MIL-C-26074E
 CONNECTOR:

BODY & C. NUT: CORROSION RESISTANT IAW
 MIL-STD-202

CONTACT: GOLD PER MIL-G-45204B

				<p>UNLESS OTHERWISE SPECIFIED</p> <ol style="list-style-type: none"> DIMENSIONS ARE AFTER PLATING DIAMETERS ON COMMON C TO BE CONCENTRIC WITHIN <u> </u> T.I.R. SURFACE ROUGHNESS <input checked="" type="checkbox"/> CORNERS AND EDGES <u> </u> R. MAX. REMOVE BURRS AND BREAK SHARP EDGES <p>TOLERANCES</p> <table> <tr> <td>DECIMAL</td> <td>FRACTION</td> <td>ANGLES</td> </tr> <tr> <td>.X \pm</td> <td></td> <td></td> </tr> <tr> <td>.XX \pm</td> <td>\pm</td> <td>\pm</td> </tr> <tr> <td>.XXX \pm</td> <td></td> <td></td> </tr> </table> <p>ALL DIMENSIONS ARE IN INCHES</p>	DECIMAL	FRACTION	ANGLES	.X \pm			.XX \pm	\pm	\pm	.XXX \pm			REFERENCE	CATALOG		 <p>P.O. BOX 899 STUART, FL. 34995</p>
DECIMAL	FRACTION	ANGLES																		
.X \pm																				
.XX \pm	\pm	\pm																		
.XXX \pm																				
			MATERIAL	_____		TITLE	TERMINATION, SMA PLUG, 100 WATT													
			FINISH	_____																
				SCALE	CAGE CODE ID NO.	SIZE	DRAWING NO.	REV.												
				1X	2Y194	A	12-3007SM	N/C												
REV.	DESCRIPTION	DATE	APPR.	APPR.	CHK	DRAWN	GEC 04/01/98	SHEET 1 OF 2												

CAD#123007SM_3

DRAWING NO.

12-3007SM

REV.

N/C

REQUIREMENTS	RATING	REQUIREMENTS	RATING
NOMINAL IMPEDANCE (OHMS)	50	INTERFACE DIMENSIONS	MIL-STD-39012 /SMA Series
FREQUENCY RANGE (GHz)	DC - 3.0		
TEMPERATURE COEFFICIENT	LESS THAN 200 PPM	VIBRATION	MIL-STD-202 METHOD 204 COND. D (20 G's)
OPERATING TEMPERATURE (°C)	-55 TO +125		
VSWR (MAXIMUM)	DC - 3.0 GHz: 1.25:1	SHOCK	MIL-STD-202 METHOD 213 COND. 1 (100 G's)
AVERAGE POWER (WATTS)	100		
DC RESISTANCE	50 OHMS ± 5%	THERMAL SHOCK	MIL-STD-202 METHOD 107 COND. B (-65 TO +125)°C
		BAROMETRIC PRESSURE	MIL-STD-202 METHOD 105 COND. C
<p style="text-align: center;"><u>AVERAGE POWER DERATING</u></p>			

TITLE TERMINATION, SMA
PLUG, 100 WATT



P.O. BOX 899
Stuart, FL. 34995

DRAWN GEC 04/01/98

SHEET 2 OF 2

DRAWING NO.

12-3007SM

REV.

N/C