

**TITLE: SPECIFICATION CONTROL DRAWING**

**PART IDENTIFIER:** TS0500G KIT

**DESCRIPTION:** IP ATTENUATOR KIT  
1 THRU 10DB IN 1DB INCREMENTS, 5 PIECES EACH.

**ASSEMBLY DWG:** N/A

**1.0 SPECIFICATIONS:**

- 1.1 ELECTRICAL:
  - 1.1.1 IMPEDANCE: 50 OHMS NOMINAL.
  - 1.1.2 FREQUENCY RANGE: DC-18GHZ
  - 1.1.3 ATTENUATION ACCURACY: ±0.5DB @ 1 GHZ.
  - 1.1.4 VSWR: 1.30 MAX.
  - 1.1.5 INPUT POWER: 100 MILLIWATTS CW.
    - 1.1.5.1 FULL RATED POWER TO 125°C, DERATED LINEARLY TO 0 WATTS AT 150°C.
    - 1.1.5.2 PEAK POWER, 1 WATTS FOR 10US PULSE WIDTH @ 1% DUTY CYCLE.
- 1.2 MECHANICAL:
  - 1.2.1 OUTLINE DWG: SEE SHEET 2, FIGURE 1.
  - 1.2.2 WORKMANSHIP: PER MIL-R-55342.
- 1.3 ENVIRONMENTAL:
  - 1.3.1 ALTITUDE:
    - 1.3.1.1 NON-OPERATING: SEA LEVEL TO 50,000 FEET.
    - 1.3.1.2 OPERATING: SEA LEVEL TO 50,000 FEET.
  - 1.3.2 TEMPERATURE RANGE:
    - 1.3.2.1 NON-OPERATING: -55 C TO +150 C.
    - 1.3.2.2 OPERATING -55°C TO +150°C.
  - 1.3.3 VIBRATION: PER MIL-STD-202, METHOD 204, COND. D
  - 1.3.4 SHOCK: PER MIL-STD-202, METHOD 213, COND. I.
  - 1.3.5 MOISTURE RESISTANCE: PER MIL-STD-202, METHOD 106 EXCEPT SUBCYCLE STEPS 7a AND 7b AND POLARIZATION AND LOAD ARE NOT APPLICABLE.

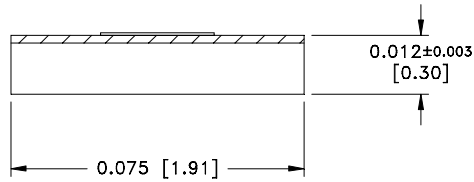
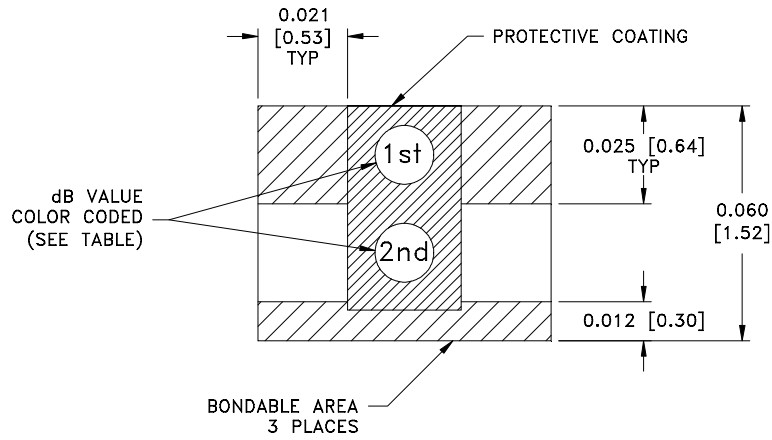
**2.0 UNIT MARKING:** MARK ONLY WITH COLOR DOT. LEGIBILITY AND PERMANENCY PER MIL-STD-130.

**3.0 QUALITY ASSURANCE:** N/A

**4.0 PACKAGING:** STANDARD WAFFLE PACK PER MC0023.

	INT	DATE		INT	DATE		INT	DATE	
CC			SALES			MFG			
MC			QA			ENG			
EMC TECHNOLOGY LLC 1971 OLD CUTHBERT ROAD CHERRY HILL, NJ 08034			CAGE CODE # 24602				DWG #	1003035000	
			CHANGE NOTICE	EN 99-038			REV LVL	A	
								SHEET	1

PART ID REF  
TSO5XXG KIT



MECHANICAL SPECIFICATIONS:  
TSO5XXG CHIP ATTENUATOR.



METRIC EQUIVALENTS GIVEN IN [mm]  
FOR REFERENCE INFORMATION ONLY

REFERENCE TABLE		
dB VAL	DOT COLOR	
	1st	2nd
1	BRN	---
2	RED	---
3	ORG	---
4	YEL	---
5	GRN	---
6	BLU	---
7	VIO	---
8	GRY	---
9	WHT	---
10	BRN	BLK

EMC TECHNOLOGY INC  
1971 OLD CUTHBERT RD  
CHERRY HILL NJ 08034  
PHONE NO. (856) 429-7800  
FAX NO. (856) 429-1807

UNLESS OTHERWISE SPECIFIED DIMENSIONS ARE IN INCHES TOLERANCES  
FRACT ---  
ANG ---  
XX ---  
XXX ±0.005  
XXXX ---

THESE DRAWINGS AND SPECIFICATIONS ARE THE PROPERTY OF EMC TECHNOLOGY INC AND SHALL NOT BE DUPLICATED OR USED AS BASIS FOR THE MANUFACTURE OR SALE OF PARTS OR DEVICES WITHOUT PERMISSION.

CAGE CODE 24602	SCALE 32:1	DRAWN BY EMV	CHECKED BY CSS 2-9-99	APPROVED BY DAR 2-9-99
REV A	CHANGE NOTICE EN 99-038	DRAWING NO 1003035000	SHEET 2 OF 2	