

ATTENUATOR

COAXIAL DC- 12.4 GHz SMA



DATA SHEET

PART SERIES: 42XXF

SHEET 1 OF 2
Dwg 1011665

EN 14-1970
Revision A

FEATURES

- Superior Attenuation Accuracy
- Low VSWR
- Rugged Construction
- MIL-DTL-3933
- High Reliability

APPLICATIONS

- Amplifier Stabilization
- Improve VSWR Between Stages
- Balance Channels
- Overload Protection
- Set Amplification Gain/Power
- Sample Output Power
- Military



GENERAL DESCRIPTION

Florida RF Labs Coaxial Attenuators offer superior attenuation accuracy, with extended broadband frequency operation. This series is manufactured with stainless steel body and rugged construction for the most demanding environments.

ORDERING INFORMATION

Part Identifier:

42XXF

Attenuation Value

SPECIFICATIONS

1.0 ELECTRICAL

- Nominal Impedance: 50 ohms
- Frequency Range: DC – 12.4 GHz
- Attenuation Values Available: 0 – 20 dB in 1 dB increments
- Attenuation Accuracy: See Table 1
- Input Power CW: 2 Watts @ 25°C heat sink, derated linearly to zero power at 125°C
- Peak Power: 20 Watts (based on 10us pulse width and 1% duty cycle)
- VSWR: See Table 1

TABLE 1			
ATTENUATION ACCURACY (dB)			
dB VALUE	DC – 4 GHz	4 – 8 GHz	8 – 12.4 GHz
0	-0, +0.3	-0, +.5	-0, +.5
1 – 3	± 0.3	± 0.5	± 0.75
4 – 6	± 0.4	± 0.8	± 1.0
7 – 10	± 0.5	± 0.9	± 1.0
11 – 15	± 0.75	± 1.0	± 2.0
16 - 20	± 1.0	± 1.0	± 2.0
VSWR (MAX)			
dB VALUE	DC – 4 GHz	4 – 12.4 GHz	
0 - 20	1.2:1 Max	1.3:1 Max	

ATTENUATOR COAXIAL DC- 12.4 GHz SMA



DATA SHEET

PART SERIES: 42XXF

SHEET 1 OF 2
Dwg 1011665

EN 14-1970
Revision A

2.0 ENVIRONMENTAL

Operating Temperature:	-55°C to +125°C
Non-operating Temperature:	-65°C to +150°C
Temperature Coefficient:	+/-200 PPM / °C max

3.0 MARKING

Unit Marking: Logo, dB Value and frequency, legibility and permanency per MIL-STD-130

4.0 QUALITY ASSURANCE

Sample Inspect Per MIL-STD-105, Level II, 1.0% AQL₂

Visual and Mechanical Examination for Conformance to Outline Drawing

Measure Attenuation and VSWR

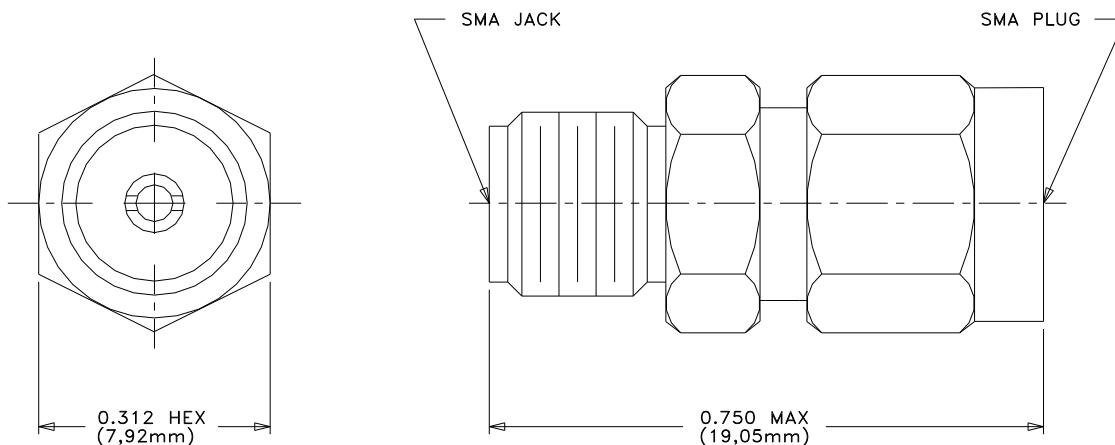
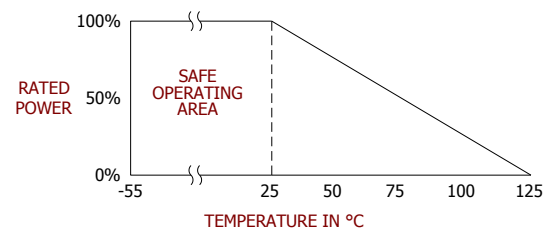
Data Retention – Standard

5.0 PACKAGING

Standard Packaging: Tube

6.0 MECHANICAL

Body and Nut Material:	Stainless Steel
Body and Nut Finish:	Passivated
Center Contact Material:	Beryllium Copper
Center Contact Finish:	Gold Plated
Dielectric:	Teflon
Resistive Element:	Thick Film
Torque:	8 in-lbs maximum
Metric Dimensions:	Provided for reference only



Unless Otherwise Specified: TOLERANCE: X.XX = ± 0.01 X.XXX = ± 0.005