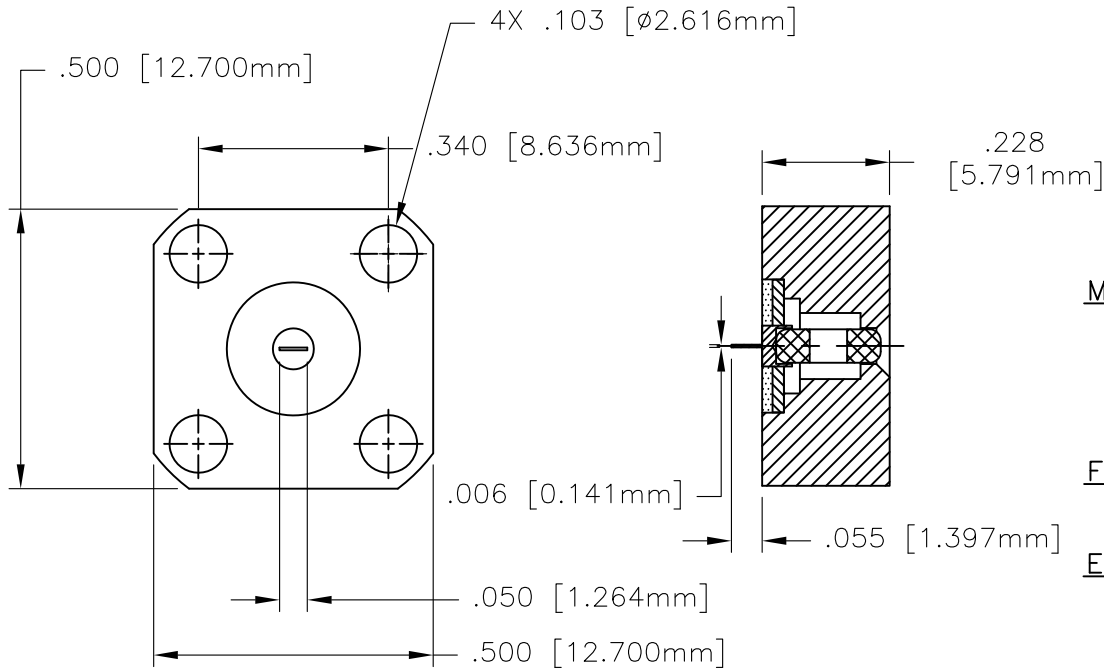


EDD

NOTES:
UNLESS OTHERWISE SPECIFIED, TOLERANCES ARE $\pm .010"$ [.254mm].

DRAWING NO.:
42-1032

REV.
E



MATERIALS:


BODY: COPPER PER ASTM B301
CONTACT: BERYLLIUM COPPER
INSULATOR: TEFLON PER MIL-P-19468
SUBSTRATE: BeO
RESISTIVE FILM: THIN FILM

FINISH:

BODY: NICKEL PER QQ-N-290A
CONTACT: GOLD PER MIL-G-45204B

ELECTRICAL: (TERMINATION)

NOMINAL IMPEDANCE: 50 OHMS
FREQUENCY RANGE: DC-12.4 GHz
VSWR: (MAX) 1.30:1
AVERAGE POWER: 15 WATTS
DC RESISTANCE: $50 \pm 5\%$ OHMS
TEMPERATURE COEFFICIENT: ± 200 PPM MAX
OPERATING TEMPERATURE: -55° TO $+150^\circ$ ($^\circ\text{C}$)

				EN# 07-F0457	APVD	DATE	REFERENCE	 8851 OLD KANSAS AVE. STUART, FL. 34997 772-286-9300				
				UNLESS OTHERWISE SPECIFIED 1. DO NOT SCALE DRAWING 2. DIMENSIONS ARE IN INCHES 3. DIMENSIONS ARE AFTER PLATING 4. CORNERS, EDGES AND FILLETS: R.XXX MAX 5. SURFACE ROUGHNESS: 63 6. REMOVE ALL BURRS			CATALOG	TITLE TERMINATION, TYPE SMA, FLANGE 15 W, TAB CONTACT				
							MATERIAL			—		
				TOLERANCES .X \pm .XX \pm .XXX \pm			FINISH	—				
				ANGLES X° \pm X°			SCALE	CAGE CODE ID NO.	SIZE	DRAWING NO.:	REV.	
E	13-2267	VL	07/08/13	THE INFORMATION CONTAINED HEREIN IS: (A) CONSIDERED PROPRIETARY TO FLORIDA RF LABS INC.; (B) PROTECTED BY COPYRIGHT OWNED BY FLORIDA RF LABS INC.; (C) CONSIDERED A "WORK FOR HIRE" UNDER COPYRIGHT LAW; (D) PROTECTED BY TRADE SECRET LAWS WHICH MAKE ILLEGAL THE MISAPPROPRIATION OF THIS INFORMATION; AND (E) IS TO BE USED SOLELY FOR THE PURPOSE WHICH IT IS SUPPLIED. THIS INFORMATION SHALL NOT BE DISCLOSED IN WHOLE OR IN PART, TO ANY PARTY, FOR ANY REASON WITHOUT THE EXPRESS WRITTEN CONSENT OF A QUALIFIED EXECUTIVE OF FLORIDA RF LABS INC.			2/1	2Y194	A	42-1032	E	
D	09-F0709	CRH	07/17/09				MFG:	CHKD.:	DRAWN: CRH	05/21/07	SHEET	OF
C	09-F0020	OJC	01/15/09									
B	08-F0808	OJC	09/04/08									
REV.	DESCRIPTION	DRAWN	APVD.									