

# TERMINATION, FLANGE MOUNT CVD DIAMOND 100 WATTS



DATA SHEET

PART SERIES: CT1310DHRT

SHEET 1 OF 2  
Dwg 1013195

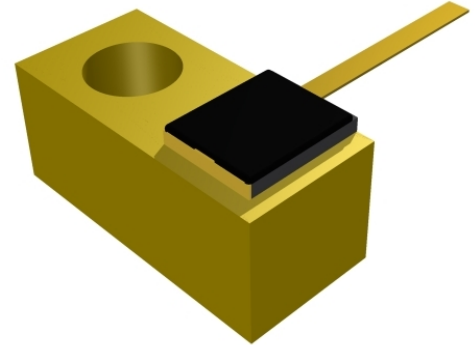
EN 13-3904  
Revision -

## FEATURES

- Small Size - Light Weight
- Highest Thermal Performance
- Excellent Peak Power Capability
- Rugged Passivated TaN Film
- Moisture Resistant
- Pure Gold Input Pads
- Solderable
- High Power

## APPLICATIONS

- Broadcast
- High Power Filters
- High Power Amplifiers
- Instrumentation
- Isolators
- Military
- Satellite Communications
- Phased Array Radar



## GENERAL DESCRIPTION

CVD Diamond Terminations offer extremely high power ratings and smallest size watt-per-watt of any termination on the planet. These terminations are ideal for military and space applications because of their high power capability, broad frequency response and small, light-weight size. They are ideal for peak power applications. They are manufactured using all thin film construction and have a pure thin film gold finish that is both wire bondable and solderable. They can be supplied with or without solderable tabs. High reliability tested versions per MIL-PRF-55342 are also available. These products are lead free, RoHS compliant and S-level approved. They also meet NASA out-gassing requirements for space applications.

## ORDERING INFORMATION

**Part Identifier:** CT1310DHRT

## SPECIFICATIONS

### 1.0 ELECTRICAL

Nominal Impedance:	50 $\Omega$
Frequency Range:	DC – 14 GHz
Input Power CW:	100 Watts
Peak Power:	1000 Watts (1 $\mu$ s pulse width/1% duty cycle)
VSWR:	DC – 10 GHz 1.3:1 Max
VSWR:	10 – 14 GHz 1.6:1 Max

### 2.0 ENVIRONMENTAL

Operating Temperature:	-55°C to +125°C
Non-operating Temperature:	-55°C to +150°C
Temperature Coefficient:	$\pm$ 200 PPM/°C Max

### 3.0 MARKING

Unit Marking:	None
---------------	------

### 4.0 QUALITY ASSURANCE

Sample Inspect Per MIL-STD-105, Level II, 1.0% AQL.  
Visual and Mechanical Inspection for Conformance to Outline Drawing  
Measure DC Resistance  
Data Retention - Standard

### 5.0 PACKAGING

Standard:	Jewel Case
-----------	------------

# TERMINATION, FLANGE MOUNT CVD DIAMOND 100 WATTS



DATA SHEET

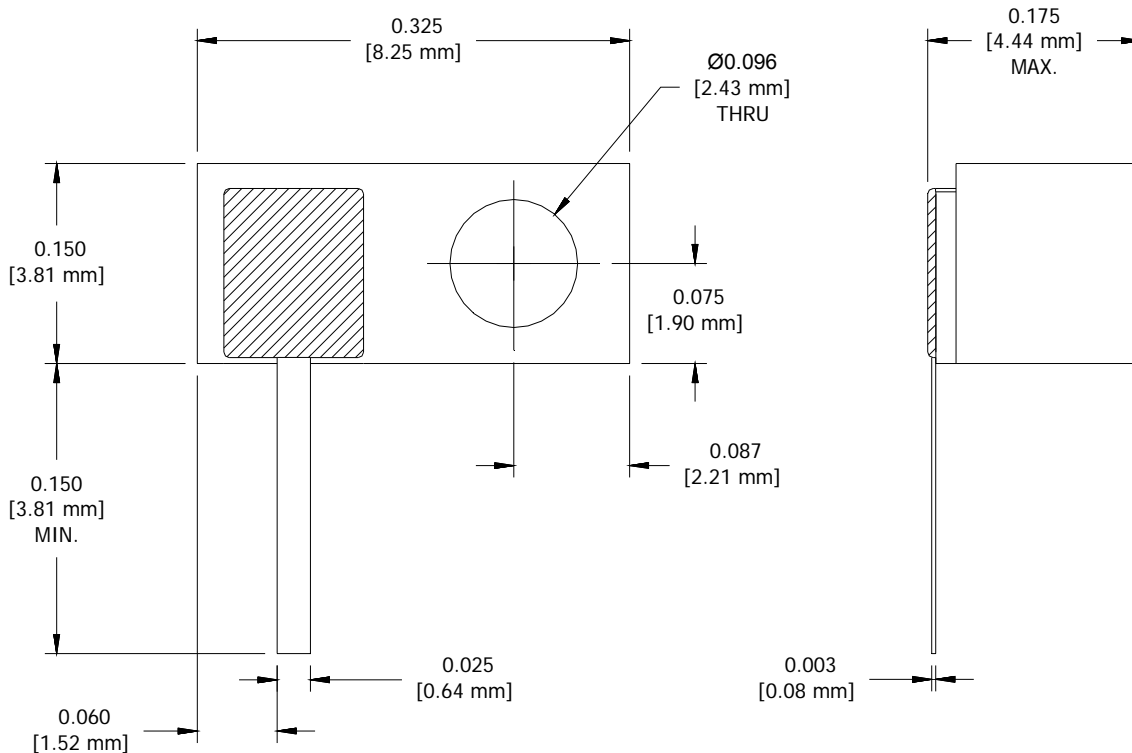
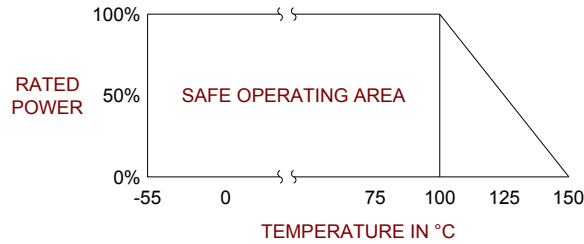
PART SERIES: CT1310DHRT

SHEET 2 OF 2  
Dwg 1013195

EN 13-3904  
Revision -

## 6.0 MECHANICAL

Substrate Material:	CVD Diamond
Resistive Element:	Passivated TaN
Metallization:	Copper, Gold over Nickel
Flange:	Copper, Gold over Nickel
Metric Dimensions:	Provided for reference only



Unless Otherwise Specified: TOLERANCE: X.XX = ± 0.01 X.XXX = ± 0.005