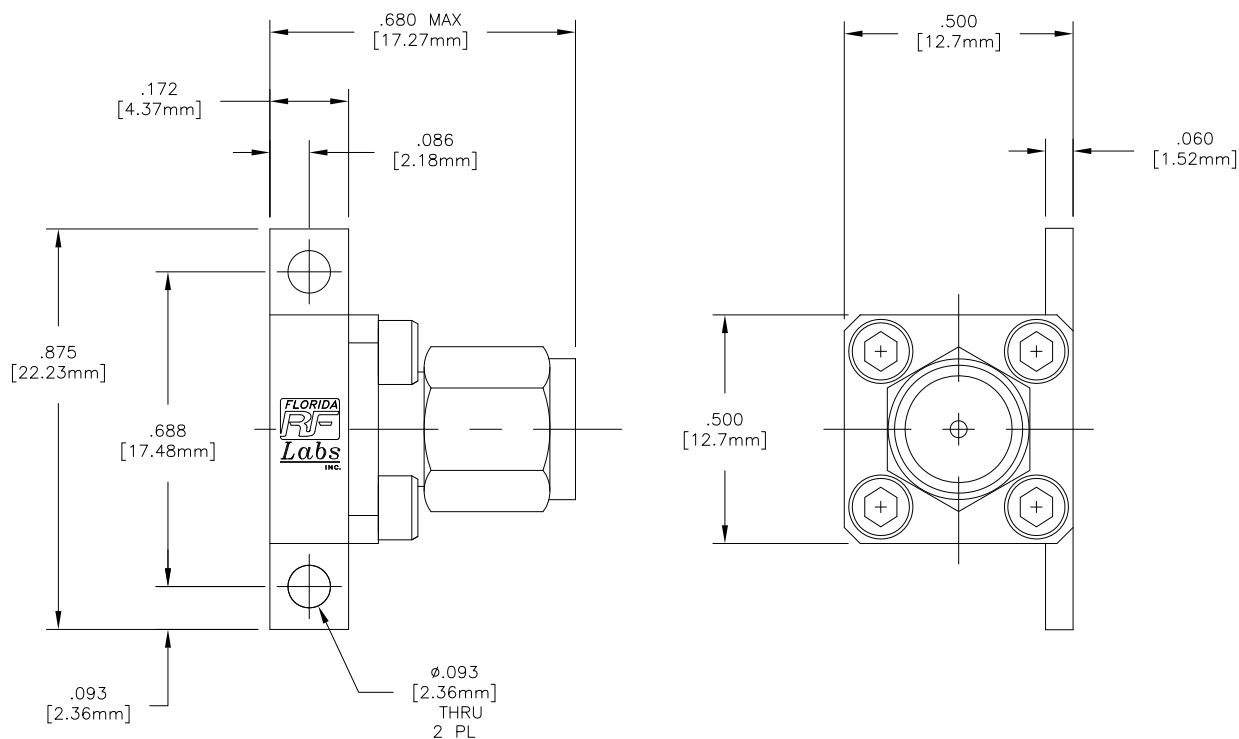


NOTE:
UNLESS OTHERWISE SPECIFIED TOLERANCES ARE ± .005 (.127mm)



MATERIALS:

- BASE HOUSING: ALUMINUM
- SUBSTRATE: BERYLLIUM OXIDE
- RESISTIVE FILM: NICHROME
- SCREWS: STAINLESS STEEL
- CONNECTOR:
 - BODY & C NUT: STAINLESS STEEL PER QQ-S-764
 - CONTACT: BERYLLIUM COPPER PER QQ-C-530, COND.H, ALLOY 173
- INSULATOR: TEFLON PER MIL-P-19468
- GASKET: SILICONE RUBBER PER ZZ-R-765

FINISH:

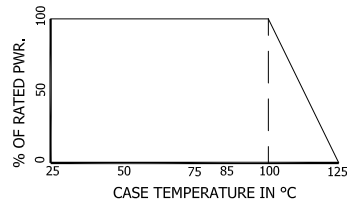
- BASE HOUSING: NICKEL PER QQ-N-290A
- CONNECTOR:
 - BODY & C NUT: CORROSION RESISTANT IAW MIL-STD-202
 - CONTACT: GOLD PER MIL-G-45204B

 8851 SW OLD KANSAS AVE STUART, FL 34997 PHONE NO. (772) 286-9300 FAX NO. (772) 283-5286	UNLESS OTHERWISE SPECIFIED 1. DO NOT SCALE DRAWING 2. DIMENSIONS ARE IN INCHES 3. DIMENSIONS ARE AFTER PLATING 4. CORNERS, EDGES AND FILLETS: R 0.005 MAX 5. SURFACE ROUGHNESS: N/A 6. REMOVE ALL BURRS	TITLE <p style="text-align: center;">TERMINATION, SMA PLUG, 25 WATT</p>				
	TOLERANCES X.XX ± 0.01 X.XXX ± 0.010 FRACTIONS ± 1/16 X.XXXX ± 0.0005 ANGLES ± 5°	DRAWING NUMBER <p style="text-align: center;">12-3022SM</p>				
THESE DRAWINGS AND SPECIFICATIONS ARE THE PROPERTIES OF EMC TECHNOLOGY AND FLORIDA RF LABS AND SHALL NOT BE DUPLICATED OR USED AS BASIS FOR THE MANUFACTURE OR SALES OF PARTS OR DEVICES WITHOUT PERMISSION. REFERENCE / MACOLA NO. -	MATERIAL -	FINISH -	EMC CAGE CODE 24602	RF CAGE CODE 2Y194	PLOT SCALE N/A	SHEET 1 OF 2

G	06/25/13	VL	13-1949
F	05/13/13	NOA	13-1627
E	03/19/13	NOA	13-0948
D	3/6/13	TS	13-0757
C	10/23/07	MCS	07-F1065
REV	DATE	BY	EN NUMBER

ELECTRICAL REQUIREMENTS	RATING	PARTS SHALL BE DESIGNED TO BE CAPABLE OF MEETING THESE REQUIREMENTS	RATING
NOMINAL IMPEDANCE (OHMS)	50	INTERFACE DIMENSIONS	MIL-STD-39012 /SMA Series
FREQUENCY RANGE (GHz)	DC - 18.0		
VSWR (MAXIMUM)	DC - 18.0 GHz: 1.25:1	VIBRATION	MIL-STD-202 METHOD 204 COND. D (20 G's)
AVERAGE POWER (WATTS)	25		
DC RESISTANCE	50 OHMS ±5%	SHOCK	MIL-STD-202 METHOD 213 COND. 1 (100 G's)
		THERMAL SHOCK	MIL-STD-202 METHOD 107 COND. B (-65 TO +125)°C
		BAROMETRIC PRESSURE	MIL-STD-202 METHOD 105 COND. C
		TEMPERATURE COEFFICIENT	LESS THAN 200 PPM
<p>AVERAGE POWER DERATING</p>		OPERATING TEMPERATURE (°C)	-55 TO +125

AVERAGE POWER DERATING



	UNLESS OTHERWISE SPECIFIED 1. DO NOT SCALE DRAWING 2. DIMENSIONS ARE IN INCHES 3. DIMENSIONS ARE AFTER PLATING 4. CORNERS, EDGES AND FILLETS; R 0.005 MAX 5. SURFACE ROUGHNESS: N/A 6. REMOVE ALL BURRS	TITLE			
	TERMINATION, SMA PLUG, 25 WATT				
THESE DRAWINGS AND SPECIFICATIONS ARE THE PROPERTIES OF EMC TECHNOLOGY AND FLORIDA RF LABS AND SHALL NOT BE DUPLICATED OR USED AS BASIS FOR THE MANUFACTURE OR SALES OF PARTS OR DEVICES WITHOUT PERMISSION. REFERENCE / MACOLA NO.	TOLERANCES X.XX ± 0.01 X.XXX ± 0.010 FRACTIONS ± 1/16 X.XXXX ± 0.0005 ANGLES ± 5°	DRAWING NUMBER			
		12-3022SM			
MATERIAL	FINISH	EMC CAGE CODE	RF CAGE CODE	PLOT SCALE	SHEET
-	-	24602	2Y194	N/A	2 OF 2

G	06/25/13	VL	13-1949
F	05/13/13	NOA	13-1627
E	03/19/13	NOA	13-0948
D	3/6/13	TS	13-0757
C	10/23/07	MCS	07-F1065
REV	DATE	BY	EN NUMBER