

TERMINATION CHIP 50 WATT



DATA SHEET

PART SERIES: CT0505

SHEET 1 OF 2
Dwg 1008715

EN 16-0877
Revision E

FEATURES

Wide Band Operation
High Power
Direct Attached
Low VSWR
Easy installation

APPLICATIONS

Mobile Networks
Broadcast
High Power Amplifiers
Isolators
Military
Instrumentation



GENERAL DESCRIPTION

EMC Technology offers the widest selection of chip terminations worldwide. Chip components are offered in both thick and thin film resistive material and available in Alumina, Aluminium Nitride, Beryllium Oxide and CVD Diamond.

ORDERING INFORMATION

Part Identifier: CT0505

SPECIFICATIONS

1.0 ELECTRICAL

Nominal Impedance:	50 ohms
Frequency Range:	DC- 4 GHz
VSWR:	1.25:1 Max
Input Power CW:	Heat Sink 100°C: 50 Watts. (Derate Power Linearly to 0 Watts @ 125°C)
Peak Power:	500 Watts (Based on 100 µs pulse width and 1% duty cycle)
DC Resistance:	50 Ω ± 5%

2.0 ENVIRONMENTAL

Operating Temperature:	-55°C to +150°C
Non-operating Temperature:	-55°C to +150°C
Temperature Coefficient:	+/-200 PPM / °C max

3.0 MARKING

Unit Marking:	None
---------------	------

4.0 QUALITY ASSURANCE

Visual and Mechanical Inspection:	Per 824W107
DC Resistance Check:	100% DC Resistance Check
Data Retention:	Standard

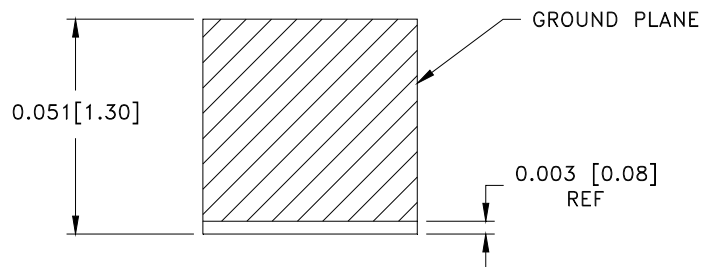
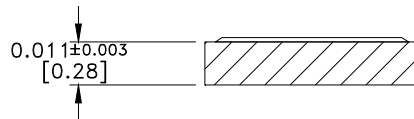
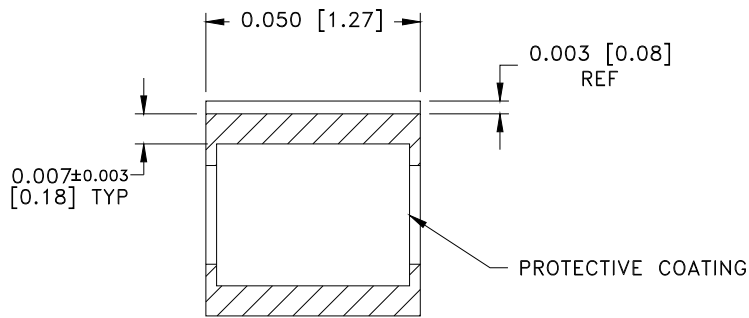
5.0 PACKAGING

Standard Packaging:	Standard pack per 755W002
---------------------	---------------------------

TERMINATION CHIP 50 WATT

6.0 MECHANICAL

Substrate Material:	Beryllia
Resistive Film:	Thick Film
Terminal Material:	Thick Film, Nickel Barrier, Solder Plating
Workmanship:	Per MIL-STD-454, requirement 9.
Metric Dimensions:	Provided for reference only



Unless Otherwise Specified: TOLERANCE: X.XX = ± 0.01 X.XXX = ± 0.005