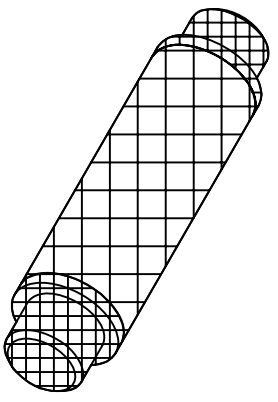
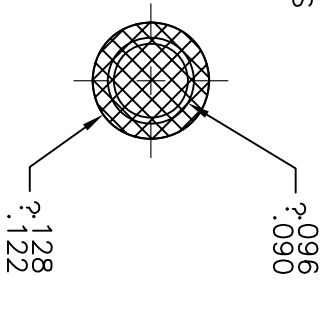
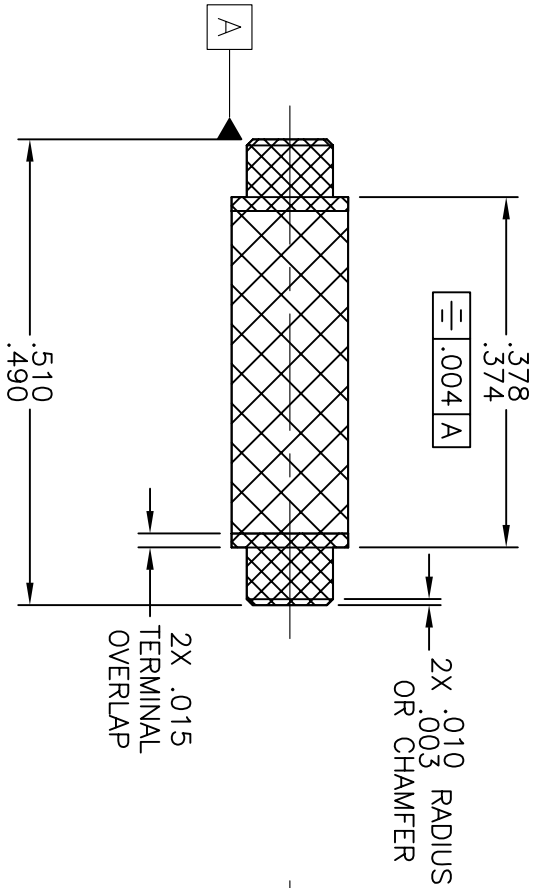


ORIGINAL

DRAWING NO.: R125-500A2-* REV. C

NOTES:
 *1. REFER TO F.O. FOR RESISTANCE VALUE AND TOLERANCE.
 2. SILVER PLATING PER 010-01-016.



MARKEM 7224 INK/NiCr = Ag/Cu/Ni =

REV.	DESCRIPTION	DRAWN	APVD.	REV.	DESCRIPTION	DRAWN	APVD.
A	ECN#00486	BLP 12/11/00	MTG 12/15/00	B	ECN#00935	BLP 05/13/02	
C	EN 08-F0016	MCS 1/16/08					

1	1	S125-500A2-*	RESISTOR, ROD
ITEM	QTY	PART NO.	DESCRIPTION
REFERENCE			
MATERIAL			
FINISH			

SCALE	CAGE CODE ID NO.	SIZE	DRAWING NO.:
5/1	2Y194	A	R125-500A2.*
APVD: MJK 12/13/00	CHKD: NAK 06/18/95	DRAWN: MTK 08/21/85	SHEET OF

RISE#:	00483	APVD	DATE
		MTG	08/21/85

UNLESS OTHERWISE SPECIFIED

- DO NOT SCALE DRAWING
- DIMENSIONS ARE IN INCHES
- DIMENSIONS ARE AFTER PLATING
- CORNERS, EDGES AND FILLETS: R .005 MAX
- SURFACE ROUGHNESS: 63/
- REMOVE ALL BURRS

TOLERANCES

X ± ANGLES X ±
 .XX ± .005
 .XXX ±

THE INFORMATION CONTAINED HEREIN IS PROPRIETARY TO FLORIDA RF LABS, INC. AND IS TO BE USED SOLELY FOR THE PURPOSE WHICH IT IS SUPPLIED. IT SHALL NOT BE DISCLOSED IN WHOLE OR IN PART, TO ANY OTHER PARTY, WITHOUT THE EXPRESS PERMISSION IN WRITING BY FLORIDA RF LABS, INC.

P.O. BOX 899
STUART, FL. 34995

TITLE
RESISTOR, ROD