

PRE-BENT CABLE TO FORM SMA RIGHT ANGLES

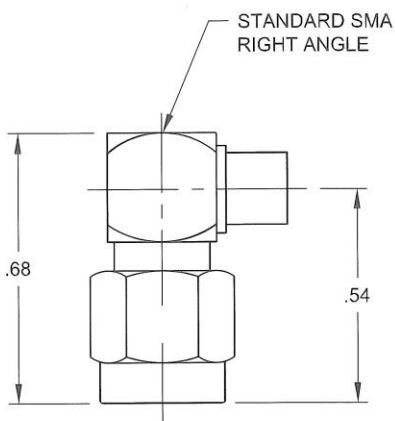
Application
Note

SMA RIGHT ANGLES

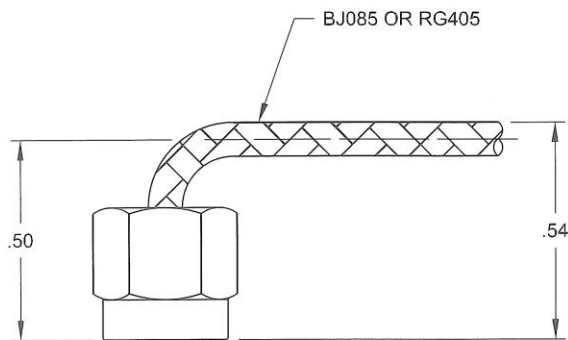
SHEET 1 OF 1

6/25/2014

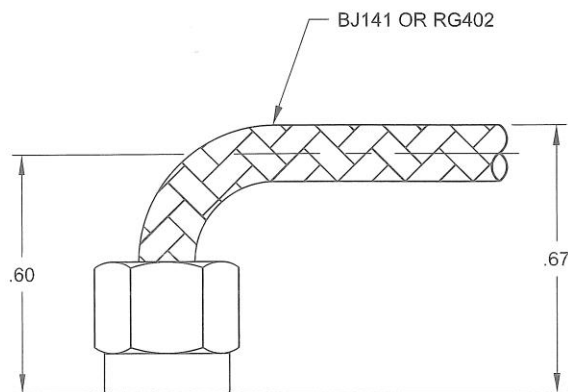
Using either Semi-Rigid or Conformable® cable, Florida RF Labs can pre-bend the cable to form a right angle before soldering a low profile SMA plug onto the cable. The cable must be bent before the connector is soldered on to prevent the solder joint from breaking. The electrical performance of the assembly is better than a swept or cubed right angle connector.



Standard right angle connector (SMR)
DC to 12.4 GHz - VSWR 1.35 Typical



SMSR for .085 cable
DC to 18.0 GHz - VSWR 1.30 Typical



SMSR for .141 cable
DC to 18.0 GHz - VSWR 1.23 Typical
(Point and Face designs: see page 50)