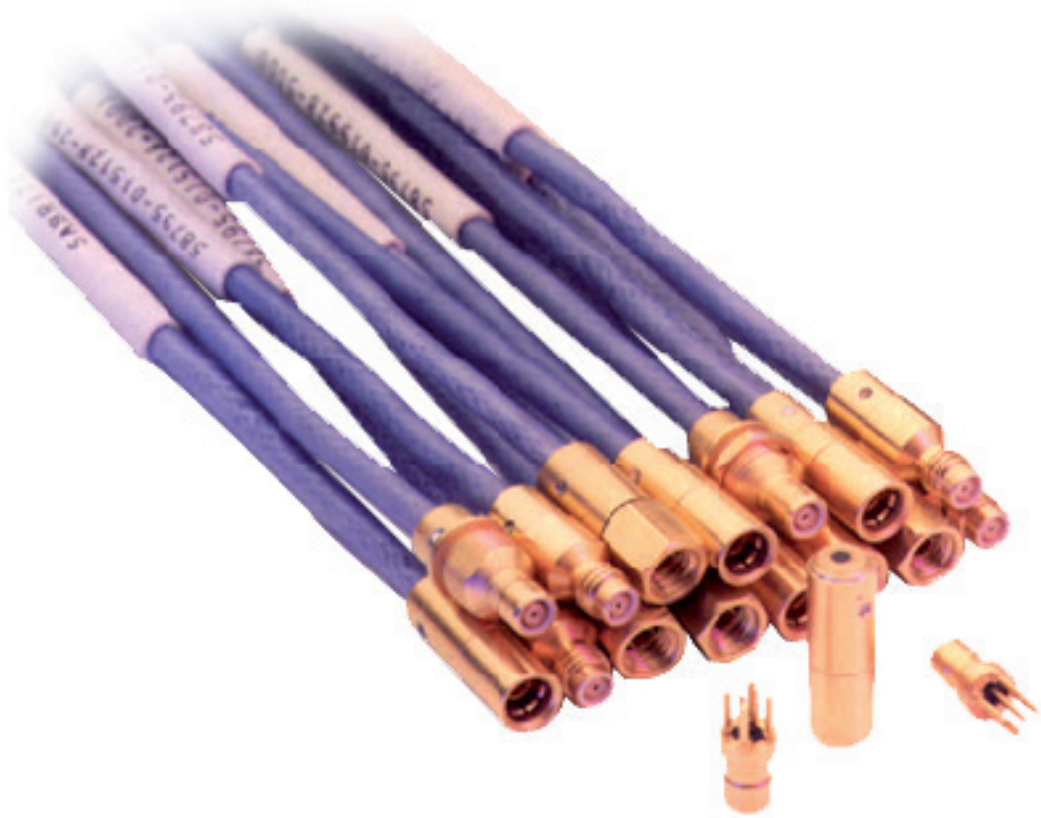


# NDL-Q & NDL-T Series Connectors



# Triaxial Connectors

## Mechanical & Environmental Specifications

Temperature Rating	-65 °C to 165 °C
Corrosion	MIL-STD-202 Method 101, Test Condition B
Shock	MIL-STD-202 Method 213, Test Condition B
Vibration	MIL-STD-202 Method 204, Test Condition B
Thermal Shock	MIL-STD-202 Method 107, Test Condition B
Durability	1000 Mate/Unmate cycles min.
Coupling Nut Torque (NDL-T) Recommended Proof Torque	2.3 in-lbs min. 7.0 in-lbs
Jam Nut Recommended Torque	4 to 5 in-lbs
Mating Torque (NDL-T)	2.5 in-lbs
Engagement Disengagement Force (NDL-Q)	3.0 lbs min.

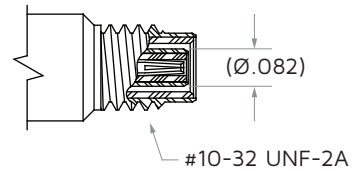
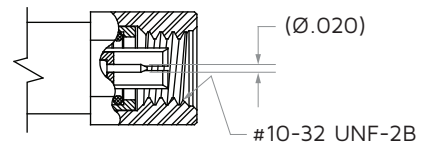
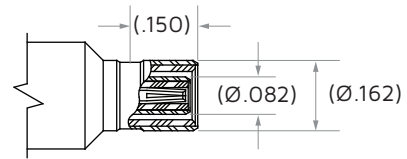
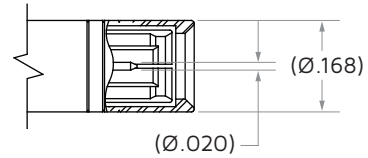
## Electrical Specifications

Dielectric Withstanding Voltage	Centre contact to intermediate contact: 1000 Vrms min. Intermediate contact to outer contact: 400 Vrms min.
Insulation Resistance	5,000 megaohm min. Centre contact to intermediate contact: 250 VDC Intermediate contact to outer contact: 125 VDC
Contact Current Rating	2.0 A max.
RF Hi Potential Withstanding Voltage	Centre contact to intermediate contact: 500 Vrms @ 5 MHz Intermediate contact to outer contact: 125 Vrms @ 5 MHz
Corona Level @ 70,000 ft	Centre contact to intermediate contact: 125 VAC
Permeability	2.0 max.
Rise time Degradation (Mated Pair)	800 ps @ 1 MHz

## Material & Finishes

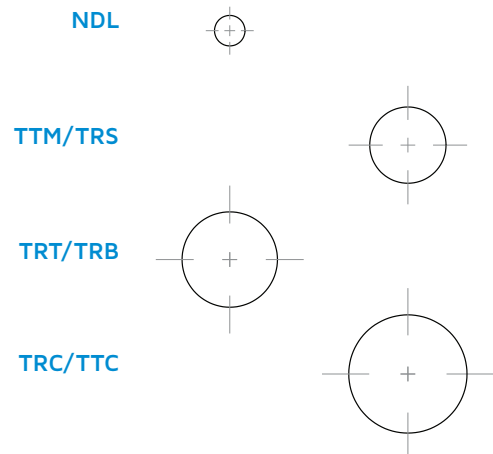
Shell and Centre / Intermediate Contacts	Brass per ASTM-B16, alloy UNS C36000 BeCu per ASTM-B196, alloy UNS C17200, C17300 Gold plate per MIL-DTL-45204, Type II, Class 1
Insulators	PTFE per ASTM-D 1710
O-Ring (NDL-T)	Silicone rubber per A-A-59588

## Interface Dimensions



## Connector Types

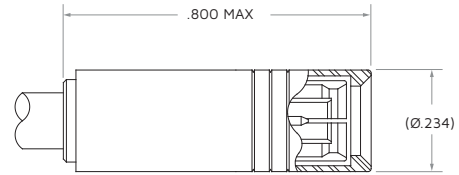
### Actual O.D. Size



# NDL-Q

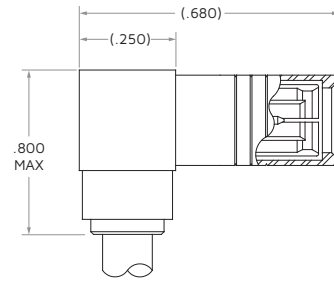
## NDL-Q Cable Plug

Part Number	Cable Type	Cable
016028-2000	Flexible Twinax	M17/176-00002
016028-2012	Flexible Twinax	540-1086-000
016028-2013	Flexible Triax	RG-403
016028-2014	Flexible Triax	540-1050-000
016028-2031	Flexible Triax	540-1081-000



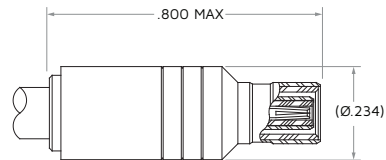
## NDL-Q Right Angle Cable Plug

Part Number	Cable Type	Cable
016028-1001	Flexible Twinax	M17/176-00002
016028-1012	Flexible Twinax	540-1086-000
016028-1013	Flexible Triax	RG-403
016028-1014	Flexible Triax	540-1050-000
016028-1031	Flexible Triax	540-1081-000



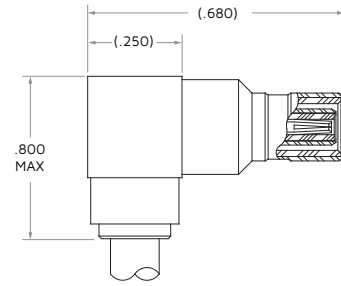
## NDL-Q Cable Jack

Part Number	Cable Type	Cable
016128-2001	Flexible Twinax	M17/176-00002
016128-2012	Flexible Twinax	540-1086-000
016128-2013	Flexible Triax	RG-403
016128-2014	Flexible Triax	540-1050-000
016128-2031	Flexible Triax	540-1081-000



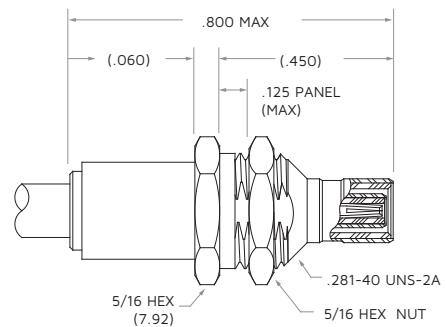
## NDL-Q Right Angle Cable Jack

Part Number	Cable Type	Cable
016128-1001	Flexible Twinax	M17/176-00002
016128-1002	Flexible Twinax	540-1086-000
016128-1003	Flexible Triax	RG-403
016128-1004	Flexible Triax	540-1050-000
016128-1031	Flexible Triax	540-1081-000



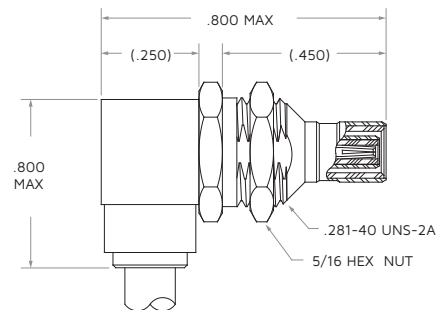
## NDL-Q Bulkhead Cable Jack

Part Number	Cable Type	Cable
016128-5000	Flexible Twinax	M17/176-00002
016128-5012	Flexible Twinax	540-1086-000
016128-5013	Flexible Triax	RG-403
016128-5014	Flexible Triax	540-1050-000
016128-5031	Flexible Triax	540-1081-000

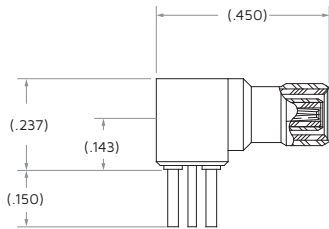


## NDL-Q Right Angle Bulkhead Cable Jack

Part Number	Cable Type	Cable
016128-1101	Flexible Twinax	M17/176-00002
016128-1102ww	Flexible Twinax	540-1086-000
016128-1103	Flexible Triax	RG-403
016128-1104	Flexible Triax	540-1050-000
016128-1131	Flexible Triax	540-1081-000



## NDL-Q Right Angle PCB Jack

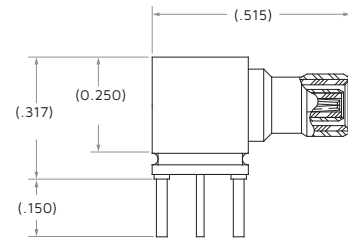


Mounting for 0.100 centres.

**Part Number**

016100-1001

## NDL-Q Right Angle PCB Jack

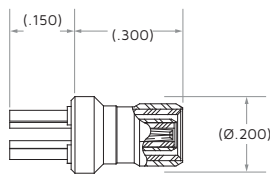


Mounting for 0.200 centres.

**Part Number**

016100-1002

## NDL-Q Straight PCB Jack

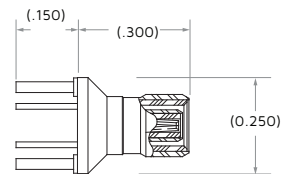


Mounting for 0.100 centres.

**Part Number**

016100-3000

## NDL-Q Straight PCB Jack

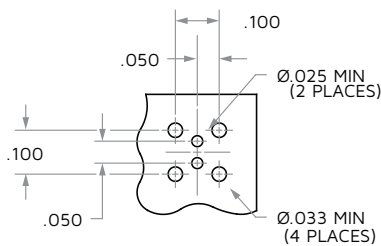


Mounting for 0.200 centres.

**Part Number**

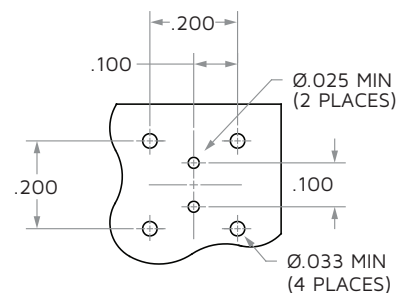
016100-3002

## Mounting for PCB Connectors



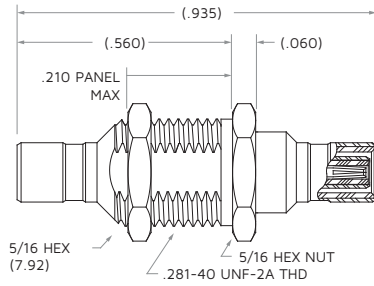
PCB pattern for 0.100 centres.

## Mounting for PCB Connectors



PCB pattern for 0.200 centres

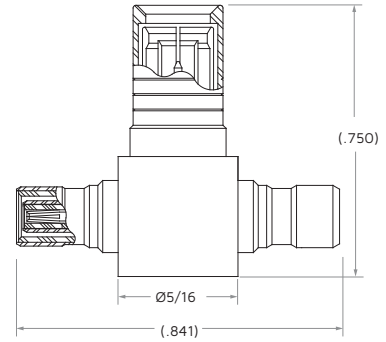
## NDL-Q Feed-Thru Jack Adapter



Part Number

016100-5004

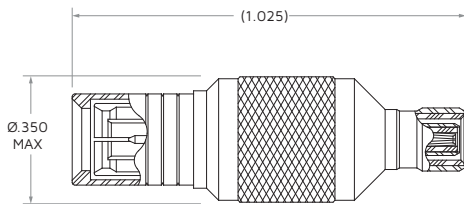
## NDL-Q "Tee" Adapter



Part Number

016000-4000

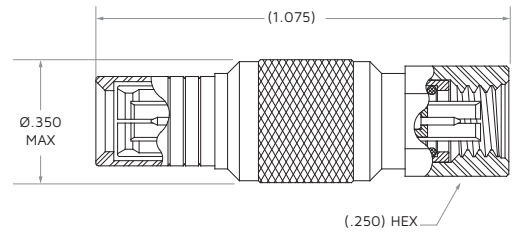
## NDL-Q Plug to NDL-Q Jack



Part Number

016000-4001

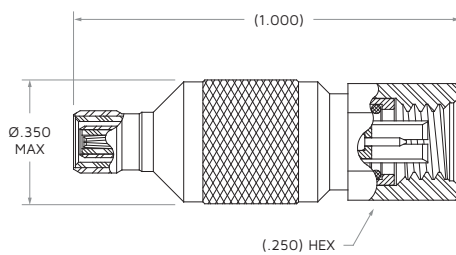
## NDL-Q Plug to NDL-T Plug



Part Number

016000-4007

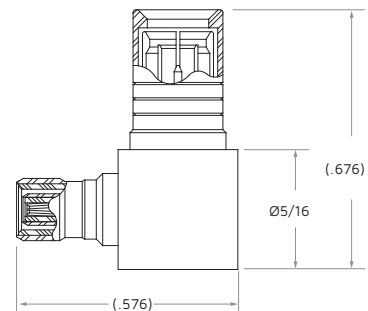
## NDL-Q Jack to NDL-T Plug



Part Number

016100-4001

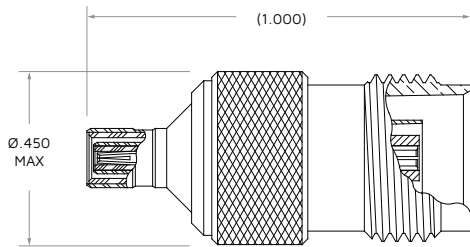
## NDL-Q Right Angle Plug to NDL-Q Jack



Part Number

016000-1000

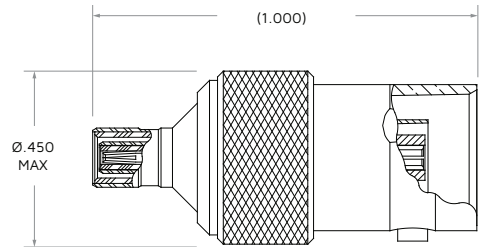
### NDL-Q Jack to TRT Jack



Part Number

016100-4002

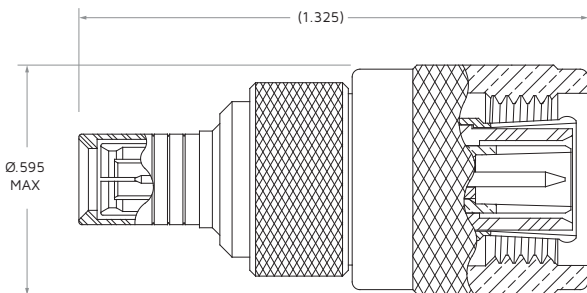
### NDL-Q Jack to TRB Jack



Part Number

016100-4003

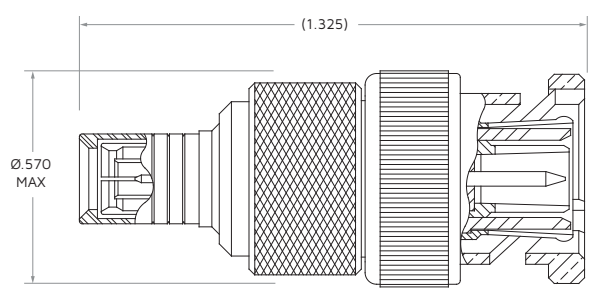
### NDL-Q Plug to TRT Plug



Part Number

016000-4003

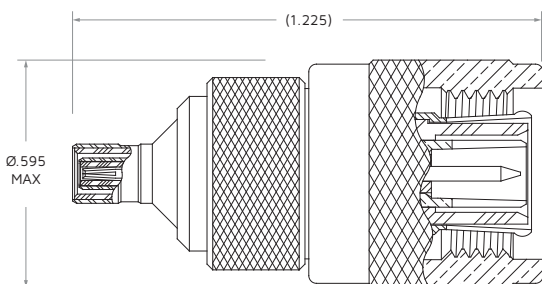
### NDL-Q Plug to TRB Plug



Part Number

016000-4004

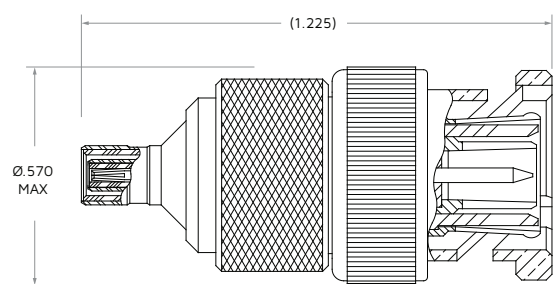
### NDL-Q Jack to TRT Plug



Part Number

016100-4004

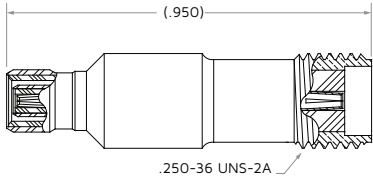
### NDL-Q Jack to TRB Plug



Part Number

016100-4005

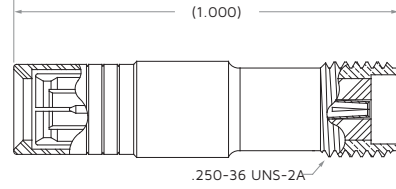
## NDL-Q Jack to SMA Jack



Part Number

016100-4010

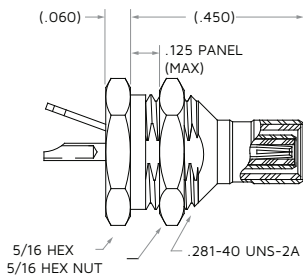
## NDL-Q Plug to SMA Jack



Part Number

016000-4010

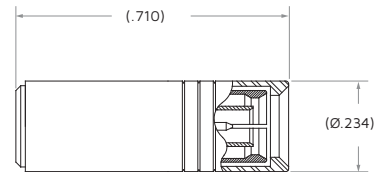
## NDL-Q Bulkhead Jack



Part Number

016100-5001

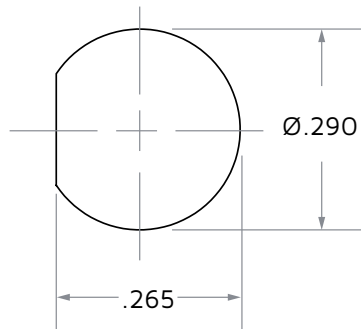
## NDL-Q 75 Ohm Terminator



Part Number

016000-0000

## Mounting D-Hole Configuration

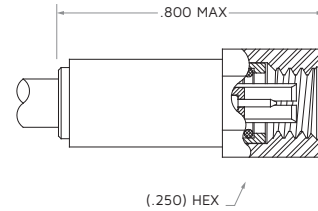




# NDL-T

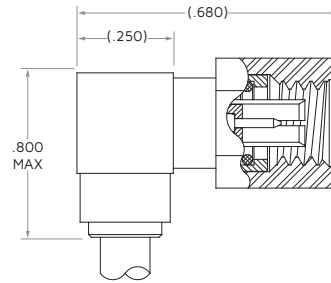
## NDL-T Cable Plug

Part Number	Cable Type	Cable
015028-2000	Flexible Twinax	M17/176-00002
015028-2012	Flexible Twinax	540-1086-000
015028-2013	Flexible Triax	RG-403
015028-2014	Flexible Triax	540-1050-000
015028-2031	Flexible Triax	540-1081-000



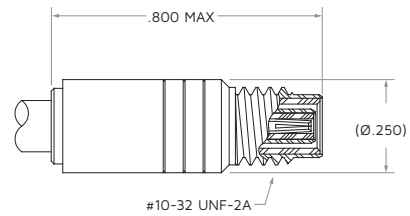
## NDL-T Right Angle Cable Plug

Part Number	Cable Type	Cable
015028-1001	Flexible Twinax	M17/176-00002
015028-1012	Flexible Twinax	540-1086-000
015028-1013	Flexible Triax	RG-403
015028-1014	Flexible Triax	540-1050-000
015028-1031	Flexible Triax	540-1081-000



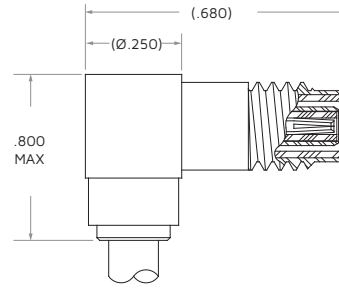
## NDL-T Cable Jack

Part Number	Cable Type	Cable
015112-2001	Flexible Twinax	M17/176-00002
015112-2012	Flexible Twinax	540-1086-000
015112-2013	Flexible Triax	RG-403
015112-2014	Flexible Triax	540-1050-000
015112-2031	Flexible Triax	540-1081-000



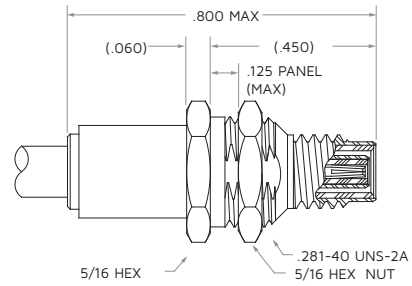
## NDL-T Right Angle Cable Jack

Part Number	Cable Type	Cable
015112-1001	Flexible Twinax	M17/176-00002
015112-1012	Flexible Twinax	540-1086-000
015112-1013	Flexible Triax	RG-403
015112-1014	Flexible Triax	540-1050-000
015112-1031	Flexible Triax	540-1081-000



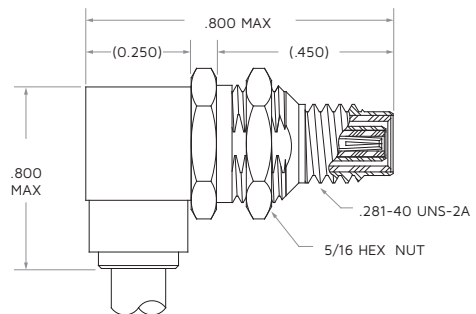
## NDL-T Bulkhead Cable Jack

Part Number	Cable Type	Cable
015112-5000	Flexible Twinax	M17/176-00002
015112-5012	Flexible Twinax	540-1086-000
015112-5013	Flexible Triax	RG-403
015112-5014	Flexible Triax	540-1050-000
015112-5031	Flexible Triax	540-1081-000

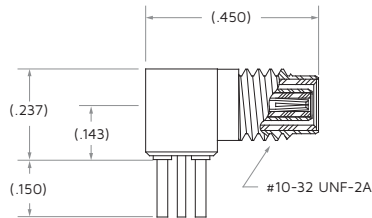


## NDL-T Right Angle Bulkhead Cable Jack

Part Number	Cable Type	Cable
015112-1001	Flexible Twinax	M17/176-00002
015112-1012	Flexible Twinax	540-1086-000
015112-1013	Flexible Triax	RG-403
015112-1014	Flexible Triax	540-1050-000
015112-1031	Flexible Triax	540-1081-000



## NDL-T Right Angle PCB Jack

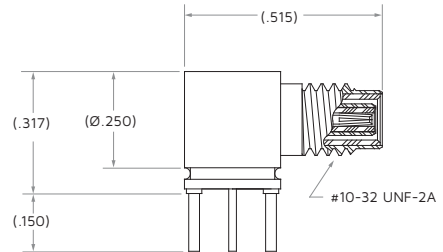


Mounting for 0.100 centres.

**Part Number**

015100-1011

## NDL-T Right Angle PCB Jack

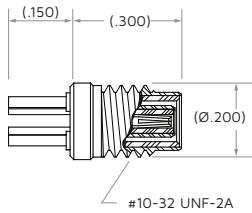


Mounting for 0.200 centres.

**Part Number**

015100-1012

## NDL-T Straight PCB Jack

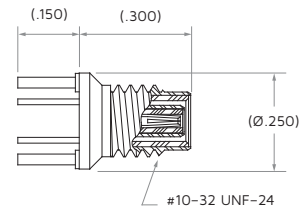


Mounting for 0.100 Centres

**Part Number**

015100-3010

## NDL-T Straight PCB Jack

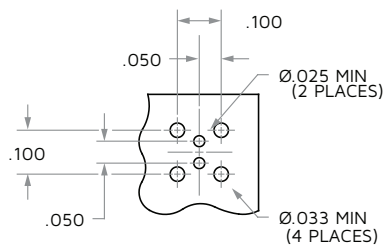


Mounting for 0.200 Centres

**Part Number**

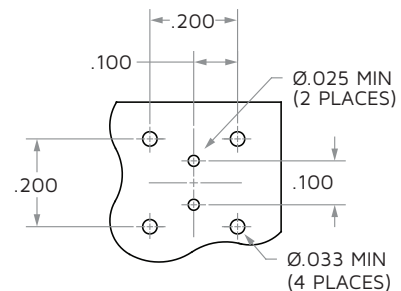
015100-3012

## Mounting for PCB Connectors



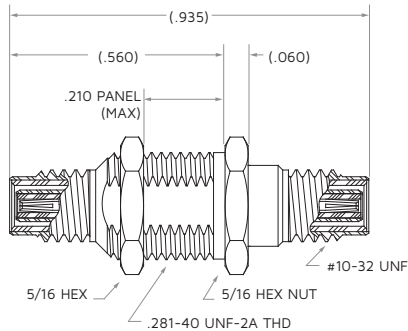
PCB Pattern for 0.100 centres.

## Mounting for PCB Connectors



PCB Pattern for 0.200 centres.

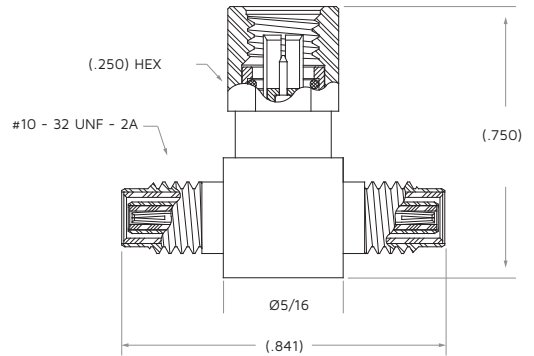
### NDL-T Feed-Thru Jack Adapter



Part Number

015100-5024

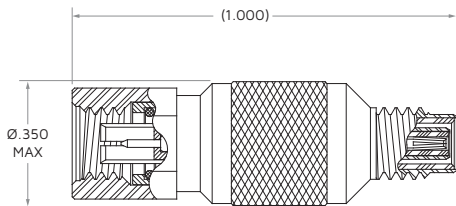
### NDL-T "Tee" Adapter



Part Number

015000-4020

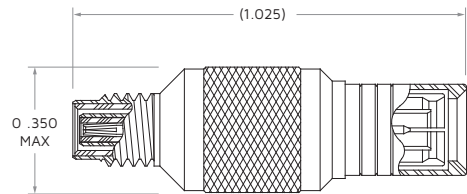
### NDL-T Plug to NDL-T Jack



Part Number

015000-4023

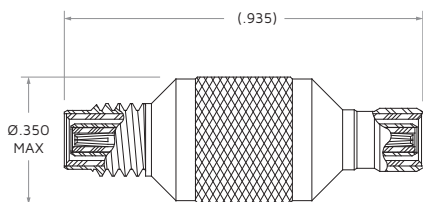
### NDL-T Jack to NDL-Q Plug



Part Number

015100-4015

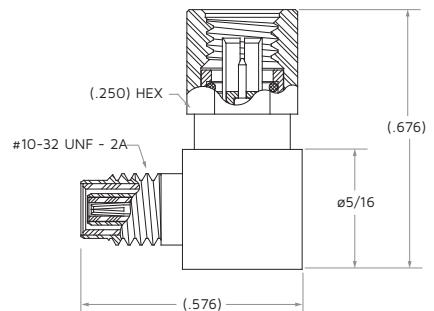
### NDL-T Jack to NDL-Q Jack



Part Number

015100-4016

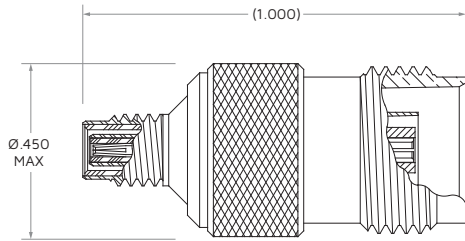
### NDL-T Right Angle Plug to NDL-T Jack



Part Number

015000-1001

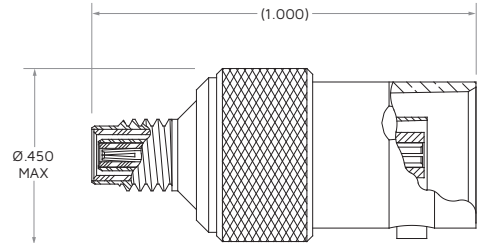
### NDL-T Jack to TRT Jack



Part Number

015100-4011

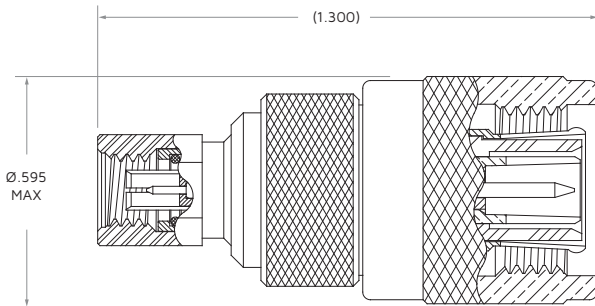
### NDL-T Jack to TRB Jack



Part Number

015100-4012

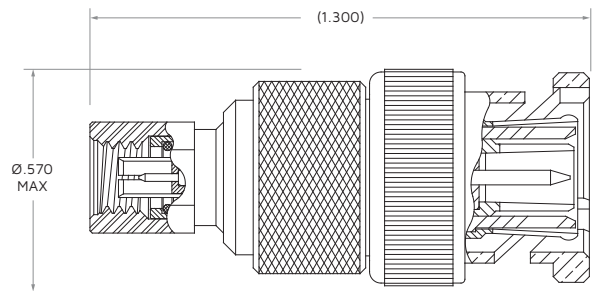
### NDL-T Plug to TRT Plug



Part Number

015000-4004

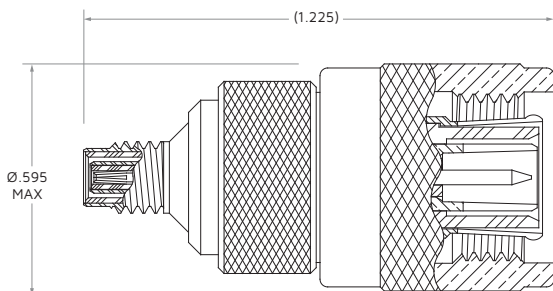
### NDL-T Plug to TRB Plug



Part Number

015000-4005

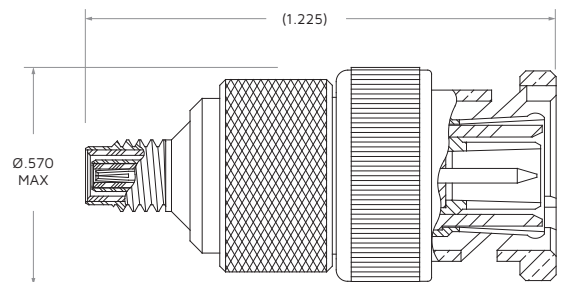
### NDL-T Jack to TRT Plug



Part Number

015100-4013

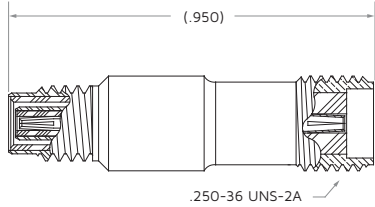
### NDL-T Jack to TRB Plug



Part Number

015100-4014

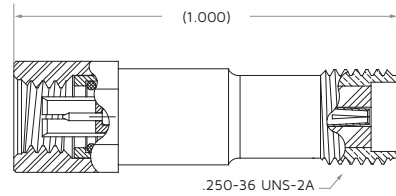
### NDL-T Jack to SMA Jack



Part Number

015100-4017

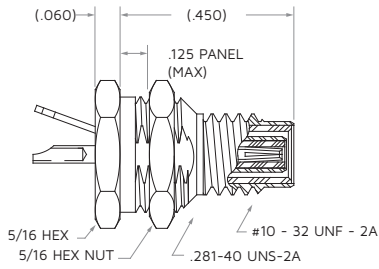
### NDL-T Plug to SMA Jack



Part Number

015000-4010

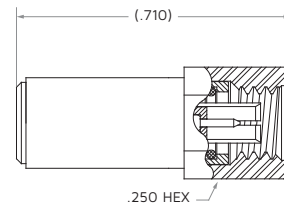
### NDL-T Bulkhead Jack



Part Number

015100-5025

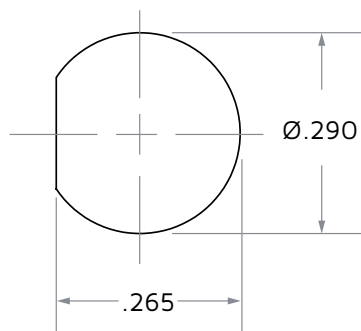
### NDL-T 75 Ohm Terminator



Part Number

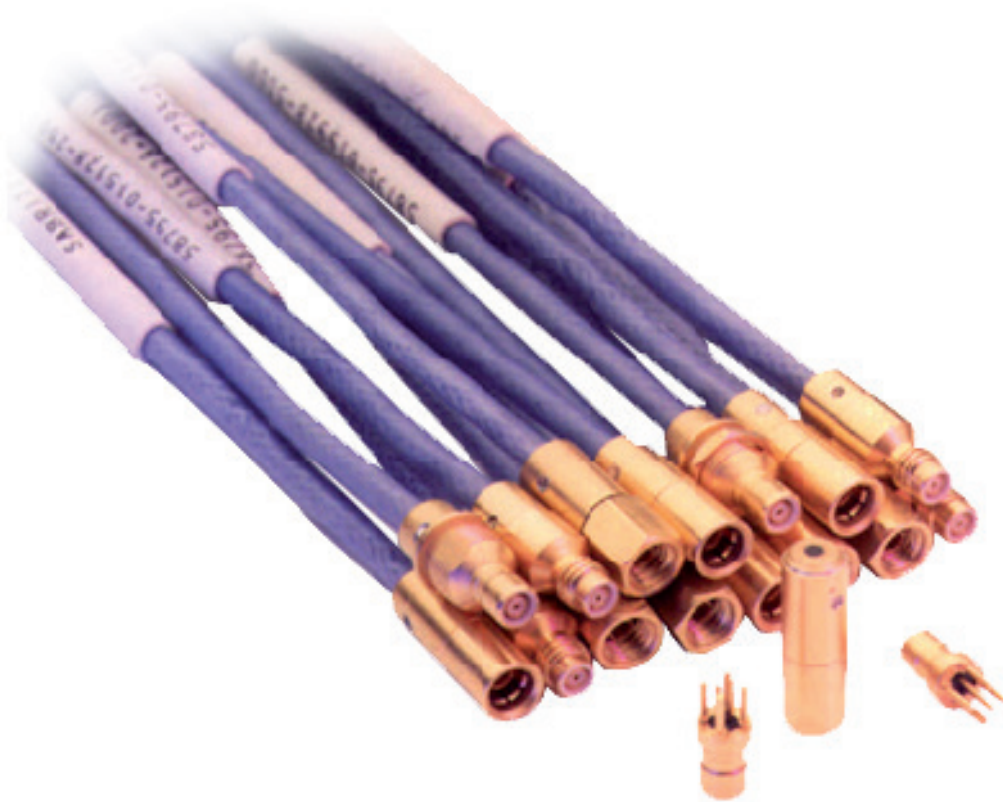
015000-0000

### Mounting D-Hole Configuration



## Ordering

Please, contact our Sales office or visit our website for quotations.



### Disclaimer

All of the information included in this catalogue is believed to be accurate at the time of printing. It is recommended, however, that users should independently evaluate the suitability of each product for their intended application and be sure that each product is properly installed, used and maintained to achieve desired results.

Smiths Interconnect makes no warranties as to the accuracy or completeness of the information, and disclaims any liability regarding its use.

Smiths Interconnect reserves the right to modify design and specifications, in order to improve quality, keep pace with technological development or meet specific production requirements.

No reproduction or use without express permission of editorial and pictorial content, in any manner.

# Worldwide Support

---

## Connectors

### Americas

#### Sales

connectors.uscsr@smithsinterconnect.com

#### Technical Support

connectors.ustechsupport@smithsinterconnect.com

### Europe

#### Sales

connectors.emeacsr@smithsinterconnect.com

#### Technical Support

connectors.emeatechsupport@smithsinterconnect.com

### Asia

#### Sales

asiacsr@smithsinterconnect.com

#### Technical Support

asiatechsupport@smithsinterconnect.com

---

## Fibre Optics & RF Components

### Americas

#### Sales

focom.uscsr@smithsinterconnect.com

#### Technical Support

focom.techsupport@smithsinterconnect.com

### Europe

#### Sales

focom.emeacsr@smithsinterconnect.com

#### Technical Support

focom.techsupport@smithsinterconnect.com

### Asia

#### Sales

focom.asiacsr@smithsinterconnect.com

#### Technical Support

focom.techsupport@smithsinterconnect.com

---

## Semiconductor Test

### Americas

#### Sales

semi.uscsr@smithsinterconnect.com

#### Technical Support

semi.techsupport@smithsinterconnect.com

### Europe

#### Sales

semi.emeacsr@smithsinterconnect.com

#### Technical Support

semi.techsupport@smithsinterconnect.com

### Asia

#### Sales

semi.asiacsr@smithsinterconnect.com

#### Technical Support

semi.techsupport@smithsinterconnect.com

---

## RF/MW Subsystems

### Americas, Europe & Asia

#### Sales

subsystems.csr@smithsinterconnect.com

#### Technical Support

subsystems.techsupport@smithsinterconnect.com

# Connecting Global Markets

more > [smithsinterconnect.com](https://www.smithsinterconnect.com) | [in](#) [twitter](#) [youtube](#)

Copyright© 2022 Smiths Interconnect | All rights reserved | Version 1.1

The information contained within this document is subject at all times to applicable Export Control regulations and legal requirements.