

TITLE: SPECIFICATION CONTROL DRAWING

PART IDENTIFIER: CT1206S

DESCRIPTION: CHIP TERMINATION, BERYLLIA

ASSEMBLY DWG: 1101764

1.0 SPECIFICATIONS:

- 1.1 ELECTRICAL:
 - 1.1.1 IMPEDANCE: 50Ω NOMINAL.
 - 1.1.2 FREQUENCY: DC - 2 GHZ.
 - 1.1.3 VSWR: 1.25:1 MAX.
 - 1.1.4 INPUT POWER:
 - 1.1.4.1 HEAT SINK 100°C: 10 WATTS. (DERATE POWER LINEARLY TO 0 WATTS @ 125°C)
- 1.2 MECHANICAL:
 - 1.2.1 OUTLINE DWG: SEE SHEET 2.
- 1.3 ENVIRONMENTAL:
 - 1.3.1 TEMPERATURE RANGE:
 - 1.3.1.1 NON-OPERATING: -55°C TO +150°C.
 - 1.3.1.2 OPERATING: -55°C TO +125°C.

2.0 UNIT MARKING: NONE.

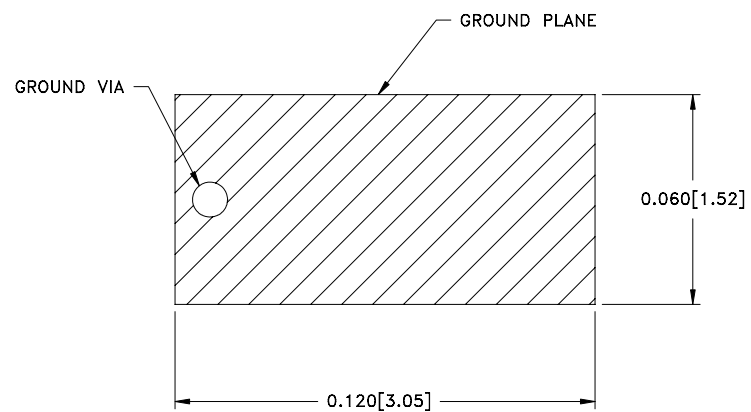
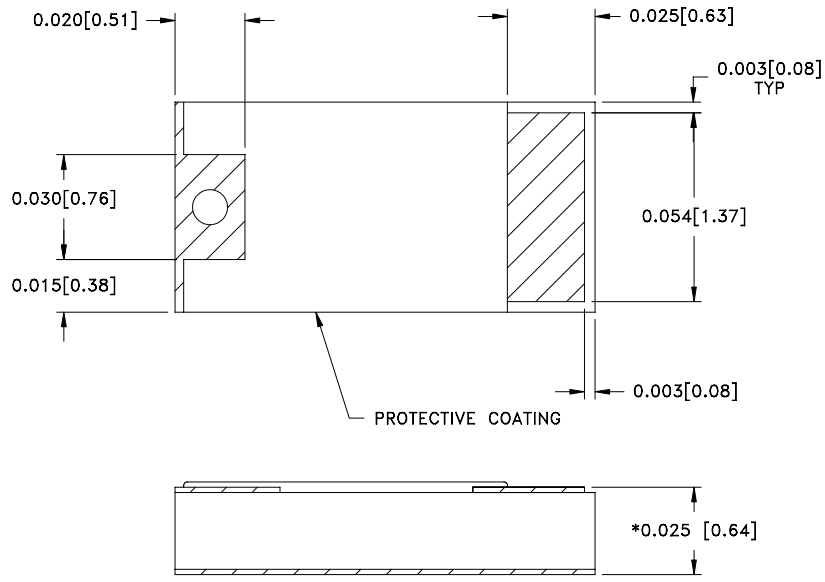
3.0 QUALITY ASSURANCE:

- 3.1 SAMPLE INSPECT PER ANSI/ASQC Z1.4 GENERAL INSPECTION, LEVEL II, AQL = 1.0.
 - 3.1.1 VISUAL AND MECHANICAL PER 824W154.
- 3.2 DC RESISTANCE: 50Ω ± 5%.
- 3.3 DATA REQUIREMENTS:
 - 3.3.1 NO TEST DATA REQUIRED FOR CUSTOMER.
 - 3.3.2 DATA RETENTION - STANDARD.

4.0 PACKAGING: STANDARD BULK PACK PER 755W002.

EMC TECHNOLOGY 8851 SW OLD KANSAS AVE. STUART, FL 34997	CAGE CODE # 24602		DWG #	1010295000
	CHANGE NOTICE	EN 08-E0534	REV LVL	A
			SHEET	1 OF 2

PART ID REF
CT1206S

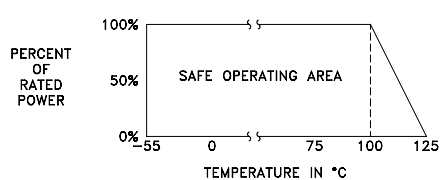


MECHANICAL SPECIFICATION:

SUBSTRATE:
 MATERIAL - BERYLLIA, ASTM F356.
 TERMINALS & GROUND PLANE:
 MATERIAL - THICK FILM, NICKEL BARRIER,
 SOLDER COATED.
 RESISTIVE ELEMENT:
 MATERIAL - THICK FILM.
 * DIMENSIONS APPLY BEFORE SOLDER. ALLOW
 0.015 MAX FOR ALL PRETINNED SURFACES.

METRIC EQUIVALENTS GIVEN IN [mm]
 FOR REFERENCE INFORMATION ONLY

POWER RATING AND DERATING



<p>8851 SW OLD KANSAS AVE STUART, FL 34997 PHONE NO. (772)286-9300 FAX NO. (772)283-5286</p>	UNLESS OTHERWISE SPECIFIED DIMENSIONS ARE IN INCHES TOLERANCES FRACT --- -- ANG --- -- XX --- -- XXX ±0.005 XXXX --- --	THESE DRAWINGS AND SPECIFICATIONS ARE THE PROPERTY OF EMC TECHNOLOGY INC AND SHALL NOT BE DUPLICATED OR USED AS BASIS FOR THE MANUFACTURE OR SALE OF PARTS OR DEVICES WITHOUT PERMISSION.			
	CAGE CODE 24602	SCALE 30:1	DRAWN BY JG 7/7/08	CHECKED BY	APPROVED BY
	REV A	CHANGE NOTICE EN 08-E0534	DRAWING NO 1010295000	SHEET 2 OF 2	