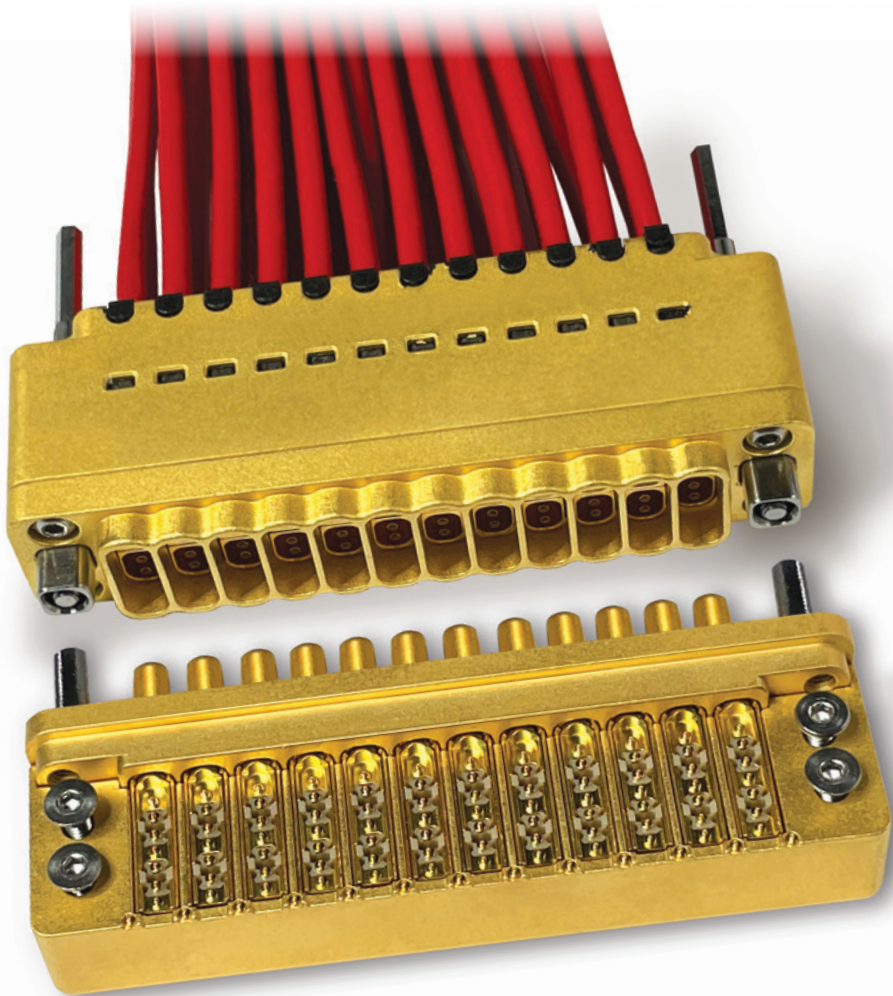


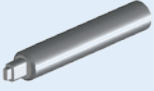


NXS Series

Application Guide



Tooling

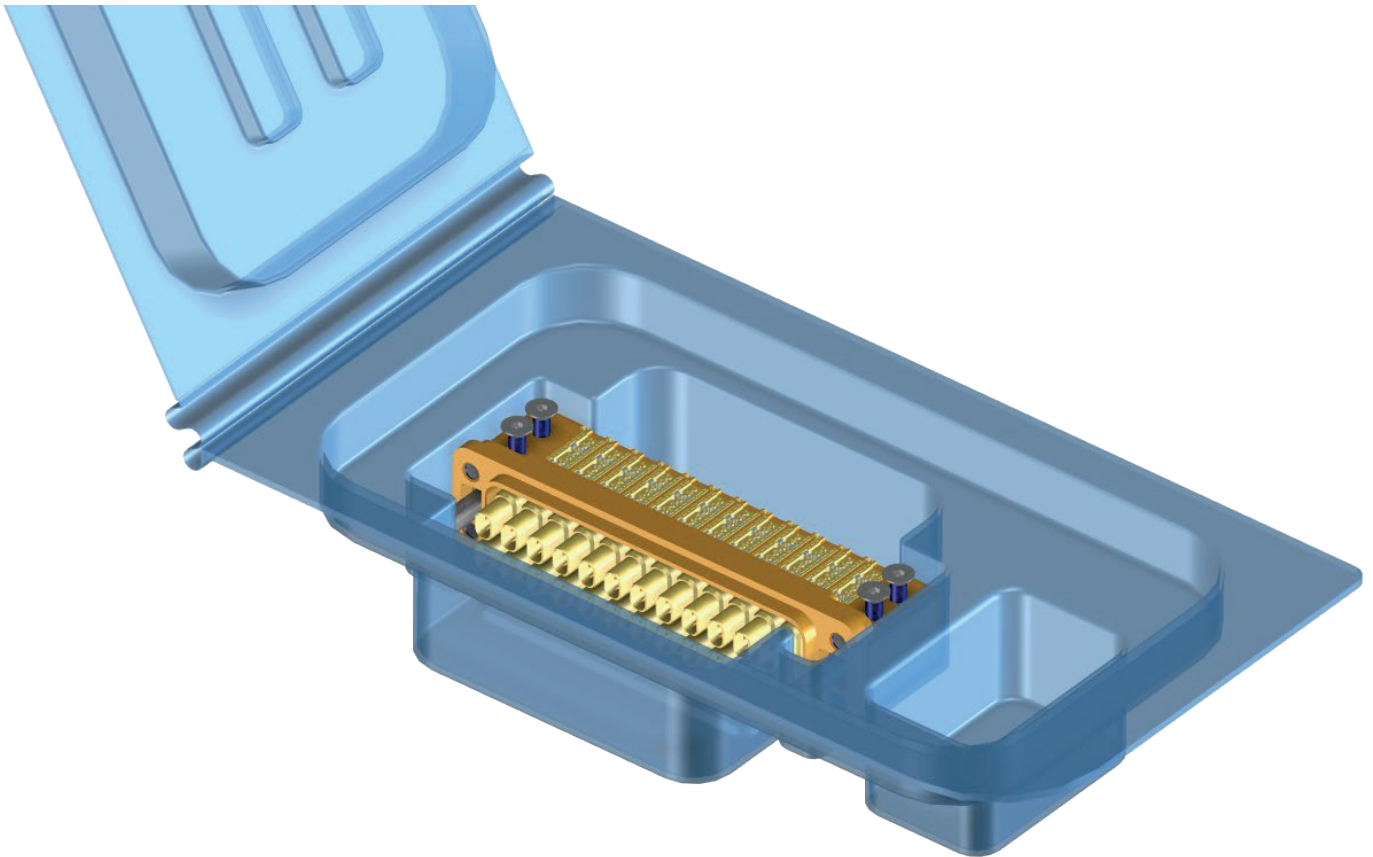
Part Number	Description	Image
H611571	Hex Driver 1.27A/F	
HTA-661	Contact Release tool	
HTA-662	Contact Extract tool	

NXS Receptacle Assembly

The NXS receptacle utilizes solderless termination for connection to the parent PCB, any cleaning or conformal coating required on the parent board must be carried out prior to the fitment of the NXS receptacle.

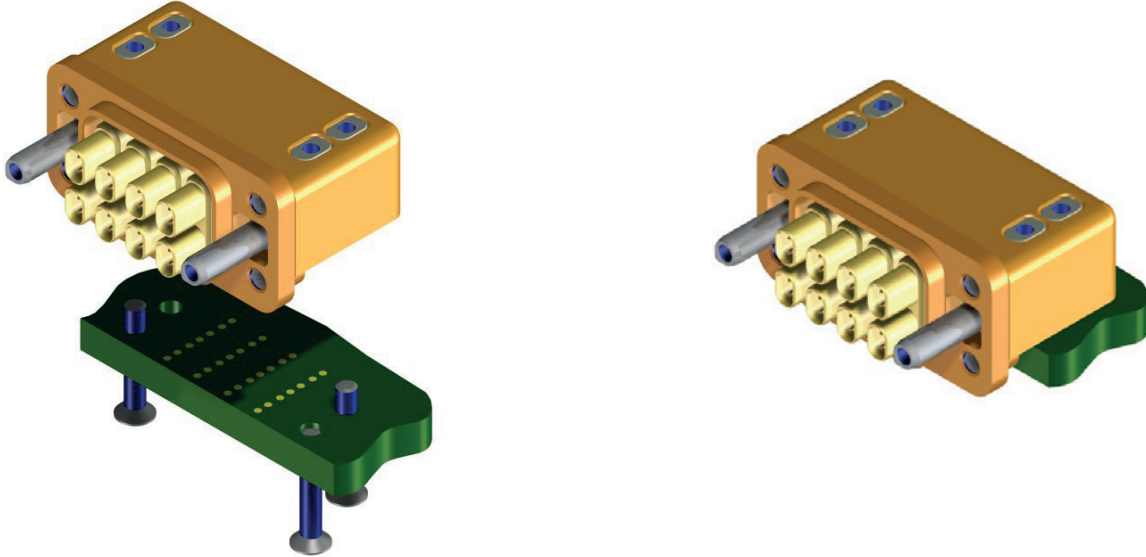
Note: cleaning product and conformal coating product may cause contamination of inner contact and affect performance

- Receptacle supplied individually packed within dedicated ESD clam-shell packing tray.



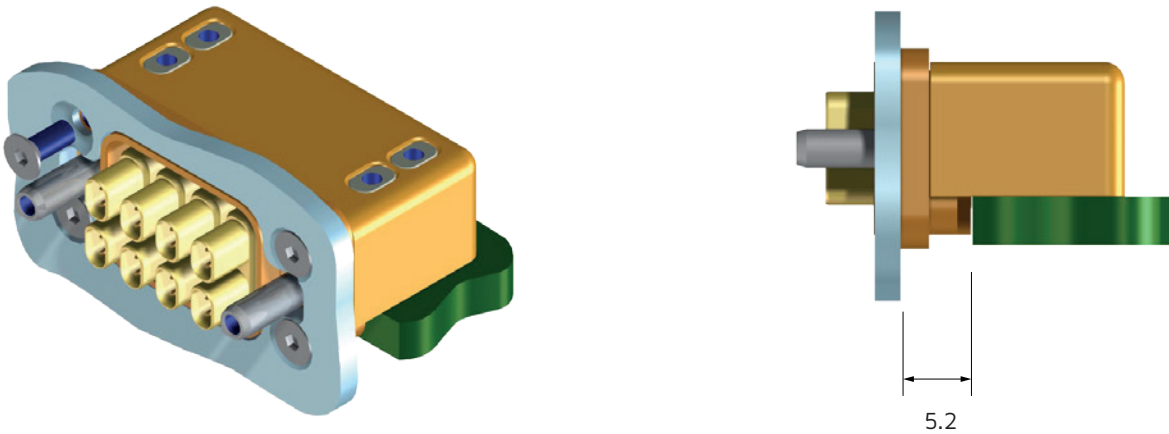
Receptacle to PCB assembly

- Carefully position receptacle to PCB, using supplied fixing screws to align and secure in correct position.
- **Fixing:** 1.3 mm A/F hex drive, countersunk head, M2x5 mm
- **Tightening torque:** 0.2 Nm \pm 3%

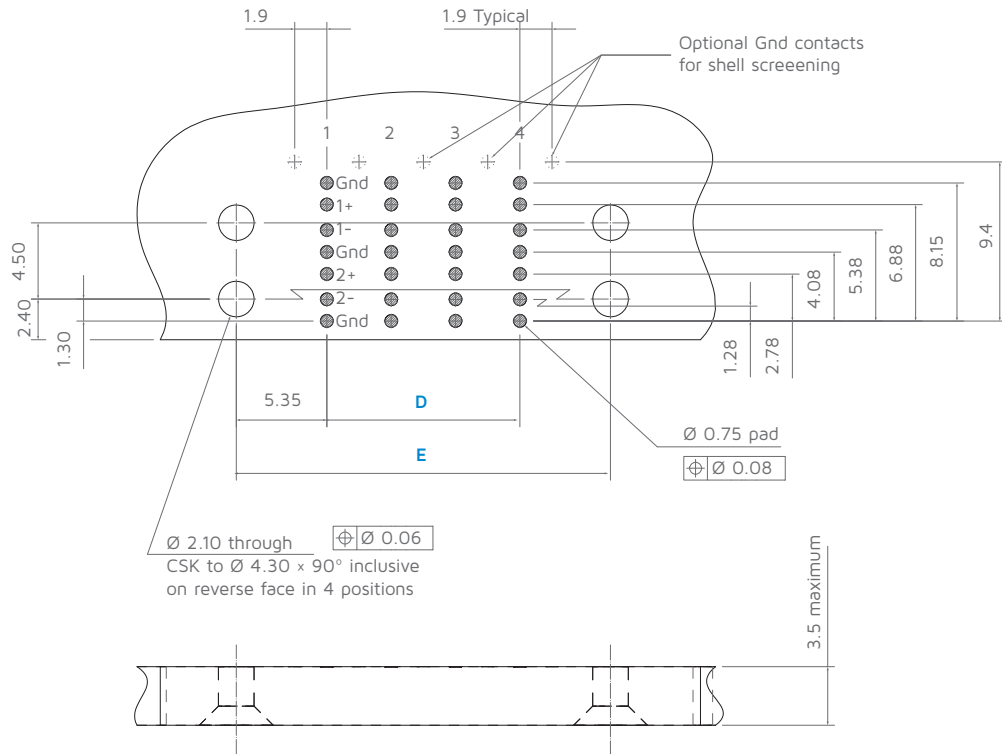


Unit to bulkhead assembly

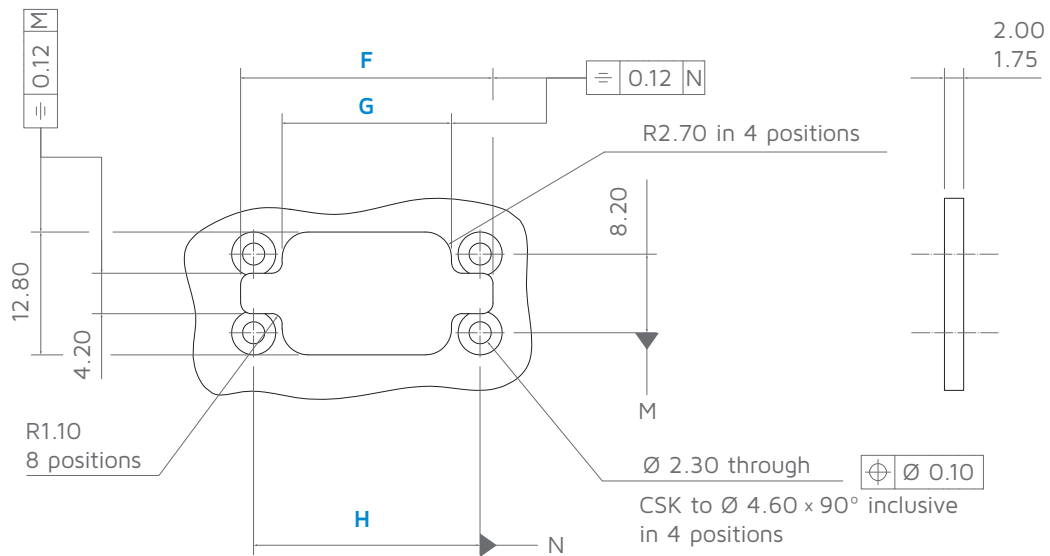
- Carefully secure assembled unit to bulkhead, using supplied fixings crews.
- **Fixing:** 1.3 mm A/F hex drive, countersunk head, M2x12 mm
- **Tightening torque:** 0.2 Nm \pm 5%



Recommended PCB Footprint



Recommended Panel Cut-out



Variable Dimensions

Number of ways	A	B	C	D	E	F	G	H
4	23.6	29.1	22.1	3x3.8 = 11.4	22.1	26.3	17.65	23.6
12	54.0	59.5	52.5	11x3.8 = 41.8	52.5	56.7	48.05	54.0

Dimensions are in mm.

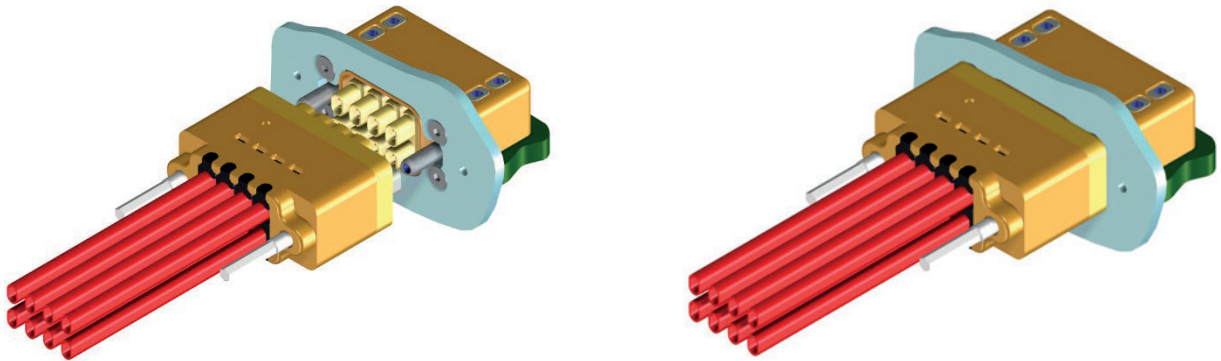
NXS Plug Assembly

For assembly of cables to plug, please refer to Smiths Interconnect datasheet: "SINT-NXS Series-Cable Fitting Guide"

Plug to Receptacle Mating

When mating plug to receptacle, jackscrews are to be tightened to the following torque:

- **Fixing head:** 2.0 mm A/F
- **Tightening torque:** 0.2 Nm max.

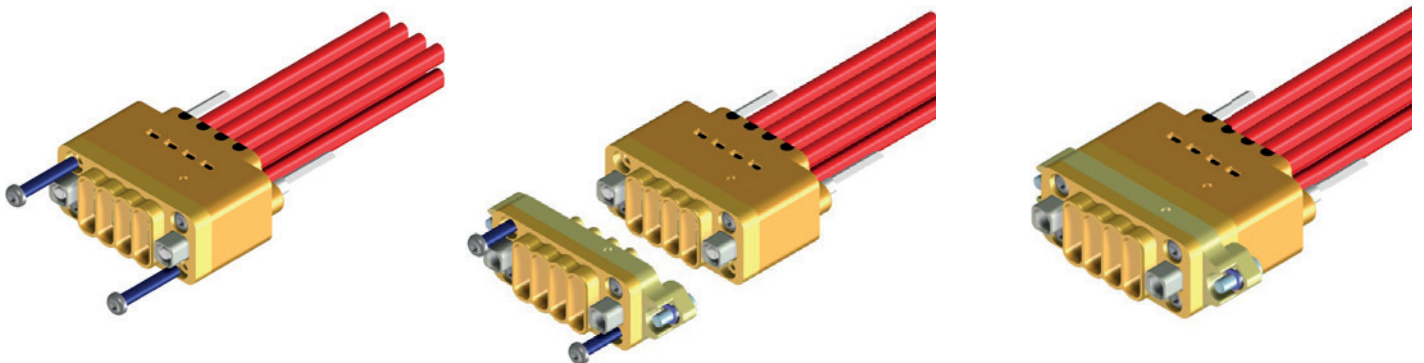


Plug and Receptacle Savers

Plug and receptacle savers are designed to be stackable in pairs between flight receptacle and flight plug or used independently between flight receptacle and non-flight plug or non-flight receptacle and flight plug.

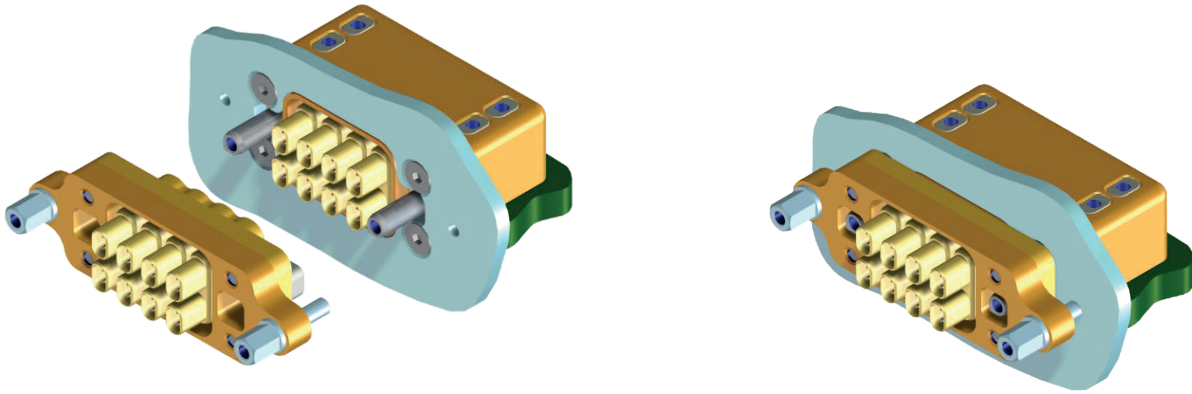
Plug-Saver

- Remove 2 fixings from plug and retain, as detailed below, (tool: H611571)
- Re-use the previously removed fixings, to attach plug-saver to plug
- **Fixing:** 1.3 mm A/F hex drive, (Tool: H611571)
- **Tightening torque:** 0.15 Nm \pm 3%



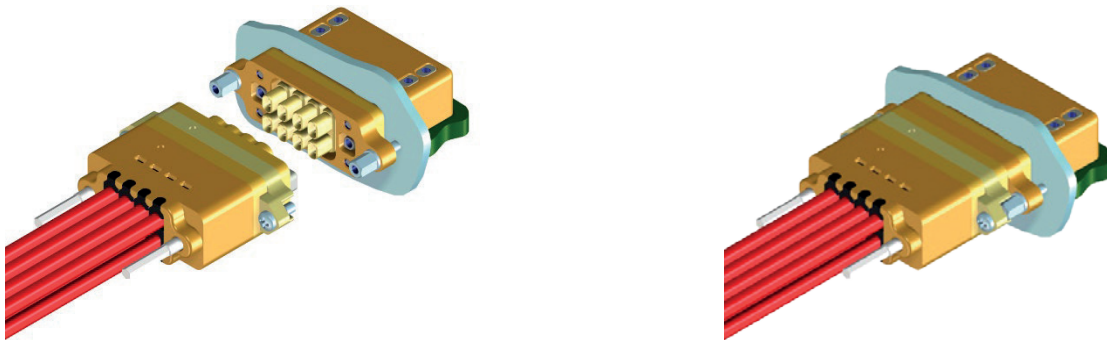
Receptacle Saver

- Saver is a push-fit onto receptacle, secured to test-panel/bulkhead via M2 fixings,
- **Fixing:** 3.2 mm A/F
- **Tightening torque:** 0.2N m \pm 3%



Saver-stacking

Assembled savers may be stacked:



Cable Termination

Please refer to Smiths Interconnect datasheet HXS-7009 (contact Sales).

Recommended cable (100 Ohm differential, 50 Ohm signal to shield).

- WL GORE GSC-05-83111-00
- TENSOLITE 540-1153-000
- AXON AM526-A07

Disclaimer

All of the information included in this catalogue is believed to be accurate at the time of printing. It is recommended, however, that users should independently evaluate the suitability of each product for their intended application and be sure that each product is properly installed, used and maintained to achieve desired results.

Smiths Interconnect makes no warranties as to the accuracy or completeness of the information, and disclaims any liability regarding its use.

Smiths Interconnect reserves the right to modify design and specifications, in order to improve quality, keep pace with technological development or meet specific production requirements.

No reproduction or use without express permission of editorial and pictorial content, in any manner.

Worldwide Support

Connectors

Americas

Sales

connectors.uscsr@smithsinterconnect.com

Technical Support

connectors.ustechsupport@smithsinterconnect.com

Europe

Sales

connectors.emeacsr@smithsinterconnect.com

Technical Support

connectors.emeatechsupport@smithsinterconnect.com

Asia

Sales

asiacsr@smithsinterconnect.com

Technical Support

asiatechsupport@smithsinterconnect.com

Fibre Optics & RF Components

Americas

Sales

focom.uscsr@smithsinterconnect.com

Technical Support

focom.techsupport@smithsinterconnect.com

Europe

Sales

focom.emeacsr@smithsinterconnect.com

Technical Support

focom.techsupport@smithsinterconnect.com

Asia

Sales

focom.asiacsr@smithsinterconnect.com

Technical Support

focom.techsupport@smithsinterconnect.com

Semiconductor Test

Americas

Sales

semi.uscsr@smithsinterconnect.com

Technical Support

semi.techsupport@smithsinterconnect.com

Europe

Sales

semi.emeacsr@smithsinterconnect.com

Technical Support

semi.techsupport@smithsinterconnect.com

Asia

Sales

semi.asiacsr@smithsinterconnect.com

Technical Support

semi.techsupport@smithsinterconnect.com

RF/MW Subsystems

Americas, Europe & Asia

Sales

subsystems.csr@smithsinterconnect.com

Technical Support

subsystems.techsupport@smithsinterconnect.com

Connecting Global Markets

more > [smithsinterconnect.com](https://www.smithsinterconnect.com) | [in](#) [X](#) [v](#)