

## FEATURES

- DC – 18 GHz
- Superior Attenuation Accuracy
- Low SWR
- Rugged Construction
- MIL-DTL-3933
- High Reliability
- 0-30 dB Available
- Ideal For Space And Military

## APPLICATIONS

- Stabilize Amplifiers
- Improve VSWR Between Stages
- Balance Channels
- Protect Inputs From Overload
- Set Amplification Gain/Power
- Sample Output Power



## GENERAL DESCRIPTION

The 42WXX.XXMF series of high performance, precision SMA coaxial fixed attenuators expands EMC Technology's current offering of coaxial products. These coaxial attenuators offer superior attenuation accuracy, with extended broadband frequency operation from DC to 18 GHz. This product is rated for 2 watts of input power with attenuation values from 0 dB to 30 dB. EMC Technology's coaxial attenuators are manufactured with a stainless steel body and standard SMA male/female interface and the rugged construction ensures reliability and continuous performance in the most demanding environments. This product is designed to meet the environmental requirements of MIL-DTL-3933.

## SPECIFICATIONS

### 1.0 ELECTRICAL

Nominal Impedance:	50 $\Omega$
Frequency Range:	DC – 18 GHz
Attenuation Value:	See Table on Sheet 2
Attenuation Accuracy:	See Table on Sheet 2
VSWR:	See Table on Sheet 2
Power Rating:	2 Watts @ 25°C
Operating Temperature:	-65 °C To +125 °C

### 2.0 MECHANICAL

SMA connector:	Passivated Stainless Steel
Housing:	Passivated Stainless Steel
Resistive element:	Thin Film
Center Conductor:	Gold Plated Beryllium Copper

### 3.0 UNIT MARKING

EMCT + PART NUMBER

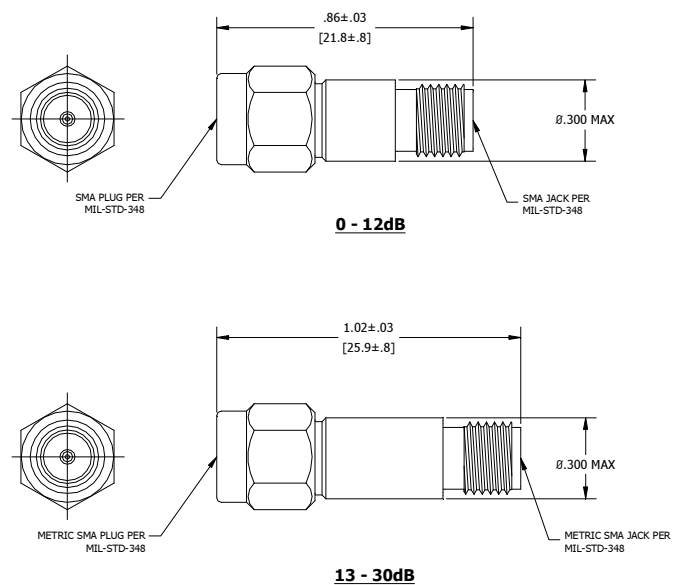
### 4.0 PACKAGING

Standard:	Tube Packaging
Optional:	Available Upon Request

### 5.0 PART NUMBERING

Part Identifier:	42WXX.XXMF
	XX.XX = dB

## MECHANICAL OUTLINE



Note: Specifications are subject to change without notice. TOLERANCE: .XX =  $\pm .03$



# ATTENUATOR, METRIC COAXIAL DC-18GHz SMA 2 WATT



DATA SHEET

PART NUMBER: 42WXX.XXMF

SHEET 2 OF 2

PRELIMINARY

EN 13-0910  
03/14/2013

## 7.0 QUALITY ASSURANCE

Salt Spray

Per MIL-STD-202E,  
Method 101E

Test Data Requirements

Test Data Retention

24 Months

ATTENUATION ACCURACY (dB)			
dB VALUE		DC – 18 GHz	
0 – 6.0		+ 0.3	
7.0 - 20.0		± 0.5	
21 - 30		± 0.75	
VSWR (MAX)			
dB VALUE	DC – 6 GHz	6 -12 GHz	12 – 18 GHz
0-30	1.15	1.25	1.35