

TERMINATION FLANGE MOUNT 40 WATT



DATA SHEET

PART SERIES: 32-1007

SHEET 1 OF 2
Dwg 32-1007

EN 13-3516
Revision-

FEATURES

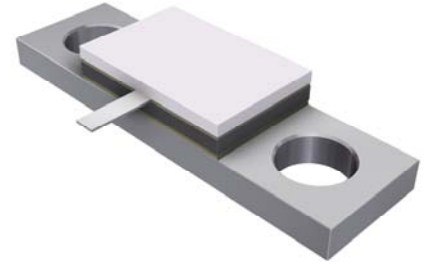
- Tab Launch
- High Power
- Integrated Heat Sink
- Low VSWR
- Easy Installation

APPLICATIONS

- Mobile Networks
- Broadcast
- High Power Amplifiers
- Isolators
- Military
- Instrumentation

GENERAL DESCRIPTION

EMC Technology offers the widest selection of flange mount terminations worldwide. High power flange components offer excellent performance and the convenience of bolt on installation.



ORDERING INFORMATION

Part Identifier: 32-1007

SPECIFICATIONS

1.0 ELECTRICAL

| | |
|--------------------|---|
| Nominal Impedance: | 50 ohms |
| Frequency Range: | DC - 6.0 GHz |
| VSWR: | DC - 2.0 GHz 1.10:1 Max 2.0 - 4.0 GHz 1.15:1 Max 4.0 - 6.0 GHz 1.30:1 Max |
| Input Power CW: | 40 Watts @ 100°C heat sink, derated linearly to zero power and 150°C |
| Peak Power: | 400 Watts (based on 10us pulse width and 1% duty cycle) |
| DC Resistance: | 50 Ω \pm 5% |

2.0 ENVIRONMENTAL

| | |
|----------------------------|---------------------|
| Operating Temperature: | -55°C to +150°C |
| Non-operating Temperature: | -65°C to +150°C |
| Temperature Coefficient: | +/-200 PPM / °C max |

3.0 MARKING

| | |
|---------------|---|
| Unit Marking: | Logo and Part Number, legibility and permanency per MIL-STD-130 |
|---------------|---|

4.0 QUALITY ASSURANCE

| | |
|-----------------------------------|--------------------------|
| Visual and Mechanical Inspection: | Per 824W107 |
| DC Resistance Check: | 100% DC Resistance Check |
| Data Retention: | Standard |

5.0 PACKAGING

| | |
|---------------------|----------------|
| Standard Packaging: | Tray Packaging |
|---------------------|----------------|

TERMINATION FLANGE MOUNT 40 WATT



DATA SHEET

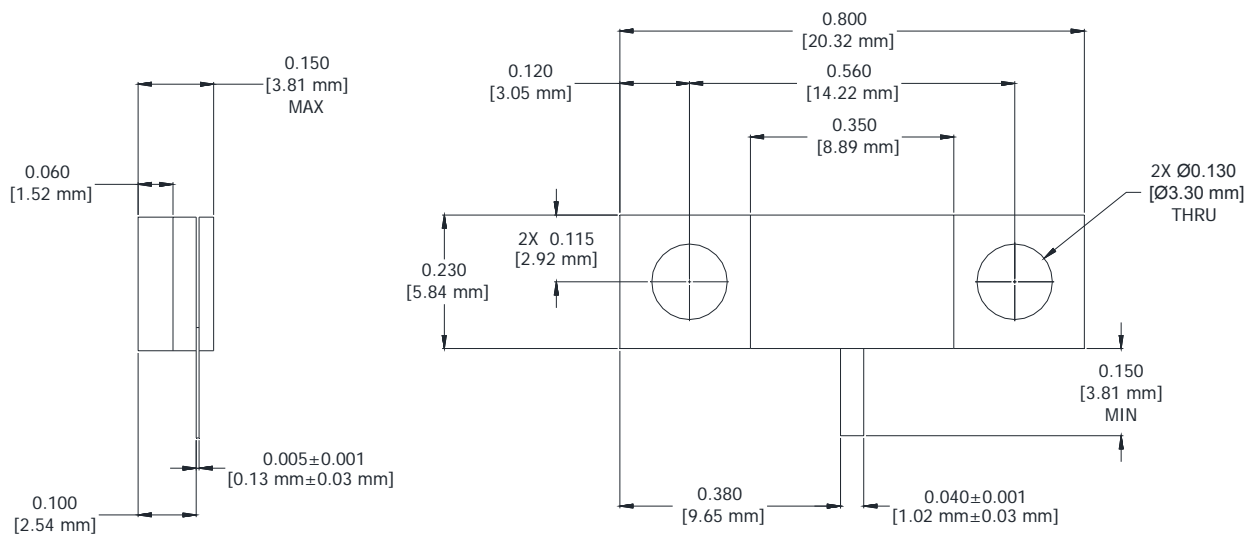
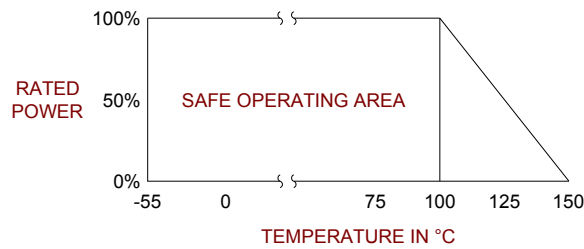
PART SERIES: 32-1007

SHEET 2 OF 2
Dwg 32-1007

EN 13-3516
Revision-

6.0 MECHANICAL

| | |
|---------------------|-----------------------------|
| Substrate Material: | Beryllium Oxide |
| Resistive Film: | Thin |
| Cover Material: | Alumina |
| Tab Material: | Beryllium Copper |
| Tab Finish: | Tin/Lead Plated |
| Flange Material: | Copper |
| Flange Finish: | Nickel Plated |
| Metric Dimensions: | Provided for reference only |



Unless Otherwise Specified: TOLERANCE: X.XX = ± 0.02 X.XXX = ± 0.010