

EDD

NOTES:

1. UNLESS OTHERWISE SPECIFIED, TOLERANCE ARE $\pm .010"$ (.254mm).

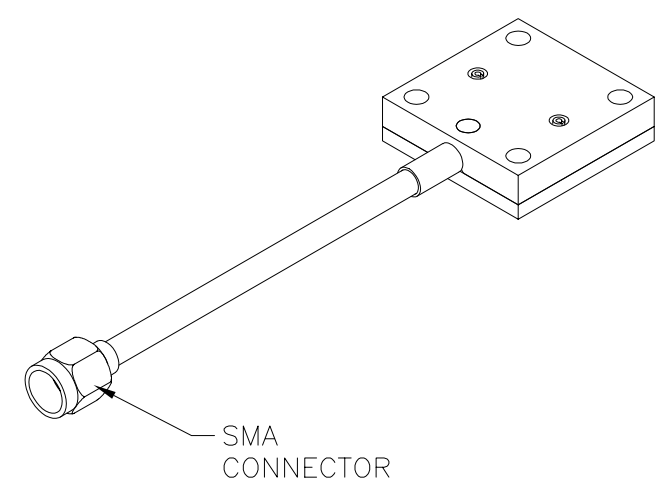
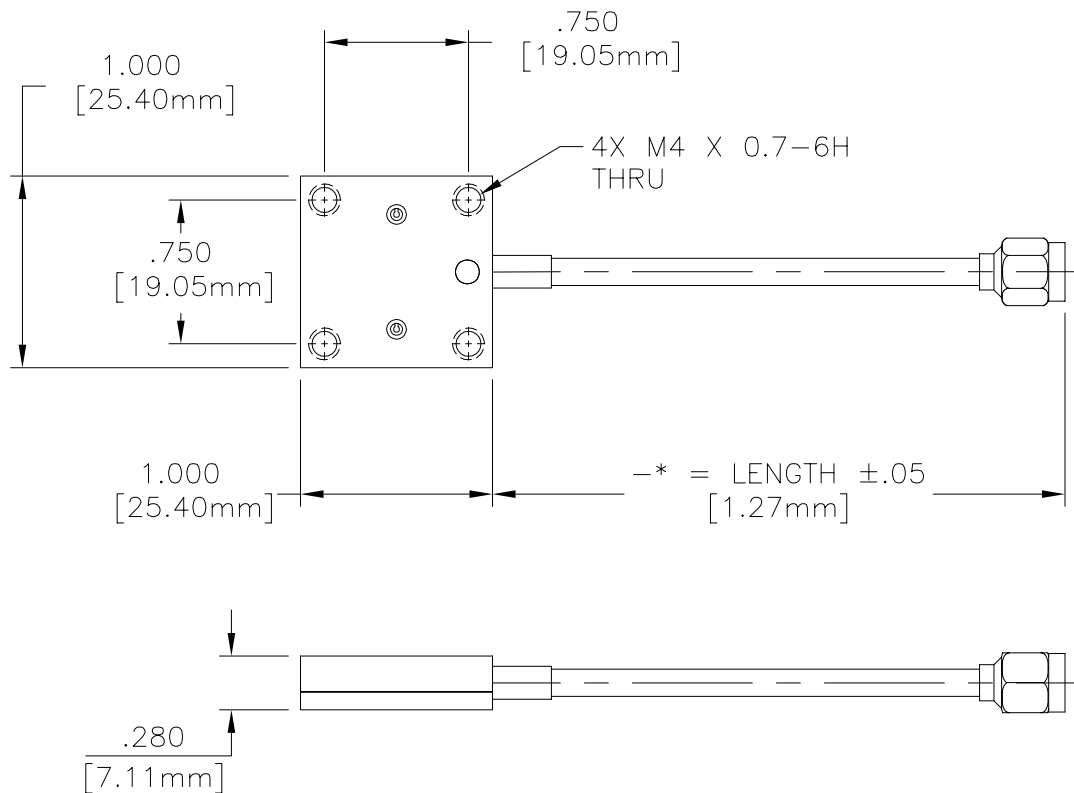
CAD#12-5051_2

DRAWING NO.:

12-5051-*


REV.

N/C



TECHNICAL:

RESISTANCE: 50.0 OHMS \pm 5%
 FREQUENCY: DC-2.0 GHz
 VSWR (MAX): 1.08:1
 POWER (MAX): 250 WATT @ 100°C
 MAX HEAT SINK TEMP

				ECN#: 00413	APVD	DATE	REFERENCE	 P.O. BOX 899 STUART, FL. 34995			
				UNLESS OTHERWISE SPECIFIED 1. DO NOT SCALE DRAWING 2. DIMENSIONS ARE IN INCHES 3. DIMENSIONS ARE AFTER PLATING 4. CORNERS, EDGES AND FILLETS: R MAX 5. SURFACE ROUGHNESS: 6. REMOVE ALL BURRS			MATERIAL	TITLE TERMINATION, COAXIAL REMOTE, 250 WATT			
							TOLERANCES .X \pm .XX \pm .XXX \pm ANGLES X° \pm				FINISH
				THE INFORMATION CONTAINED HEREIN IS PROPRIETARY TO FLORIDA RF LABS, INC. AND IS TO BE USED SOLELY FOR THE PURPOSE WHICH IT IS SUPPLIED. IT SHALL NOT BE DISCLOSED IN WHOLE OR IN PART, TO ANY OTHER PARTY, WITHOUT THE EXPRESS PERMISSION IN WRITING BY FLORIDA RF LABS, INC.			SCALE	CAGE CODE ID NO.	SIZE	DRAWING NO.:	REV.
								1/1	2Y194	A	12-5051-*
REV.	DESCRIPTION	DRAWN	APVD.				APVD.:	CHKD.:	DRAWN: BLP	SHEET	OF
									06/08/01		