

ATTENUATOR CHIP 10 WATT



DATA SHEET

PART SERIES: 83A7044XX.XXF

SHEET 1 OF 2
Dwg 83A7044F

EN 13-3506
Revision -

FEATURES

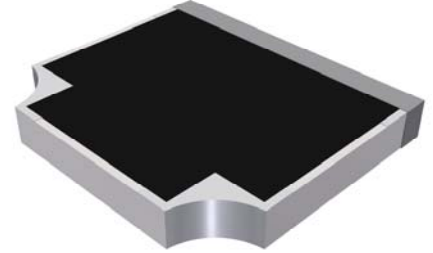
- Small Footprint
- High Power
- Surface Mount
- Low VSWR
- Easy Installation
- Wide Attenuation Offering

APPLICATIONS

- Mobile Networks
- Broadcast
- High Power Amplifiers
- Isolators/Circulators
- Military
- Instrumentation

GENERAL DESCRIPTION

EMC Technology offers the widest selection of chip attenuators worldwide. Chip components are offered in Alumina, Aluminum Nitride, Beryllium Oxide, and CVD diamond for maximum performance.



ORDERING INFORMATION

Part Identifier:

83A7044XX.XXF

└─ Attenuation Value

SPECIFICATIONS

1.0 ELECTRICAL

Nominal Impedance:	50 ohms
Frequency Range:	DC - 6.0 GHz
Attenuation Values Available:	See Table 1
Attenuation Accuracy:	See Table 1
Input Power CW:	10 watts @ 100 °C, derated linearly to zero power at 150 °C
Peak Power:	100 watts (based on 10us pulse width and 1% duty cycle)
VSWR:	See Table 1

TABLE 1

Attenuation Value	Frequency	Attenuation Accuracy	VSWR
1 – 10 dB	DC – 2.0 GHz	±0.4 dB	1.15:1 Max
	2.0 – 4.0 GHz	±0.7 dB	1.25:1 Max
	4.0 – 6.0 GHz	±0.9 dB	1.40:1 Max
15 and 20 dB	DC – 3.0 GHz	±0.5 dB	1.25:1 Max
	3.0 – 6.0 GHz	±1.0 dB	1.50:1 Max

2.0 ENVIRONMENTAL

Operating Temperature:	-55°C to +150°C
Non-operating Temperature:	-65°C to +150°C
Temperature Coefficient:	+/-200 PPM / °C max

3.0 MARKING

Unit Marking:	None
---------------	------

ATTENUATOR CHIP 10 WATT



DATA SHEET

PART SERIES: 83A7044XX.XXF

SHEET 2 OF 2
Dwg 83A7044F

EN 13-3506
Revision -

4.0 QUALITY ASSURANCE

Sample Inspect Per MIL-STD-105, Level II, 1.0% AQL.

Visual and Mechanical Inspection for Conformance to Outline Drawing

Measure Attenuation and VSWR

Data Retention - Standard

5.0 PACKAGING

Standard Packaging:

Tape and Reel

6.0 MECHANICAL

Substrate Material:

Aluminum Nitride

Resistive Film:

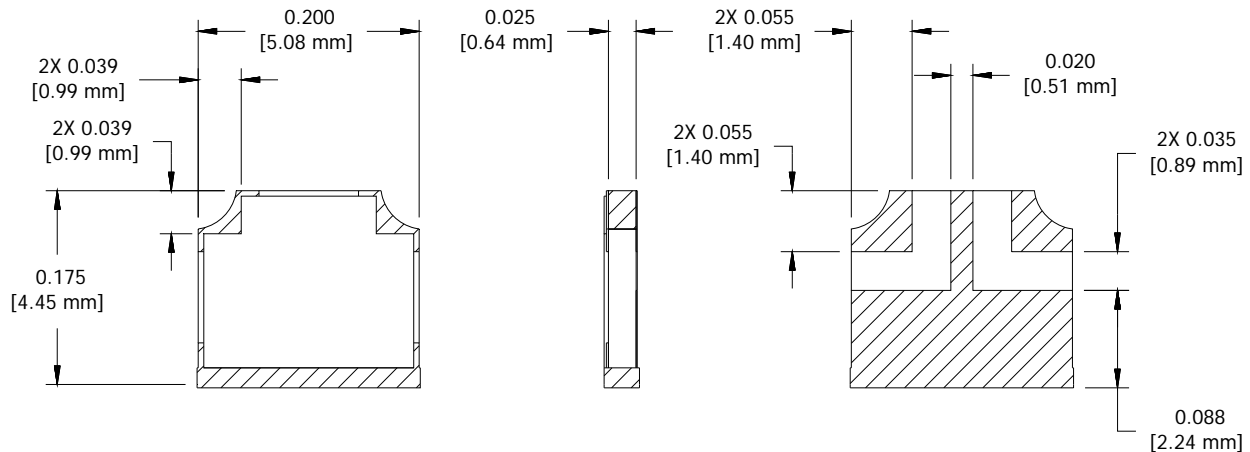
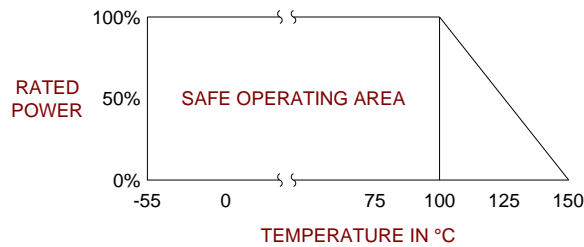
Thick Film

Terminal Material:

Thick film, silver plated

Metric Dimensions:

Provided for reference only



Unless Otherwise Specified: TOLERANCE: X.XX = ± 0.02 X.XXX = ± 0.010