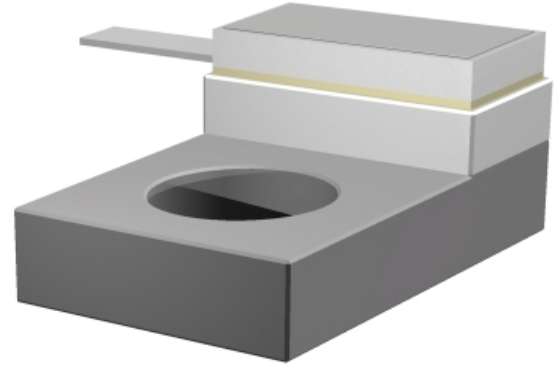


FEATURES

- Tab Launch
- High Power
- Integrated Heat Sink
- Low VSWR

APPLICATIONS

- Mobile Networks
- Broadcast
- High Power Amplifiers
- Instrumentation
- Isolators
- Military
- Satellite Communications



GENERAL DESCRIPTION

Florida RF Labs offers the widest selection of flange mount terminations worldwide. High power flange mount components offer excellent performance and the convenience of bolt-in installation. The flanged mounted devices deliver power ratings up to 1000 watts and frequency ranges from DC to 18 GHz. The packages are available in single hole, double hole and four hole flange configurations.

SPECIFICATIONS

1.0 ELECTRICAL

Nominal Impedance:	50 Ω
Frequency Range:	DC – 4.0 GHz
VSWR:	1.35:1 Max
Temperature Coefficient:	±200 PPM/°C Max
Power Rating:	10 Watts
Operating Temperature:	-55 °C To +150 °C
DC Resistance:	50 Ω ±5%

2.0 MECHANICAL

Flange:	Copper, Nickel Plated
Substrate:	Beryllium Oxide
Cover:	Alumina
Tab:	Beryllium Copper, Tin Lead Plated
Resistive Element:	Thin Film

3.0 UNIT MARKING

Ohms Value

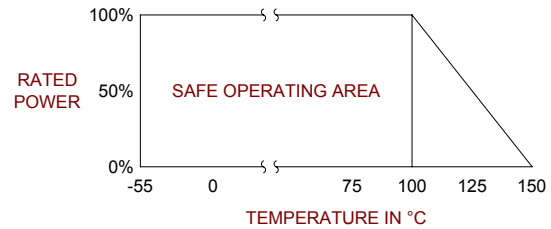
4.0 PACKAGING

Standard:	Tray Packaging
Optional:	Available Upon Request

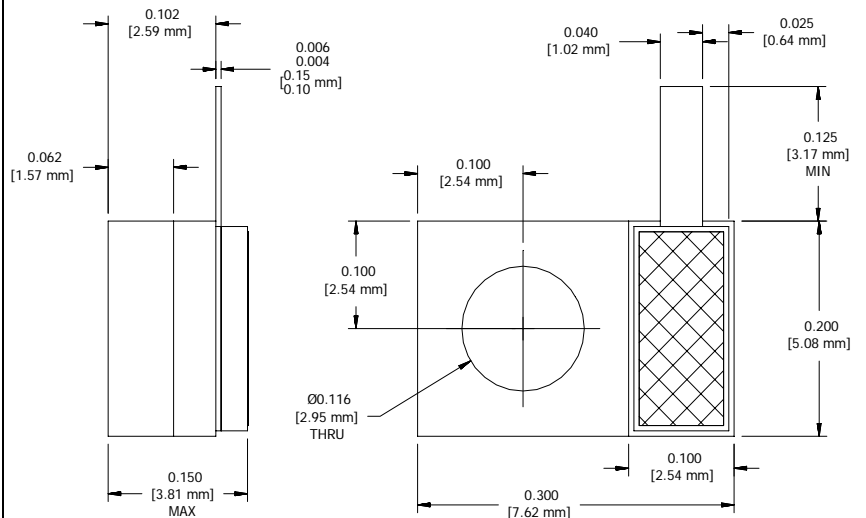
5.0 PART NUMBERING

Part Identifier:	32-1041
------------------	---------

POWER RATING AND DERATING



MECHANICAL OUTLINE



Note: Specifications are subject to change without notice.

Unless Otherwise Specified: TOLERANCE: .XXX = ± .010