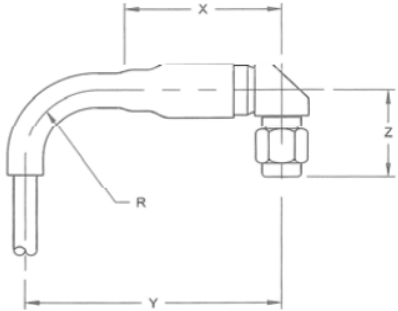
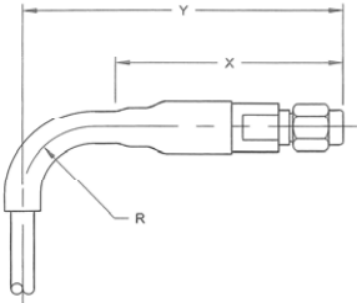


# Flexible Cable Connector Envelopes Guidelines

DOCUMENT No: CONNECTOR ENVELOPES

SHEET 1 OF 1  
REV -

**Flexible Cable Connector Envelopes Guidelines (dimensions in inches)**



Bend Radius (R) in. (mm)	Standard Flexible Under .150 in. dia			Standard Flexible Over .150 in. dia		
	0.50 (12.7)			1.0 (25.4)		
	X	Y	Z	X	Y	Z
SMS SMA Male Straight	1.00	1.50		1.00	2.00	
SMR SMA Male Right Angle	0.85	1.35	0.53	0.85	1.85	0.53
SFS SMA Female Straight	1.00	1.50		1.00	2.00	
TMS TNC Male Straight	1.35	1.85		1.35	2.35	
TMR TNC Male Right Angle	1.40	1.90	0.85	1.50	2.50	0.85
TFS TNC Female Straight	1.50	2.00		1.00	2.00	
NMS Type N Male Straight	1.35	1.85		1.35	2.35	
NMR Type N Male Right Angle	1.40	1.90	0.85	1.50	2.50	0.85
NFS Type N Female Straight	1.50	2.00		1.60	2.60	

Bend Radius (R) in. (mm)	Lab-Flex® 135/160			Lab-Flex® 200			Lab-Flex® 290			Lab-Flex® 335			Lab-Flex® 290AW		
	0.6/0.9 (15.2/22.9)			1.0 (25.4)			1.6 (40.6)			2.0 (50.8)			3.0 (76.2)		
	X	Y	Z	X	Y	Z	X	Y	Z	X	Y	Z	X	Y	Z
SMS SMA Male Straight	1.44	2.34		1.44	2.44		1.73	3.33		1.73	3.73		1.73	4.73	
SMR SMA Male Right Angle	0.85	1.75		1.05	2.05	0.60	1.79	3.39	0.70	1.79	3.79	0.70	1.79	4.79	0.70
SFS SMA Female Straight	1.00	1.90		1.28	2.28		1.50	3.10		1.50	3.50		1.50	4.50	
SFBS SMA Female Bulkhead				1.33	2.33		1.90	3.50		1.90	3.90		1.90	4.90	
TMS TNC Male Straight	2.07	2.97	2.77	1.26	2.26		1.74	3.34		1.74	3.74		1.74	4.74	
TMR TNC Male Right Angle				1.15	2.15	0.85	1.54	3.14	0.81	1.54	3.54	0.81	1.54	4.54	0.81
TFS TNC Female Straight				1.60	2.60		1.65	3.25		1.65	3.65		1.65	4.65	
TNC Female Bulkhead				1.48	2.48		1.90	3.50		1.90	3.90		1.90	4.90	
NMS Type N Male Straight	1.30	2.20		1.29	2.29		1.73	3.33		1.73	3.73		1.73	4.73	
NMR Type N Male Right Angle				1.03	2.03	0.84	1.55	3.15	0.84	1.55	3.55	0.84	1.55	4.55	0.84
NFS Type N Female Straight				1.55	2.55		1.85	3.45		1.85	3.85		1.85	4.85	
NFBS Type N Female Bulkhead				1.53	2.53		2.00	3.60		2.00	4.00		2.00	5.00	
2.4, 2.9, 3.5 mm Male Straight	1.41	2.31		1.28	2.28										
2.4, 2.9, 3.5 mm Female Straight	1.49	2.39		3.28	4.28	4.11									
KFBS 2.9 mm Female Bulkhead	1.39	2.29													
A7 7 mm (APC7)				1.72	2.72										