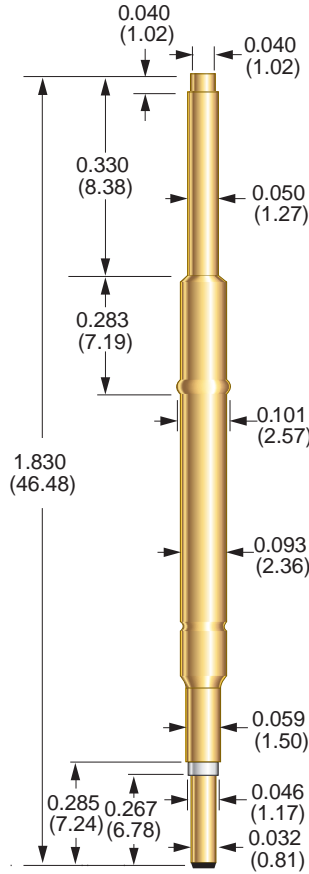
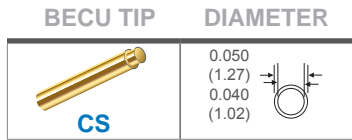


► **SIZE 3 SWITCH PROBE SERIES**

0.125 (3.18) Centers

Does not require a receptacle. The barrel of the switch probe is designed to mount directly in the mounting plate



**PROBE SPECIFICATIONS**

<b>Minimum Centers</b>	0.125 (3.18)
<b>Current Rating</b>	3 A continuous
<b>Spring Force</b>	4.00 oz (114 g) @ 0.197 (5.00) travel
<b>Preload Force</b>	1.40 oz (40 g)
<b>Maximum Travel</b>	0.295 (7.49)
<b>Working Travel</b>	0.197 (5.00)
<b>Travel to Switch Point</b>	0.025 (0.64)
<b>Spring Force at Switch Point</b>	1.80 oz. (51 g)

**MATERIALS**

<b>Barrel</b>	Nickel/silver, gold plated
<b>Spring</b>	Music wire
<b>Plungers</b>	Full-hard beryllium copper, gold plated
<b>Insulator</b>	Delrin
<b>Contact</b>	Beryllium copper, gold plated

**MOUNTING**

<b>Drill Size</b>	#41
<b>Mounting Hole Size</b>	0.094/0.096 (2.39/2.44)

**HOW TO ORDER**

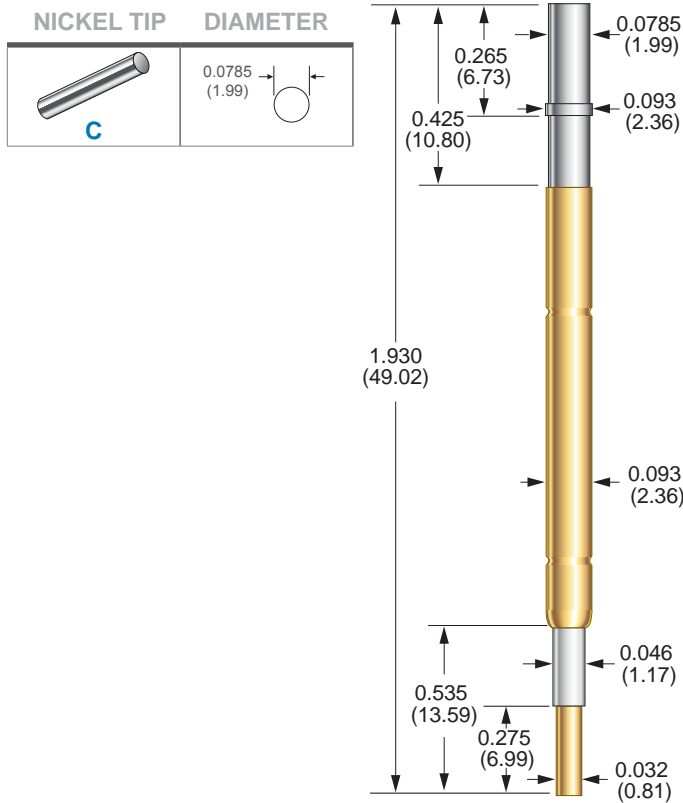
SW - 3 - CS - 1.8 - G  
 1 2 3 4 5

<b>1</b> ► SERIES	SW
<b>2</b> ► SIZE	3
<b>3</b> ► TIP STYLE	CS
<b>4</b> ► SPRING FORCE AT SWITCH	1.8 oz.
<b>5</b> ► PLUNGER PLATING	G GOLD

## ► SIZE 4 SWITCH PROBE SERIES

0.156 (3.96) Centers

For R-4-CR Series Receptacles see pg. 73



### PROBE SPECIFICATIONS

<b>Minimum Centers</b>	0.156 (3.96)
<b>Current Rating</b>	3 A continuous
<b>Spring Force</b>	4.80 oz (136 g) @ 0.120 (3.05) travel
<b>Preload Force</b>	2.50 oz (71 g)
<b>Maximum Travel</b>	0.160 (4.06)
<b>Working Travel</b>	0.120 (3.05)
<b>Travel to Switch Point</b>	0.107 (2.72)
<b>Spring Force at Switch Point</b>	4.40 oz. (125 g)

### MATERIALS

<b>Barrel</b>	Nickel/silver, gold plated
<b>Spring</b>	Stainless steel
<b>Plunger</b>	Beryllium copper, nickel plated
<b>Insulator</b>	Delrin
<b>Contact</b>	Beryllium copper, gold plated

## HOW TO ORDER

SW - 4 - C - 4.4 - EN

1    2    3    4    5

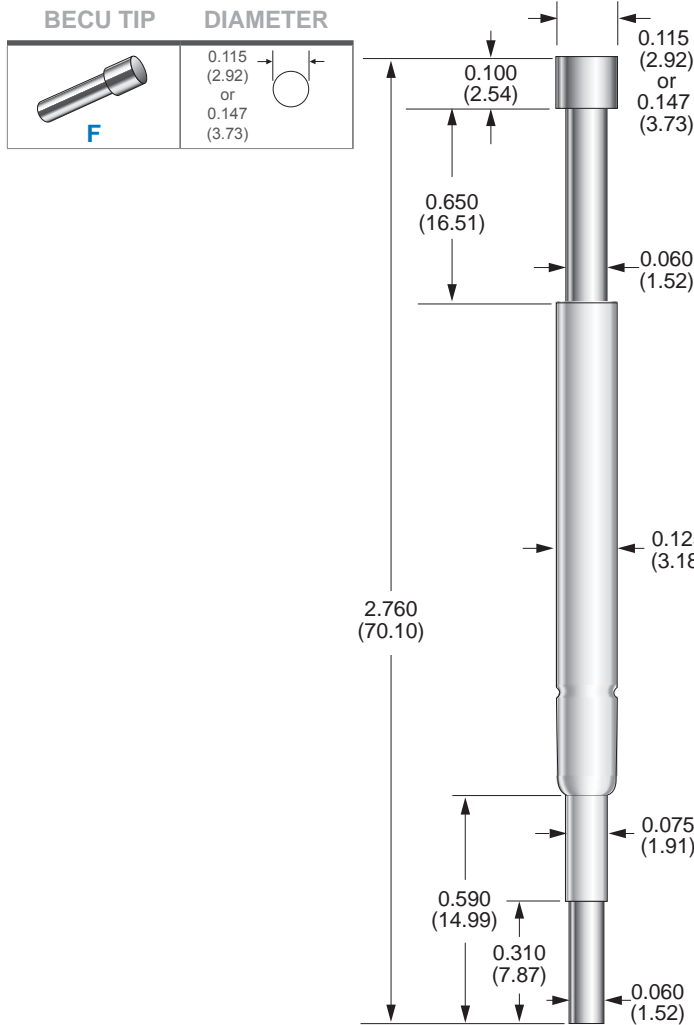
<b>1</b> ► SERIES	SW
<b>2</b> ► SIZE	4
<b>3</b> ► TIP STYLE	C
<b>4</b> ► SPRING FORCE AT SWITCH	4.4 oz.
<b>5</b> ► PLUNGER PLATING	EN NICKEL

1. The size 3 switch probe shown does not require a receptacle. The barrel of the switch probe is designed to mount directly in the mounting plate.  
 Dimensions are in inches (mm) | All specifications are subject to change

► **SIZE 5 SWITCH PROBE SERIES**

0.187 (4.75) Centers

For R-5-SW Series Receptacles see pg. 74



**PROBE SPECIFICATIONS**

<b>Minimum Centers</b>	0.187 (4.75)
<b>Current Rating</b>	3 A continuous
<b>Spring Force</b>	8.60 oz (244 g) or 20.40 oz (579 g) @ 0.137 (3.48) travel
<b>Preload Force</b>	1.80 oz (51 g) (8.60 oz spring/stainless steel) 5.20 oz (148 g) (20.40 oz spring/music wire)
<b>Maximum Travel</b>	0.190 (4.83)
<b>Working Travel</b>	0.137 (3.48)
<b>Travel to Switch Point</b>	0.030 (0.76)
<b>Spring Force at Switch Point</b>	4.00 oz. (113 g) (8.60 oz spring/stainless steel) or 10.30 oz. (293 g) (20.40 oz spring/music wire)

**MATERIALS**

<b>Barrel</b>	Nickel/silver, silver plated
<b>Spring</b>	Music wire or stainless steel
<b>Plunger</b>	Beryllium copper, nickel plated
<b>Insulator</b>	Delrin
<b>Contact</b>	Beryllium copper, nickel plated

**HOW TO ORDER**

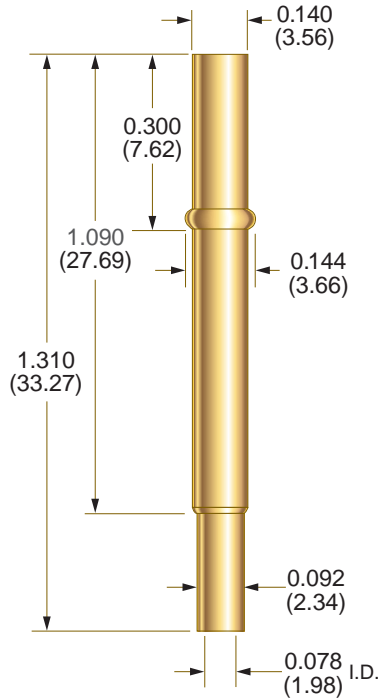
<b>SW - 5 - F - 4 - EN - 115</b>	
1      2      3      4      5      6	
<b>1</b> ► SERIES	SW
<b>2</b> ► SIZE	5
<b>3</b> ► TIP STYLE	F
<b>4</b> ► SPRING FORCE AT SWITCH	4 oz.      10.3 oz.
<b>5</b> ► PLUNGER PLATING	EN NICKEL
<b>6</b> ► HEAD DIAMETER	115 0.115 IN.    147 0.147 IN.



## R-5-SW SERIES

0.187 (4.75) Centers

For Size 5 Switch Probes see pg. 41



### PROBE SPECIFICATIONS

Minimum Centers	0.187 (4.75)
Drill Size	3.60 mm
Mounting Hole Size	0.141/0.143 (3.58/3.63)
Materials	Nickel/silver, gold plated

### TOOLS

Insertion Tool	RT-5
----------------	------

### HOW TO ORDER

	<b>R - 5 - SW</b> <small>1      2      3</small>
<b>1</b> SERIES	R
<b>2</b> SIZE	5
<b>3</b> TERMINATION	SW SWITCH