

Features

- Substrates - BeO, AlN, Alumina and CVD Diamond
- Commercial and High Reliability Product Lines
- Frequency Range from DC to 50 GHz
- Attenuation Values from 0 to 30 dB
- Space and Military Qualified
- Surface Mount, Wire-Bondable and Coaxial Configurations

Benefits

- Small Footprint
- Totally Passive
- Power Handling up to 400 Watts
- Several Metallization Options Available, Including a RoHS Compliant Version

Applications

- Circulators
- High Power Amplifiers
- Receivers
- Filters
- Isolators
- Signal Sampling
- Interstage Isolation
- Impedance Matching

*For our CVD Diamond Attenuators see **Diamond Rf Resistives®** on pages 65 to 74*



We are the world leader in fixed attenuators from DC through Q band. Fixed attenuators are available in 0.1 to 400 watt versions, covering DC to 50 GHz applications and offered in 0 to 30 dB values. Our attenuators are available in many package styles including chip, tab & cover, flange and coaxial models for use in both low and high power applications. These products are available in standard commercial product as well as high reliability versions.

Quick Selector Chart

Series	Frequency (GHz)	Power (Watts)	Footprint mm [inches]		Page
TS03	DC - 12.4	2	3.10 x 3.68	[0.122 x 0.145]	18
TS04	DC - 6.0	1	3.18 x 2.54	[0.125 x 0.100]	23
TS05	DC - 18.0	0.1	1.52 x 1.91	[0.060 x 0.075]	19
TS06	DC - 20.0	0.2	0.89 x 1.65	[0.035 x 0.065]	24
TS07	DC - 6.0	0.1	2.03 x 1.27	[0.080 x 0.050]	23
TS09	DC - 20.0	0.2	1.78 x 1.52	[0.070 x 0.060]	22
KFA	16.0 - 36.0	0.2	3.05 x 1.65	[0.120 x 0.065]	20
QFA	36.0 - 50.0	0.2	3.05 x 1.65	[0.120 x 0.065]	21
HPCA	DC - 2.5	20	6.22 x 6.22	[0.245 x 0.245]	25
83 Chip	DC - 18.0	120*	Various	Various	26-27
Tab & Cover	DC - 4.0	250*	Various	Various	28-30
Flange	DC - 4.0	400*	Various	Various	31-33
42 Coaxial	DC - 18.0	2	Various	Various	36
HR03	DC - 12.4	2	3.10 x 3.68	[0.122 x 0.145]	35
HR05	DC - 18.0	0.1	1.52 x 1.91	[0.060 x 0.075]	34

* Maximum Power

42 Series (18.0 GHz)

Coaxial SMA Attenuator



Bridging the gap between EMC Technology components and Florida RF Labs cable assemblies, our line of precision coaxial attenuators offer an easy to use attenuation solution for applications with up to 2 watts of input power. The rugged construction of the device ensures reliability and uninterrupted high performance with operating frequencies up to 40 GHz.

Features

- Rugged Construction
- Excellent Performance
- Value Pricing
- Subsystem Connector Interface
- SMA & 2.92mm

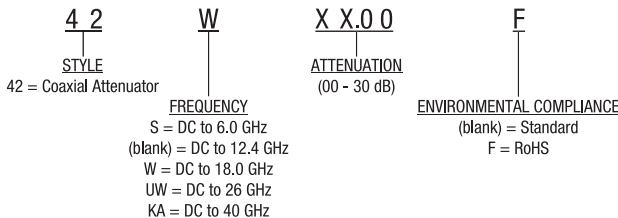
General Specifications

Impedance	Power	Operating Temperature	Pins	Body & Nut
50 Ohms	2 Watts	-55°C to +150°C	Beryllium Copper, Gold Plated	Stainless Steel, Passivated

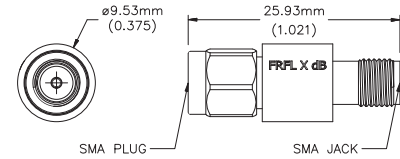
Series Specifications

Series	Frequency Range	Connector	VSWR (Max)
42S	DC to 6.0 GHz	SMA Male/Female	1.35
42	DC to 12.4 GHz	SMA Male/Female	1.30
42W	DC to 18.0 GHz	SMA Male/Female	1.35
42UW	DC to 26 GHz	SMA Male/Female	1.50
42KA	DC to 40 GHz	2.92 Male/Female	1.40

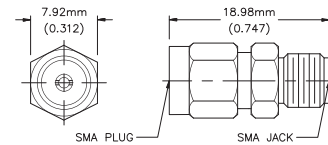
Part Numbering Code



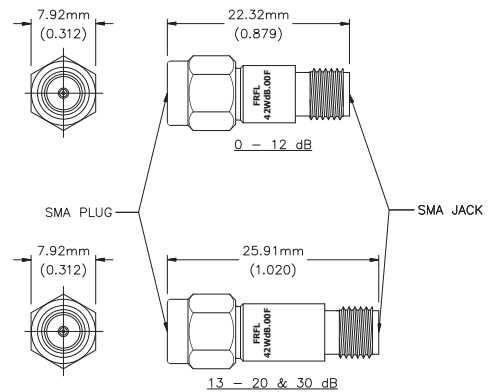
42S Series



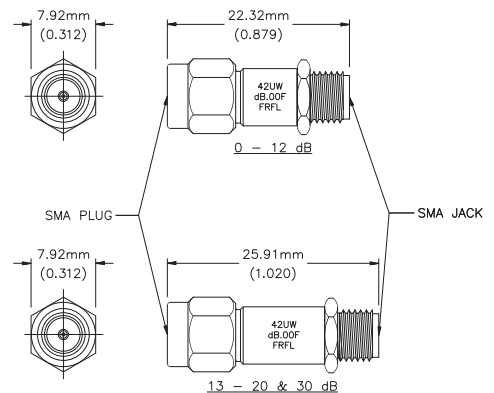
42 Series



42W Series



42UW Series



42KA Series

