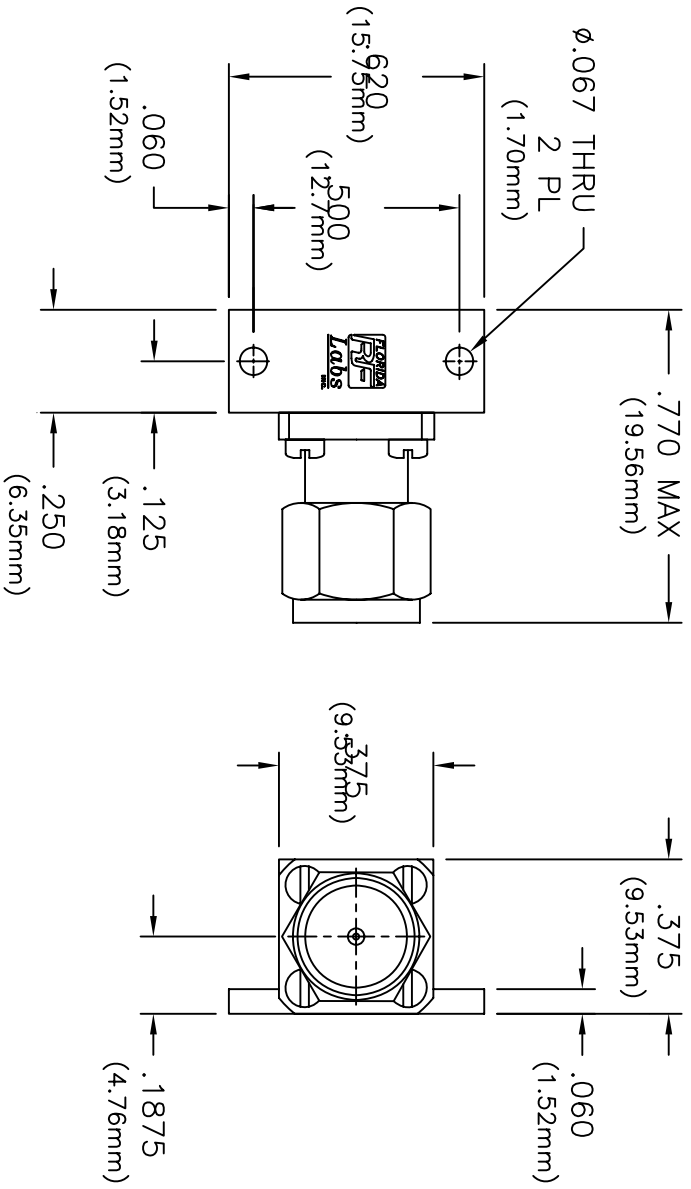


UNLESS OTHERWISE SPECIFIED TOLERANCES ARE $\pm .005"$ (.127mm)



MATERIALS:

- BASE HOUSING: ALUMINUM
- SUBSTRATE: BERYLLIUM OXIDE
- RESISTIVE FILM: NICHROME
- SCREWS: STAINLESS STEEL
- CONNECTOR:
 - BODY & C. NUT: STAINLESS STEEL PER QQ-S-764
 - CONTACT: BERYLLIUM COPPER PER QQ-C-530
 - COND. H. ALLOY 173
 - INSULATOR: TEFLON PER MIL-P-19468
- FINISH:
 - BASE HOUSING: NICKEL PER QQ-N-290A
 - CONNECTOR:
 - BODY & C. NUT: CORROSION RESISTANT IAW MIL-STD-202
 - CONTACT: GOLD PER MIL-G-45204B

DRAWING NO. 12-3001SM

REV. A

REV.	DESCRIPTION	DATE	APPR.
A	EN 08-F0808	09/08	
N/C	RLSE#02360	04/98	

UNLESS OTHERWISE SPECIFIED


1. DIMENSIONS ARE AFTER PLATING
2. DIAMETERS ON COMMON Q TO BE CONCENTRIC WITHIN \pm T.I.R.
3. SURFACE ROUGHNESS
4. CORNERS AND EDGES R. MAX. ✓
5. REMOVE BURRS AND BREAK SHARP EDGES

TOLERANCES

DECIMAL	FRACTION	ANGLES
.X	$\frac{\quad}{\quad}$	\pm
.XX	\pm	\pm
.XXX	\pm	\pm

ALL DIMENSIONS ARE IN INCHES

REFERENCE	CATALOG
MATERIAL	
FINISH	
SCALE	CAGE CODE ID NO.
2X	2Y194
APPR.	CHK
SIZE	A



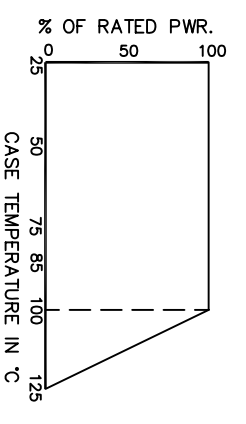
 P.O. BOX 899
 STUART, FL. 34995


TITLE
 TERMINATION, SMA
 PLUG, 15 WATT

DRAWING NO. 12-3001SM
 DRAWN GFC 04/01/98
 SHEET 1 OF 2

DRAWING NO. 12-3001SM
REV. A

REQUIREMENTS	RATING	REQUIREMENTS	RATING
NOMINAL IMPEDANCE (OHMS)	50	INTERFACE DIMENSIONS	MIL-STD-39012 /SMA Series
FREQUENCY RANGE (GHZ)	DC - 18.0	VIBRATION	MIL-STD-202 METHOD 204 COND. D (20 G's)
TEMPERATURE COEFFICIENT	LESS THAN 200 PPM	SHOCK	MIL-STD-202 METHOD 213 COND. 1 (100 G's)
OPERATING TEMPERATURE (°C)	-55 TO +125	THERMAL SHOCK	MIL-STD-202 METHOD 107 COND. B (-65 TO +125)°C
VSWR (MAXIMUM)	DC-18.0 GHz: 1.20:1	BAROMETRIC PRESSURE	MIL-STD-202 METHOD 105 COND. C
AVERAGE POWER (WATTS)	15	AVERAGE POWER DERATING	
DC RESISTANCE	50 OHMS ±2%		



TITLE TERMINATION, SMA PLUG, 15 WATT	 P.O. BOX 899 Stuart, FL. 34995	DRAWN GEC 04/01/98 SHEET 2 OF 2	DRAWING NO. 12-3001SM	REV. A
--------------------------------------	--	------------------------------------	-----------------------	--------