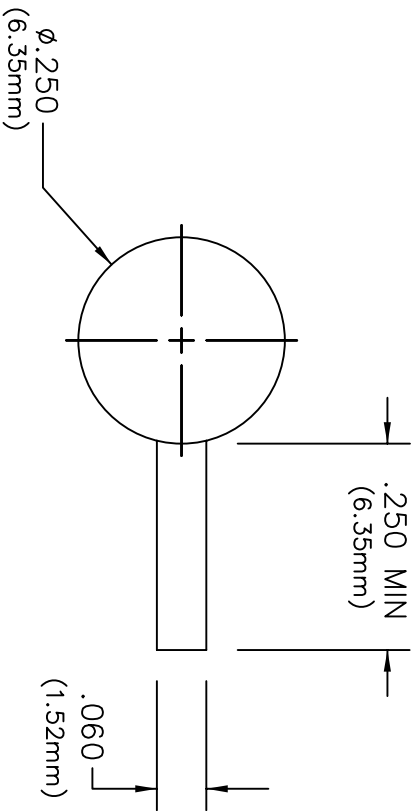
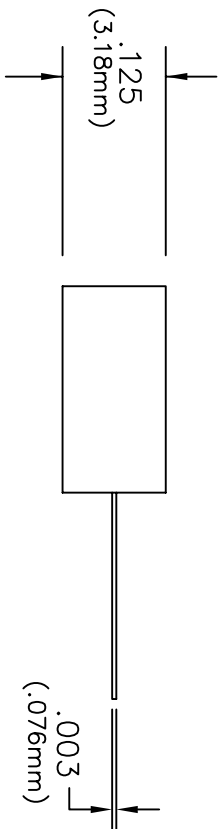


UNLESS OTHERWISE SPECIFIED TOLERANCES ARE ± .010"



DRAWING NO. 22-1002 REV. D

MATERIALS:

BODY: BRASS PER QQ-B-626
 CONTACT: BERYLLIUM COPPER PER QQ-C-533

FINISH:

BODY: GOLD PER MIL-G-45204
 CONTACT: GOLD PER MIL-G-45204

- UNLESS OTHERWISE SPECIFIED
1. DIMENSIONS ARE AFTER PLATING
 2. DIAMETERS ON COMMON Q TO BE CONCENTRIC WITHIN T.I.R.
 3. SURFACE ROUGHNESS ✓
 4. CORNERS AND EDGES R. MAX.

TOLERANCES		
DECIMAL	FRACTION	ANGLES
.X ±	±	±
.XX ±	±	±
.XXX ±	±	±

ALL DIMENSIONS ARE IN INCHES

REV.	DESCRIPTION	DATE	APPR.
D	08-F0754	8/08	
N/C	RLSE#01944	1/96	

REFERENCE	MATERIAL			TITLE
	FINISH			TERMINATION, STRIPLINE
	SCALE	CAGE CODE ID NO.	SIZE	DRAWING NO.
	4X	2Y194	A	22-1002
	APPR.	CHK	DRAWN	REV.
			PSC	D
			01/16/96	
			SHEET	OF
			1	2

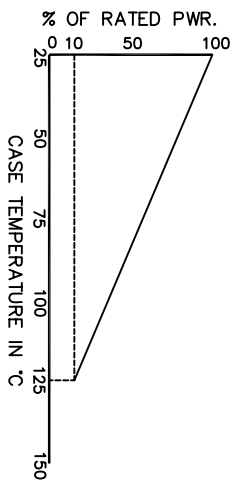


P.O. BOX 2207
 PALM CITY, FL. 34990

3 WATT, NON-RESILIENT

		DRAWING NO.	22-1002	REV.	D
--	--	-------------	---------	------	---

REQUIREMENTS	RATING	REQUIREMENTS	RATING
NOMINAL IMPEDANCE	50 OHMS	VIBRATION	MIL-STD-202 METHOD 204 COND. D (20 G's)
FREQUENCY RANGE	DC- 18.0 GHz	SHOCK	MIL-STD-202 METHOD 213 COND. 1 (100 G's)
TEMPERATURE COEFFICIENT	LESS THAN 200 PPM	TEMPERATURE CYCLING	MIL-STD-202
TEMPERATURE RATING (°C)	-55 TO +125	MOISTURE RESISTANCE	MIL-STD-202 METHOD 106 LESS STEP 7B
VSWR	1.50 MAX	SOLDERABILITY	MIL-STD-202 METHOD 208
AVERAGE POWER (WATTS)	3	RESISTANCE TO SOLDER HEAT	MIL-STD-202 METHOD 210 COND. A
DC RESISTANCE	50 OHMS ± 5%		
AVERAGE POWER DERATING.			



TITLE	TERMINATION, STRIPLINE 3 WATT, NON-RESILIENT	DRAWN	PSC 01/16/96	DRAWING NO.	22-1002	REV.	D
		SHEET	2 OF 2				
		FLORIDA RF LABS, INC PALM CITY, FL 34990					