

## ORDERING INFORMATION

## PART IDENTIFIER: 42XX

→ Attenuation Value (See Table 1).



## SPECIFICATIONS

## 1. ELECTRICAL:

Nominal Impedance:	50 Ω.
Frequency Range:	DC – 12.4 GHz.
Attenuation Values Available:	0 – 20 dB in 1 dB increments.
Attenuation Accuracy:	See Table 1.
Input Power CW:	2 Watts @ 25°C heat sink, derated linearly to zero power at 125°C.
Peak Power:	20 Watts (based on 10μs pulse width and 1% duty cycle).
VSWR:	See Table 1.

TABLE 1			
ATTENUATION ACCURACY (dB)			
dB VALUE	DC – 4 GHz	4 – 8 GHz	8 – 12.4 GHz
0	-0, + 0.3	-0, +.5	-0, +.5
1 – 3	± 0.3	± 0.5	± 0.75
4 – 6	± 0.4	± 0.8	± 1.0
7 – 10	± 0.5	± 0.9	± 1.0
11 – 15	± 0.75	± 1.0	± 2.0
16 - 20	± 1.0	± 1.0	± 2.0
VSWR (MAX)			
dB VALUE	DC – 4 GHz	4 – 12.4 GHz	
0 - 20	1.2:1 Max	1.3:1 Max	

## 2. ENVIRONMENTAL:

Operating Temperature:	-55°C to +125°C.
Non-operating Temperature:	-65°C to +150°C.
Temperature Coefficient:	+/-200 PPM / °C max.

## 3. MARKING:

Unit Marking: Logo, dB Value and frequency, legibility, and permanency per MIL-STD-130.

**4. QUALITY ASSURANCE:**

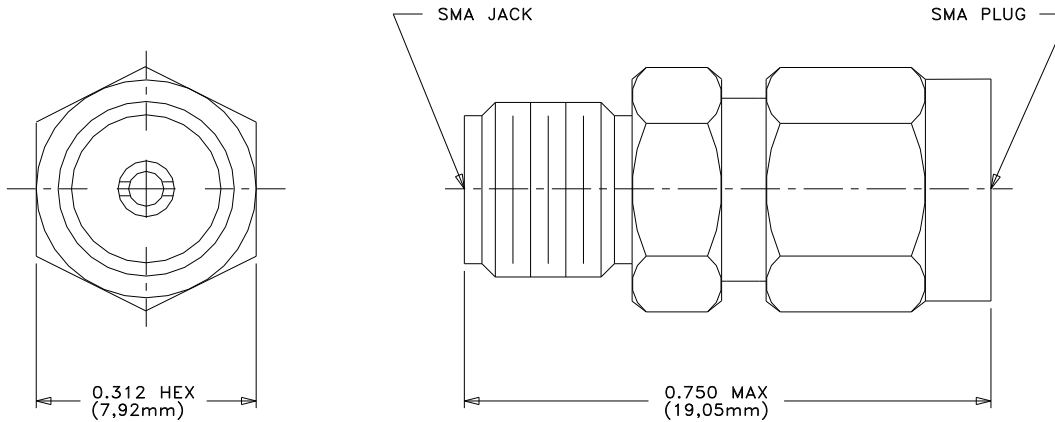
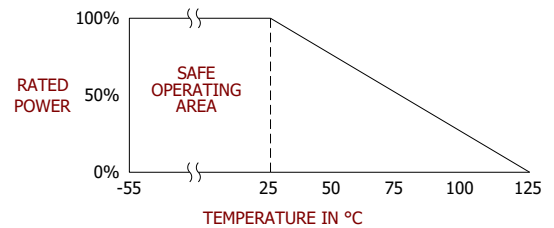
Sample Inspect Per MIL-STD-105, Level II, 1.0% AQL.  
 Visual and Mechanical Examination for Conformance to Outline Drawing.  
 Measure Attenuation and VSWR.  
 Data Retention – Standard.

**5. PACKAGING:**

Standard Packaging: Tube.

**6. MECHANICAL:**

Body and Nut Material: Stainless Steel.  
 Body and Nut Finish: Passivated.  
 Center Contact Material: Beryllium Copper.  
 Center Contact Finish: Gold Plated.  
 Dielectric: Teflon.  
 Resistive Element: Thick Film.  
 Torque: 8 in-lbs. maximum.  
 Metric Dimensions: Provided for reference only.



Unless Otherwise Specified: TOLERANCE: X.XX = ± 0.01 X.XXX = ± 0.005.