

TITLE: SPECIFICATION CONTROL DRAWING

PART IDENTIFIER: 8121

DESCRIPTION: 50 OHM FLANGE LOAD

ASSEMBLY DWG: 2101134

1.0 SPECIFICATIONS:

- 1.1 ELECTRICAL:
 - 1.1.1 IMPEDANCE: 50 OHMS NOMINAL.
 - 1.1.2 FREQUENCY RANGE: DC - 26.5GHZ.
 - 1.1.3 INPUT POWER (MAX @ 60°C): (DERATED LINEARLY TO ZERO POWER @ 150°C)
 - 1.1.3.1 AVERAGE: 1 WATT:
 - 1.1.3.2 PEAK: 100 WATTS (100US PULSE WIDTH AND 0.1% DUTY CYCLE).
 - 1.1.4 VSWR:
 - DC TO 4.0 GHZ - 1.10 MAX.
 - 4.0 TO 8.0 GHZ - 1.15 MAX.
 - 8.0 TO 12.0 GHZ - 1.15 MAX.
 - 12.0 TO 26.5 GHZ - 1.20 MAX.
- 1.2 MECHANICAL:
 - 1.2.1 OUTLINE DWG: SEE SHEET 2.
- 1.3 ENVIRONMENTAL:
 - 1.3.1 TEMPERATURE RANGE:
 - 1.3.2.1 NON-OPERATING: -55° C TO +150° C.
 - 1.3.2.2 OPERATING: -55°C TO +150°C.
 - 1.3.2 VIBRATION: PER MIL-STD-202, METHOD 201 AND MIL-D-39030.
 - 1.3.3 SHOCK: PER MIL-STD-202, METHOD 213, COND. I.
 - 1.3.5 MOISTURE: PER MIL-STD-202, METHOD 106 AND MIL-D-39030 EXCEPT LOADING VOLTAGE IS NOT APPLICABLE.

2.0 UNIT MARKING: "EMCT"
LEGIBILITY AND PERMANENCY PER MIL-STD-130.

3.0 QUALITY ASSURANCE:

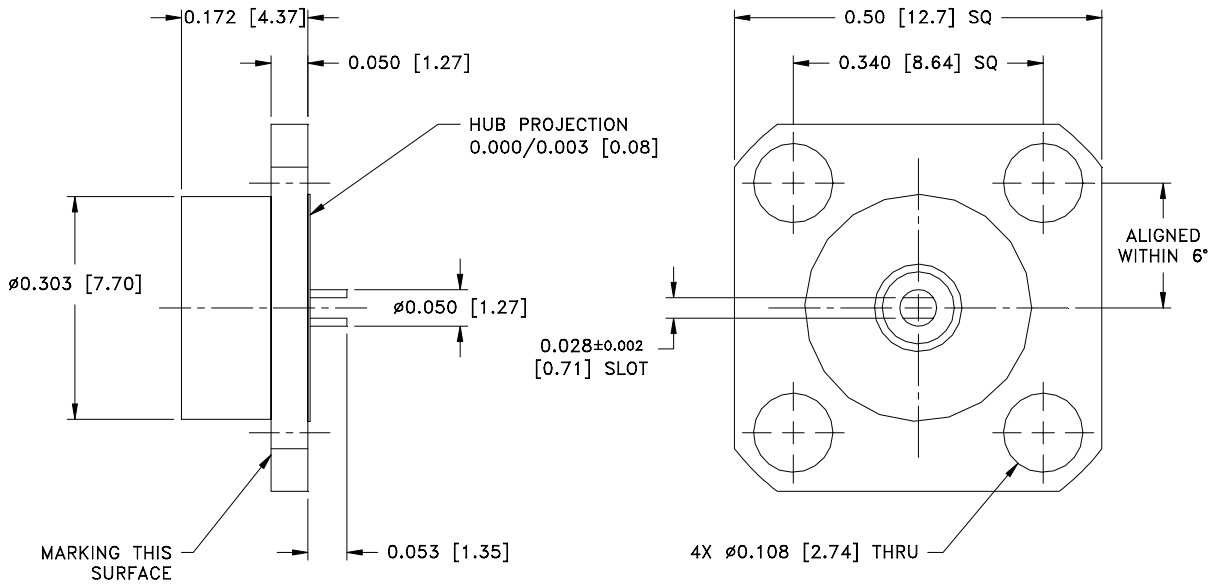
- 3.1 PERFORM INSPECTION IN ACCORDANCE WITH QA0006 AND FORM0357 FOR COMMERCIAL GRADE PRODUCT.
- 3.2 TEST DATA REQUIREMENTS:
 - 3.2.1 NO TEST DATA REQUIRED FOR CUSTOMER.
 - 3.2.2 DATA RETENTION – 24 MONTHS.

4.0 PACKAGING: STANDARD PACKING PER MC0023.

ENG		PUR		MFG		PLAN		SM		
CC				QA						
EMC TECHNOLOGY, INC 1971 OLD CUTHBERT ROAD CHERRY HILL, NJ 08034		CAGE CODE # 24602					DWG #	1004915000		
		CHANGE NOTICE		EN 02-335			REV LVL	-		
							SHEET	1 OF 2		

PART ID REF

8121



MECHANICAL SPECIFICATIONS:

FLANGE FACE:

MATERIAL - ALUMINUM ALLOY, QQ-A-250.
FINISH - CHROMATE, MIL-C-5541.

FLANGE HUB:

MATERIAL - ALUMINUM ALLOY, QQ-A-225.
FINISH - CHROMATE, MIL-C-5541.

PIN:

MATERIAL - BERYLIUM COPPER, ASTM B197.
FINISH - GOLD, MIL-G-45204, TYPE II, CLASS 1.

DIELECTRIC:

MATERIAL - AIR.

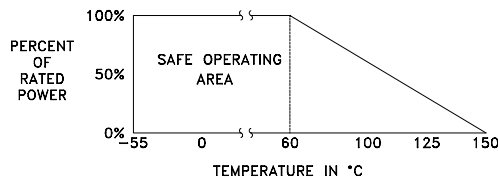
CERAMIC:

MATERIAL - ALUMINA, MIL-I-10.



METRIC EQUIVALENTS GIVEN IN [mm]
FOR REFERENCE INFORMATION ONLY

POWER RATING AND DERATING



1971 OLD CUTHBERT RD
CHERRY HILL NJ 08034
PHONE NO. (856) 429-7800
FAX NO. (856) 429-1807

UNLESS OTHERWISE
SPECIFIED DIMENSIONS
ARE IN INCHES
TOLERANCES
FRACT --- ---
ANG --- ---
XX ±0.01
XXX ±0.005
XXXX --- ---

THESE DRAWINGS AND SPECIFICATIONS ARE THE PROPERTY OF EMC TECHNOLOGY INC AND SHALL NOT BE DUPLICATED
OR USED AS BASIS FOR THE MANUFACTURE OR SALE OF PARTS OR DEVICES WITHOUT PERMISSION.

CAGE CODE	SCALE	DRAWN BY	CHECKED BY	APPROVED BY
24602	6:1	CSS 9-5-02		DAR 9/10/02
REV	CHANGE NOTICE	DRAWING NO	SHEET	
-	EN 02-335	1004915000	2 OF 2	