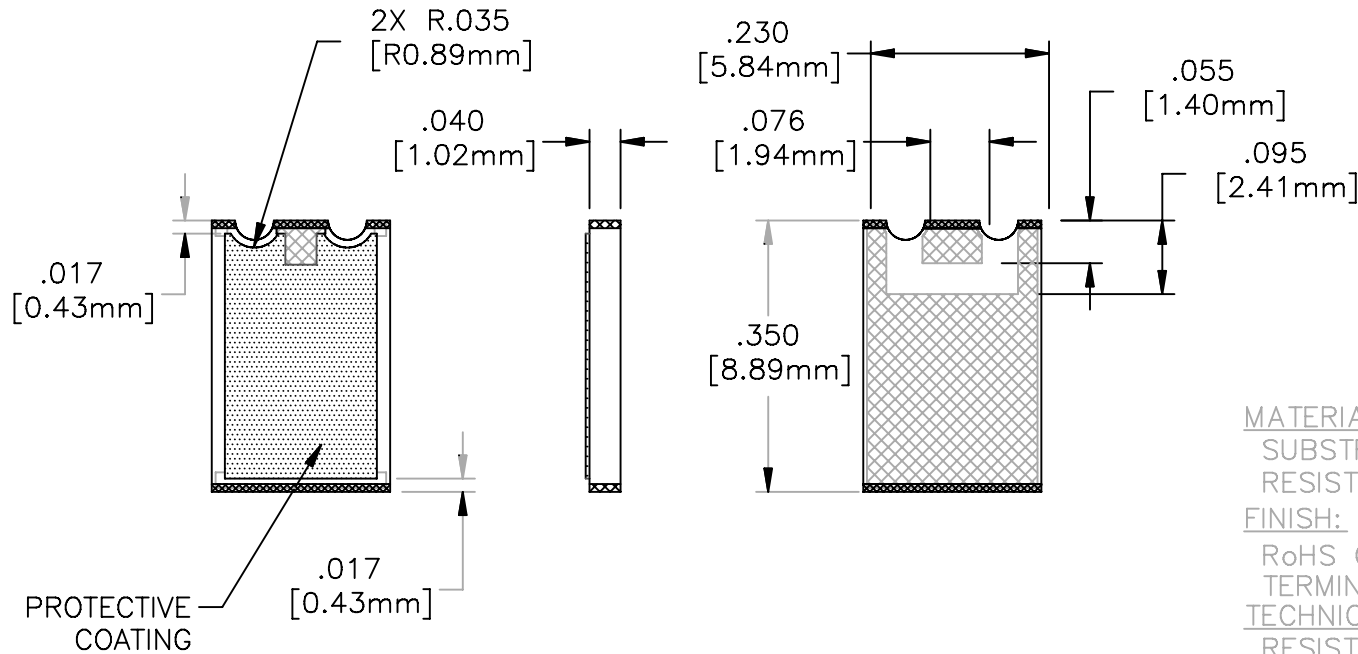


EDD

NOTES:
UNLESS OTHERWISE SPECIFIED, TOLERANCES ARE $\pm .010$ " [0.254mm].

DRAWING NO.:
82A3998

REV.
B



MATERIALS:


SUBSTRATE: BERYLLIUM OXIDE
RESISTIVE FILM: THIN FILM

FINISH:

RoHS COMPLIANT
TERMINALS: SILVER PLATED

TECHNICAL:

RESISTANCE: 50 OHMS \pm 5%
AVERAGE POWER: 40 WATTS
FREQUENCY: DC-2.0 GHz
VSWR (MAX): 1.25:1

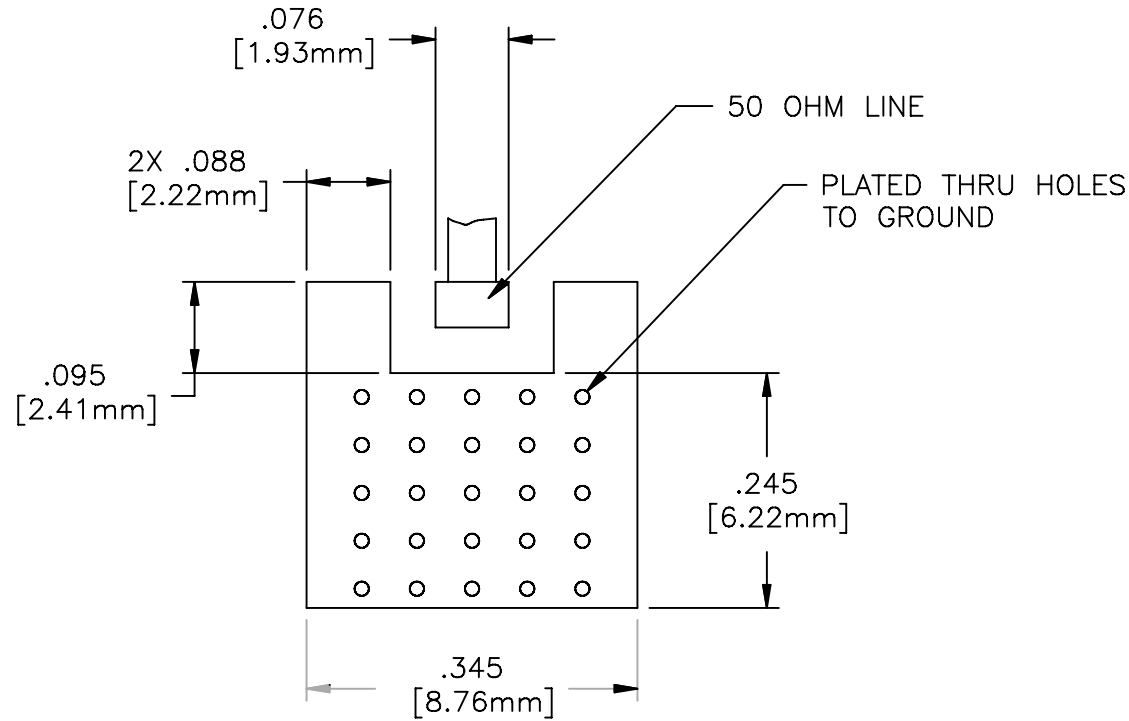
				EN# 05-F0515	APVD	DATE	REFERENCE	 8851 OLD KANSAS AVE. STUART, FL. 34997 561-286-9300
				UNLESS OTHERWISE SPECIFIED 1. DO NOT SCALE DRAWING 2. DIMENSIONS ARE IN INCHES 3. DIMENSIONS ARE AFTER PLATING 4. CORNERS, EDGES AND FILLETS: R MAX 5. SURFACE ROUGHNESS: 6. REMOVE ALL BURRS			CATALOG	
				TOLERANCES .X \pm .XX \pm .XXX \pm ANGLES X° \pm			MATERIAL	TITLE
				THE INFORMATION CONTAINED HEREIN IS: (A) CONSIDERED PROPRIETARY TO FLORIDA RF LABS INC.; (B) PROTECTED BY COPYRIGHT OWNED BY FLORIDA RF LABS INC.; (C) CONSIDERED A "WORK FOR HIRE" UNDER COPYRIGHT LAW; (D) PROTECTED BY TRADE SECRET LAWS WHICH MAKE ILLEGAL THE MISAPPROPRIATION OF THIS INFORMATION; AND (E) IS TO BE USED SOLELY FOR THE PURPOSE WHICH IT IS SUPPLIED. THIS INFORMATION SHALL NOT BE DISCLOSED IN WHOLE OR IN PART, TO ANY PARTY, FOR ANY REASON WITHOUT THE EXPRESS WRITTEN CONSENT OF A QUALIFIED EXECUTIVE OF FLORIDA RF LABS INC.			FINISH	CHIP, TERMINATION, 40 WATT
B	10-1455	JNK 01/07/11		SCALE	CAGE CODE ID NO.	SIZE	DRAWING NO.:	
A	EN 06-F0831	CRH 09/27/06		4/1	2Y194	A	82A3998	B
REV.	DESCRIPTION	DRAWN	APVD.	MFG:	CHKD.:	DRAWN: JG 8/4/05	SHEET 1 OF 2	

EDD

DRAWING NO.:

82A3998

REV.

B

THE INFORMATION CONTAINED HEREIN IS: (A) CONSIDERED PROPRIETARY TO FLORIDA RF LABS INC.; (B) PROTECTED BY COPYRIGHT OWNED BY FLORIDA RF LABS INC.; (C) CONSIDERED A "WORK FOR HIRE" UNDER COPYRIGHT LAW; (D) PROTECTED BY TRADE SECRET LAWS WHICH MAKE ILLEGAL THE MISAPPROPRIATION OF THIS INFORMATION; AND (E) IS TO BE USED SOLELY FOR THE PURPOSE WHICH IT IS SUPPLIED. THIS INFORMATION SHALL NOT BE DISCLOSED IN WHOLE OR IN PART, TO ANY PARTY, FOR ANY REASON WITHOUT THE EXPRESS WRITTEN CONSENT OF A QUALIFIED EXECUTIVE OF FLORIDA RF LABS INC.



8851 OLD KANSAS AVE.
STUART, FL. 34997
561-286-9300

SCALE	CAGE CODE ID NO.	SIZE	DRAWING NO.:	REV.
5/1	2Y194	A	82A3998	B
MFG: -	CHKD.: -	DRAWN: -	SHEET 2 OF 2	