

# ATTENUATOR

## COAXIAL DC- 12.4 GHz SMA



DATA SHEET

PART SERIES: 42XX

SHEET 1 OF 2  
Dwg 1008135

EN 14-1970  
Revision K

### FEATURES

- Superior Attenuation Accuracy
- Low VSWR
- Rugged Construction
- MIL-DTL-3933
- High Reliability

### APPLICATIONS

- Amplifier Stabilization
- Improve VSWR Between Stages
- Balance Channels
- Overload Protection
- Set Amplification Gain/Power
- Sample Output Power
- Military

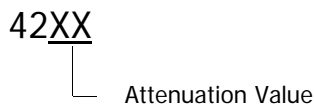


### GENERAL DESCRIPTION

Florida RF Labs Coaxial Attenuators offer superior attenuation accuracy, with extended broadband frequency operation. This series is manufactured with stainless steel body and rugged construction for the most demanding environments.

### ORDERING INFORMATION

#### Part Identifier:



### SPECIFICATIONS

#### 1.0 ELECTRICAL

- Nominal Impedance: 50 ohms
- Frequency Range: DC – 12.4 GHz
- Attenuation Values Available: 0 – 20 dB in 1 dB increments
- Attenuation Accuracy: See Table 1
- Input Power CW: 2 Watts @ 25°C heat sink, derated linearly to zero power at 125°C
- Peak Power: 20 Watts (based on 10us pulse width and 1% duty cycle)
- VSWR: See Table 1

TABLE 1 ATTENUATION ACCURACY (dB)			
dB VALUE	DC – 4 GHz	4 – 8 GHz	8 – 12.4 GHz
0	-0, +0.3	-0, +.5	-0, +.5
1 – 3	± 0.3	± 0.5	± 0.75
4 – 6	± 0.4	± 0.8	± 1.0
7 – 10	± 0.5	± 0.9	± 1.0
11 – 15	± 0.75	± 1.0	± 2.0
16 - 20	± 1.0	± 1.0	± 2.0
VSWR (MAX)			
dB VALUE	DC – 4 GHz	4 – 12.4 GHz	
0 - 20	1.2:1 Max	1.3:1 Max	

# ATTENUATOR

## COAXIAL DC- 12.4 GHz SMA



DATA SHEET

PART SERIES: 42XX

SHEET 1 OF 2  
Dwg 1008135

EN 14-1970  
Revision K

### 2.0 ENVIRONMENTAL

Operating Temperature: -55°C to +125°C  
 Non-operating Temperature: -65°C to +150°C  
 Temperature Coefficient: +/-200 PPM / °C max

### 3.0 MARKING

Unit Marking: Logo, dB Value and frequency, legibility and permanency per MIL-STD-130

### 4.0 QUALITY ASSURANCE

Sample Inspect Per MIL-STD-105, Level II, 1.0% AQL.

Visual and Mechanical Examination for Conformance to Outline Drawing

Measure Attenuation and VSWR

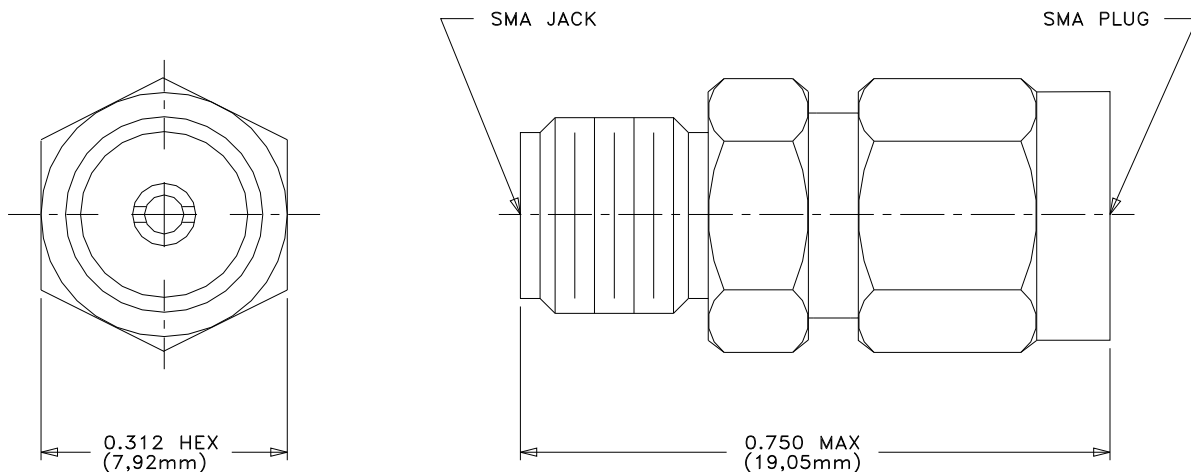
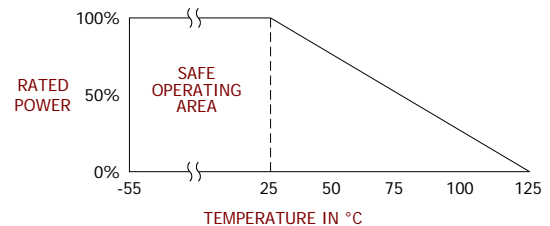
Data Retention – Standard

### 5.0 PACKAGING

Standard Packaging: Tube

### 6.0 MECHANICAL

Body and Nut Material: Stainless Steel  
 Body and Nut Finish: Passivated  
 Center Contact Material: Beryllium Copper  
 Center Contact Finish: Gold Plated  
 Dielectric: Teflon  
 Resistive Element: Thick Film  
 Torque: 8 in-lbs maximum  
 Metric Dimensions: Provided for reference only



Unless Otherwise Specified: TOLERANCE: X.XX = ± 0.01 X.XXX = ± 0.005