

ATTENUATOR TEMPERATURE VARIABLE

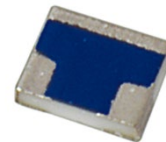
DATASHEETPART SERIES: MTVA0X00N0XW1S

Sheet 1 of 2

ECO-139515

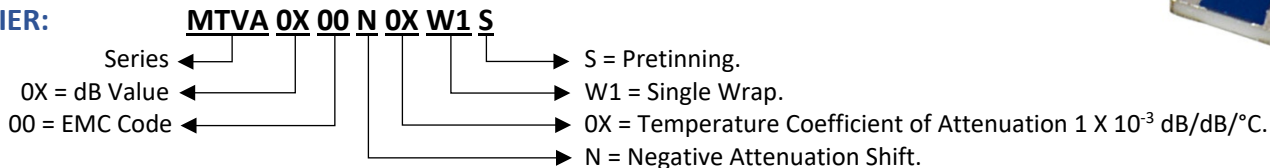
Doc# MTVA0X00N0XW1S-1010825

Revision D



ORDERING INFORMATION

PART IDENTIFIER:



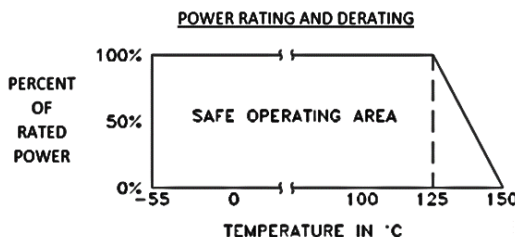
SPECIFICATIONS

1.0 ELECTRICAL

Nominal Impedance: 50 Ω.
 Frequency Range: DC-12.4 GHz.
 Attenuation Values Available: See Table Below.

DC – 12.4 GHz								
Temperature Coefficient of Attenuation (dB/dB/°C) "Shift"								
dB Value	-0.001	-0.002	-0.003	-0.004	-0.005	-0.006	-0.007	-0.009
1dB			X	X	X	X	X	X
2dB			X	X	X	X	X	X
3dB		X	X	X	X	X	X	X
4dB			X	X	X	X	X	X
5dB			X	X	X	X	X	X
6dB			X	X	X	X	X	X
7dB			X		X		X	X
8dB			X		X		X	X
9dB			X					X
10dB	X							

Attenuation Accuracy @25°C: ± 0.5 dB @ 1 GHz
 VSWR: 1.30:1 Max @ 1 GHz
 Input Power: 200 milliwatts CW Full Rated Power to 125°C, Derated Linearly to 0 Watts @ 150°C.



Temperature Coefficient of Attenuation: See Table Above.
 Temperature Coefficient Tolerance: ± 0.001 dB/dB/°C

2.0 ENVIRONMENTAL

Operating Temperature: -55°C to +150°C

3.0 MARKING

Unit Marking: None.

ATTENUATOR TEMPERATURE VARIABLE

DATASHEETPART SERIES: MTVA0X00N0XW1S

Sheet 2 of 2

ECO-139515

Doc# MTVA0X00N0XW1S-1010825

Revision D

4.0 QUALITY ASSURANCE

Sample Inspect Per ANSI/ASQC Z1.4 General Inspection, Level II, AQL=1.0.

Visual and Mechanical Examination for Conformance to Outline Drawing Requirements

Sample Inspection (Destructive Testing).

Select three (3) units from lot and measure DCA every 20°C over the temperature range of -55°C to +125°C; Calculate using linear regression, the slope of the curve.

Calculate TCA using the following formula:

$$TCA = \frac{Slope}{Attenuation @ 25^{\circ}C}$$

Inspection in accordance with 824W107.

Test Data Requirements:

No Data Required for Customer.

Data Retention – 24 Months.

5.0 PACKAGING

Standard:

Tape and Reel.

6.0 MECHANICAL

Substrate Material:

Alumina, 96% MIL-I-10.

Terminal Material:

Thick Film, Nickel Barrier, Solder Coated.

Workmanship:

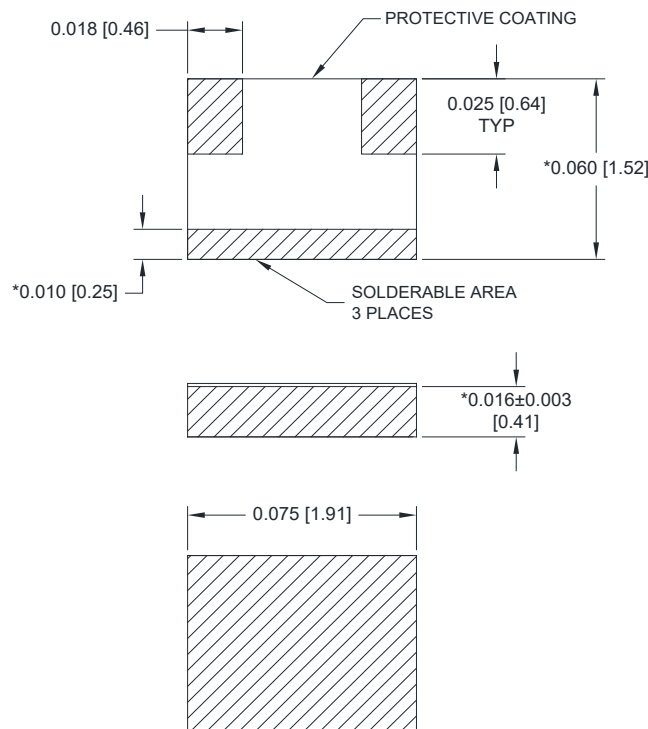
Per MIL-PRF-55342.

Resistive Element:

Thick Film.

Metric Dimensions:

Provided for reference only.



* DIMENSIONS APPLY BEFORE SOLDER. ALLOW 0.015 MAX FOR ALL PRETINNED SURFACES.

Unless Otherwise Specified:

TOLERANCE: X.XXX ± 0.005