

Part Number
 3DF4-1575/40-M

Specifications

Center Frequency:
 1575.0 MHz

3.0 dB Passband Bandwidth:
 40.0 MHz min.

Insertion Loss at Midband:
 2.65 dBa max.

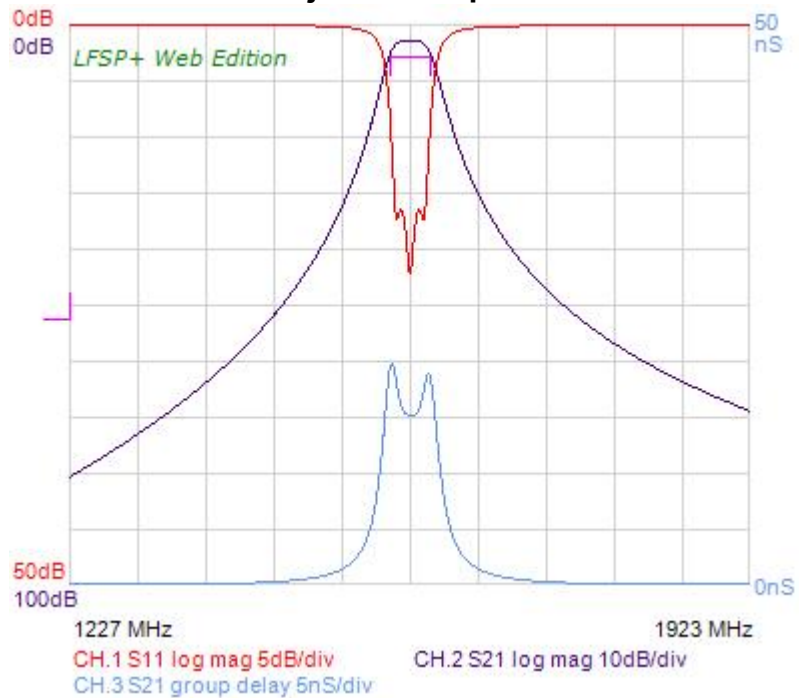
VSWR: 1.5:1 typ., 2.0:1 max.

Stopband Attenuation:
 50 dBc min. at 1227 MHz

Power Handling:
 1 Watt avg.

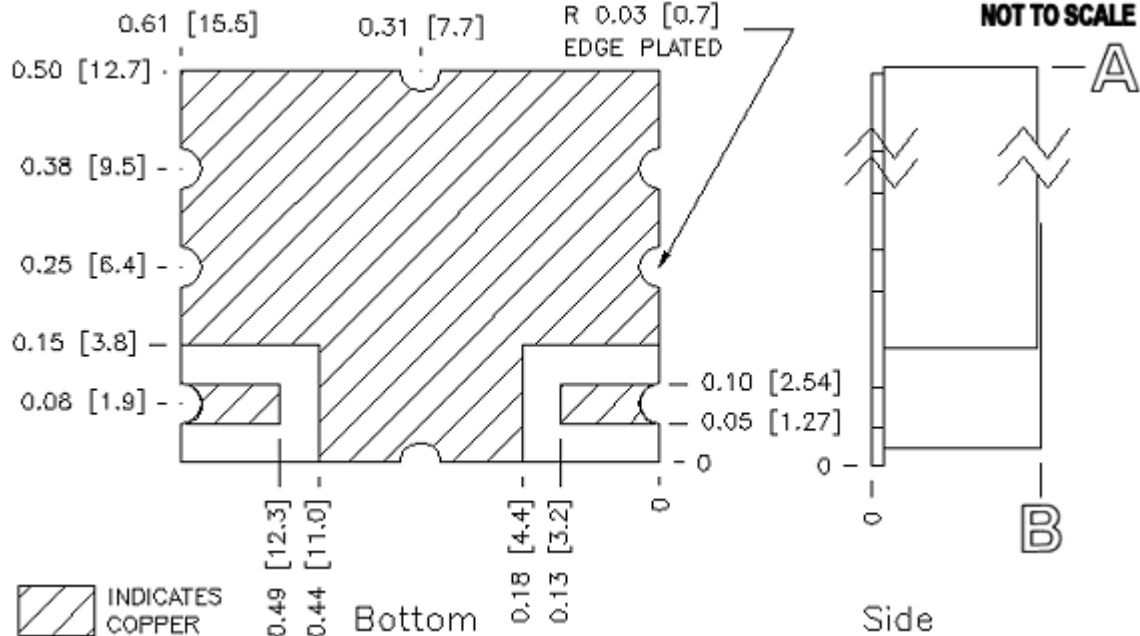
Temperature Range:
 -20 to 70 deg. C

Projected Response



Important: Performance of hardware may deviate from the response shown above. However, the filter will comply with the specifications shown on the specification sheet.

Projected Mechanics



INDICATES
 COPPER

A = 0.50" [12.70 mm]
 B = 0.20" [5.08 mm]

Dimensions: Inches [Millimeters]
 All dimensions are approximate.