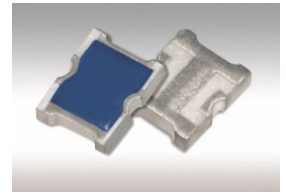
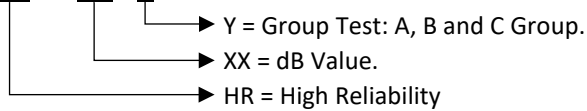


ORDERING INFORMATION

PART IDENTIFIER: HRTT9XX.0YSMTS



SPECIFICATIONS

1. ELECTRICAL:

Nominal Impedance:	50 Ω .
Frequency Range:	DC – 20 GHz.
Attenuation Values Available:	0 – 10 in 1 dB increments.
Attenuation Accuracy:	See Table

ATTENUATION ACCURACY @25°C		
dB	DC – 15 GHz	15-20 GHz
0 – 4	± 0.5	± 0.5
5 – 10	± 0.5	± 0.75

VSWR @ 25°C:	DC – 20 GHz - 1.40:1 Typical. DC – 20 GHz - 1.70:1 Max.
Input Power CW:	500 Milliwatts full rated power to 125°C, derated linearly to 0 watts at 150°C.

2. ENVIRONMENTAL:

Operating Temperature:	-55°C to +150°C.
------------------------	------------------

3. MARKING:

Unit Marking:	dB Value. Legibility and permanency per MIL-STD-130.
---------------	--

4. QUALITY ASSURANCE:

Verify 100% visual pre-cap inspection performed per 824W154 Inspection Procedure Chip Elements.

Perform Group A, B, and/or C testing as indicated by the part number per TP-9347.

Test Data Requirements:

Test Data required for customer: See TP-9347.

Data retention: 24 Months.

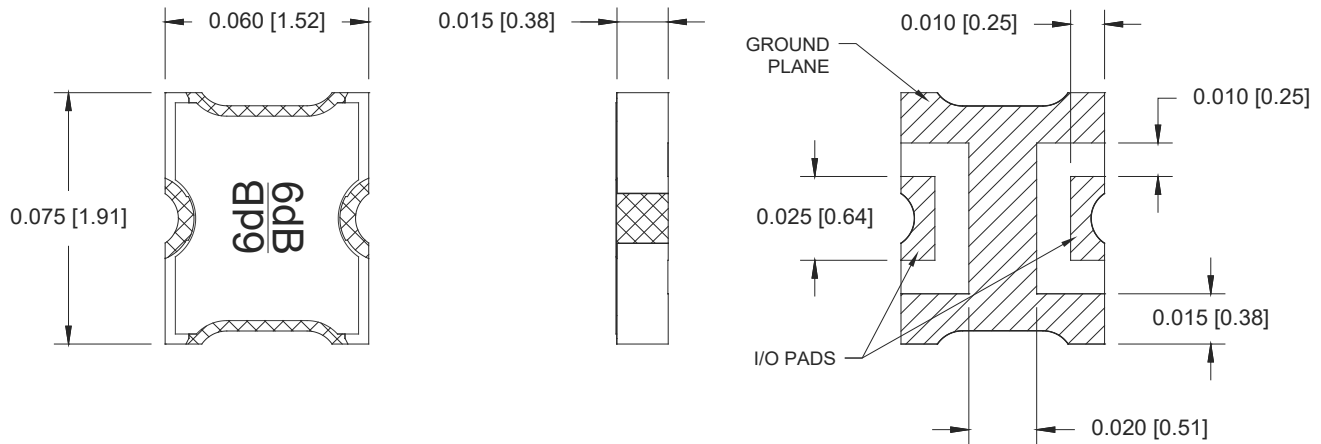
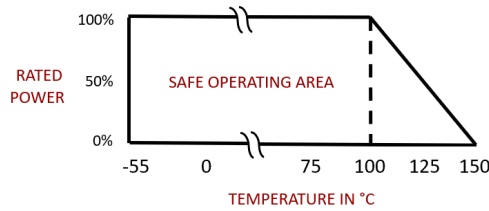
Test samples required for customer: See TP-9347.

5. PACKAGING:

Standard Packaging:	Waffle Pack.
Optional Packaging:	Tape & Reel.

6. MECHANICAL:

Substrate Material: Alumina.
 Resistive Film: Thick Film.
 Terminal Material: Thick Film, Nickel Barrier, Solder Plated.
 Metric Dimensions: Provided for reference only.
 Workmanship: PER MIL-PRF-55342.



Unless Otherwise Specified: TOLERANCE: X.XXX = ± 0.005.

7. SUGGESTED MOUNTING FOOTPRINT:

Part Number	Inches						mm					
	A	B	C	D	S	W	A	B	C	D	S	W
TT9XX.OSMT	0.019	0.011	0.012	0.041	0.012	0.070	0.48	0.28	0.30	1.04	0.30	1.78

