

TITLE: ENGINEERING CONTROL DRAWING.

PART IDENTIFIER: CT1835AF

DESCRIPTION: HIGH POWER CHIP TERMINATION, ALUMINA, LEAD FREE PLATING

ASSEMBLY DWG: 2900164

1.0 SPECIFICATIONS:

1.1 ELECTRICAL:

- 1.1.1 IMPEDANCE: 50Ω NOMINAL.
- 1.1.2 FREQUENCY: .8 – 2.0 GHZ.
- 1.1.3 VSWR: N/A.
- 1.1.4 AVERAGE POWER: 80 WATTS

1.2 MECHANICAL:

- 1.2.1 OUTLINE DWG: SEE SHEET 2.
- 1.2.2 WORKMANSHIP: PER MIL-STD-454, REQUIREMENT 9.

1.3 ENVIRONMENTAL:

- 1.3.1 TEMPERATURE RANGE:
 - 1.3.1.1 NON-OPERATING: -55°C TO +150°C.
 - 1.3.1.2 OPERATING: -55°C TO +150°C.

2.0 UNIT MARKING: NONE.

3.0 QUALITY ASSURANCE:

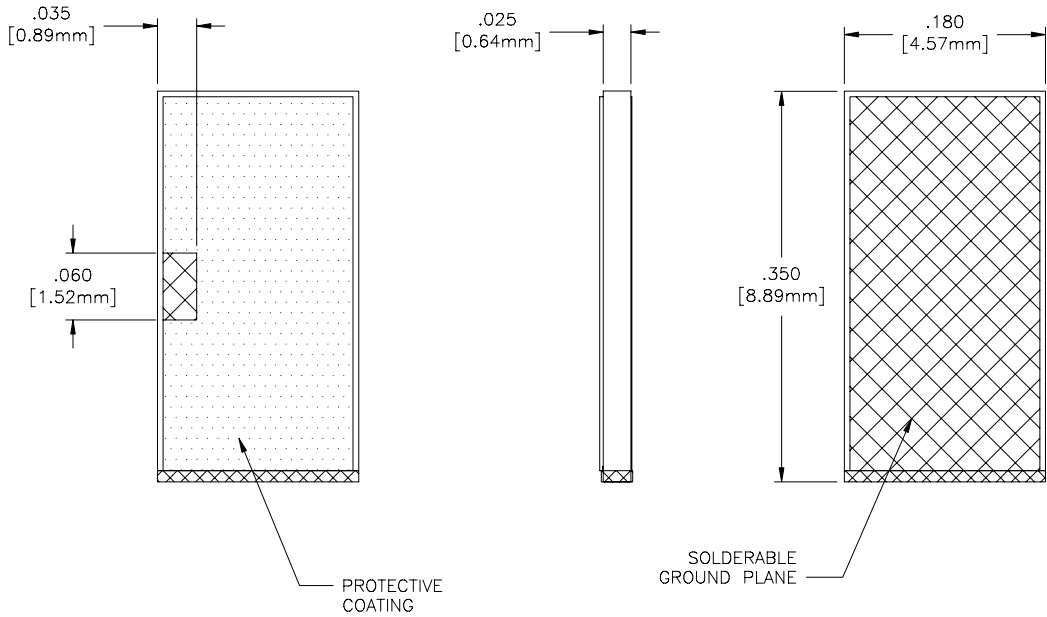
- 3.1 SAMPLE INSPECT PER ANSI/ASQC Z1.4 GENERAL INSPECTION, LEVEL II, AQL = 1.0.
 - 3.1.1 VISUAL AND MECHANICAL PER 824W154.
- 3.2 DC RESISTANCE: 50Ω ± 5%.
- 3.3 DATA REQUIREMENTS:
 - 3.3.1 NO TEST DATA REQUIRED FOR CUSTOMER.
 - 3.3.2 DATA RETENTION – 24 MONTHS.

4.0 PACKAGING: STANDARD PACK PER 755W002.

EMC TECHNOLOGY 8851 SW OLD KANSAS AVE. STUART, FL 34997	CAGE CODE # 24602		DWG #	1010745000
	CHANGE NOTICE	EN 08-E0712	REV LVL	A
			SHEET	1 <u>OF</u> 2

PART ID REF

CT1835AF



MECHANICAL SPECIFICATIONS:

SUBSTRATE:
 MATERIAL - ALUMINA MIL-I-10.
 TERMINALS AND GROUND PLANE:
 MATERIAL - THICK FILM, LEAD FREE

RESISTIVE ELEMENT:
 MATERIAL - THIN FILM.

METRIC EQUIVALENTS GIVEN IN [mm]
 ARE FOR REFERENCE INFORMATION ONLY

EMC
 Technology
 8851 SW OLD KANSAS AVE
 STUART, FL 34997
 PHONE NO. (772)286-9300
 FAX NO. (772)283-5286

UNLESS OTHERWISE SPECIFIED DIMENSIONS ARE IN INCHES
TOLERANCES
 FRACT ---
 ANG ---
 XX ---
 XXX ±0.010
 XXXX ---

THESE DRAWINGS AND SPECIFICATIONS ARE THE PROPERTY OF EMC TECHNOLOGY INC AND SHALL NOT BE DUPLICATED OR USED AS BASIS FOR THE MANUFACTURE OR SALE OF PARTS OR DEVICES WITHOUT PERMISSION.

CAGE CODE	SCALE	DRAWN BY	CHECKED BY	APPROVED BY
24602	1:1	JG 8/8/08		
REV	CHANGE NOTICE	DRAWING NO	SHEET	
A	EN 08-E0712	1010745000	2 OF 2	