

TITLE: SPECIFICATION CONTROL DRAWING

PART IDENTIFIER: 8411

DESCRIPTION: 50 OHM FLANGE LOAD

ASSEMBLY DWG: 2100964

1.0 SPECIFICATIONS:

1.1 ELECTRICAL:

- 1.1.1 IMPEDANCE: 50 OHMS NOMINAL.
- 1.1.2 FREQUENCY RANGE: DC – 12 GHZ.
- 1.1.3 INPUT POWER (MAX @ 60°C): (DERATED LINEARLY TO ZERO POWER @ 150°C)
 - 1.1.3.1 AVERAGE: 1 WATT.
 - 1.1.3.2 PEAK: 100 WATTS FOR 100 US PULSE WIDTH @ 0.1% DUTY CYCLE.
- 1.1.4 VSWR: DC TO 4.0 GHZ - 1.10 MAX.
4.0 TO 8.0 GHZ - 1.15 MAX.
8.0 TO 12.0 GHZ - 1.20 MAX.

1.2 MECHANICAL:

- 1.2.1 OUTLINE DWG: SEE SHEET 2.

1.3 ENVIRONMENTAL:

- 1.3.1 TEMPERATURE RANGE:
 - 1.3.1.1 NON-OPERATING: -55°C TO +150°C.
 - 1.3.1.2 OPERATING: -55°C TO +150°C.
- 1.3.2 VIBRATION: PER MIL-STD-202, METHOD 201 AND MIL-D-39030.
- 1.3.3 SHOCK: PER MIL-STD-202, METHOD 213, COND. I.
- 1.3.4 MOISTURE: PER MIL-STD-202, METHOD 106 AND MIL-D-39030 EXCEPT LOADING VOLTAGE IS NOT APPLICABLE.

2.0 UNIT MARKING: NONE.

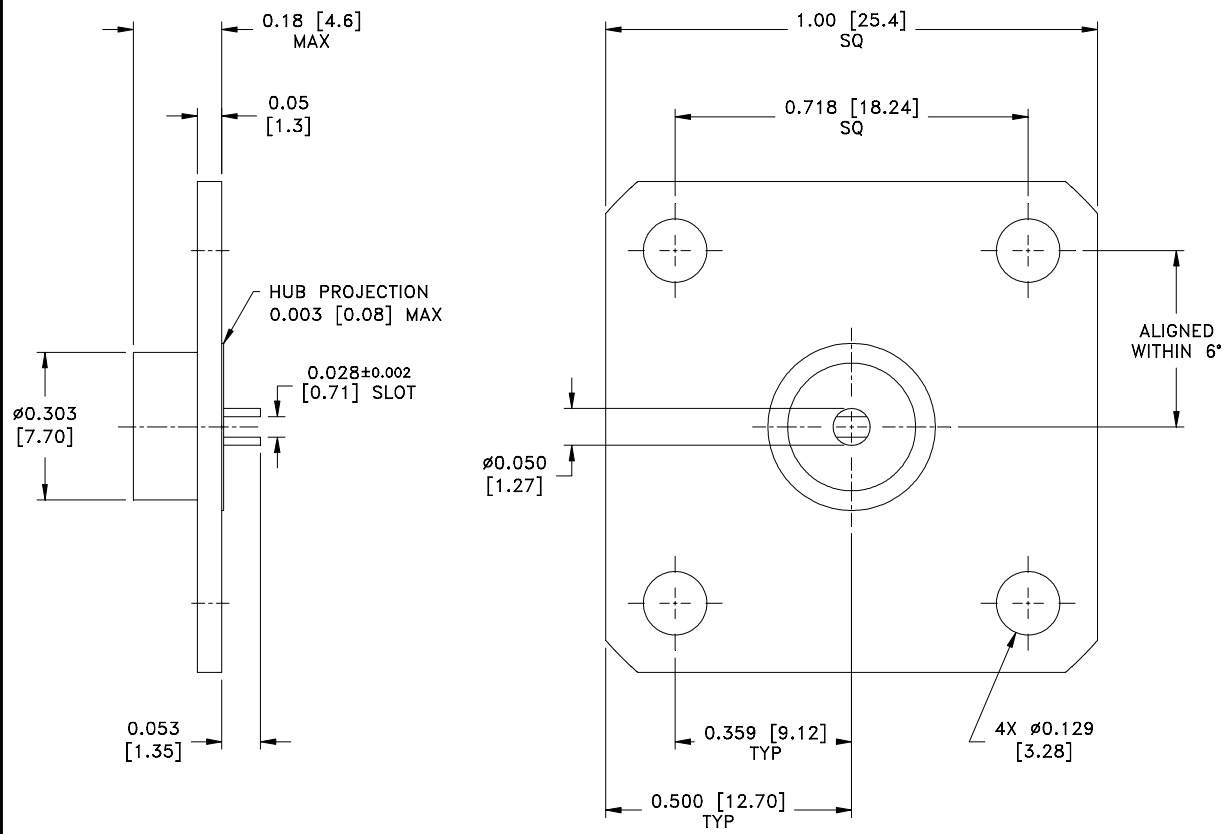
3.0 QUALITY ASSURANCE:

- 3.1 PERFORM INSPECTION IN ACCORDANCE WITH QA0006 AND FORM0357 FOR COMMERCIAL GRADE PRODUCT.
- 3.2 TEST DATA REQUIREMENTS:
 - 3.2.1 NO TEST DATA REQUIRED FOR CUSTOMER.
 - 3.2.2 DATA RETENTION – 24 MONTHS.

4.0 PACKAGING: STANDARD TRAY PACK PER MC0023.

| | | | | | | | | | |
|-------------------------------|--|--------------------------|-----------|------------|--|----------------|------------|-----------|--|
| ENG | | PUR | | MFG | | PLAN | | SM | |
| CC | | | | QA | | | | | |
| EMC TECHNOLOGY, INC | | CAGE CODE # 24602 | | | | DWG # | 1008475000 | | |
| 1971 OLD CUTHBERT ROAD | | CHANGE NOTICE | EN 01-305 | | | REV LVL | C | | |
| CHERRY HILL, NJ 08034 | | | | | | SHEET | 1 OF 2 | | |

| |
|-------------|
| PART ID REF |
| 8411 |



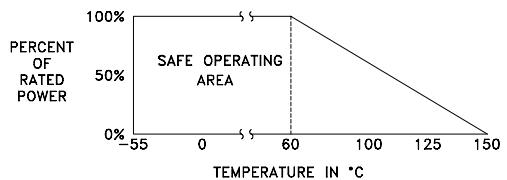
MECHANICAL SPECIFICATIONS:

- FLANGE FACE CASE:
 - MATERIAL - ALUMINUM ALLOY, QQ-A-250.
 - FINISH - CHROMATE, MIL-C-5541.
- FLANGE HUB:
 - MATERIAL - ALUMINUM ALLOY, QQ-A-225.
 - FINISH - CHROMATE, MIL-C-5541.
- PIN:
 - MATERIAL - BERYLLIUM COPPER, ASTM B197.
 - FINISH - GOLD, MIL-G-45204, TYPE II, CLASS 1.
- DIELECTRIC:
 - MATERIAL - TEFLON, ASTM D1710.
- CERAMIC:
 - MATERIAL - ALUMINA, MIL-I-10.

METRIC EQUIVALENTS GIVEN IN [mm]
FOR REFERENCE INFORMATION ONLY



POWER RATING AND DERATING



EMC TECHNOLOGY INC
1971 OLD CUTHBERT RD
CHERRY HILL NJ 08034
PHONE NO. (856) 428-7800
FAX NO. (856) 428-1807

UNLESS OTHERWISE SPECIFIED DIMENSIONS ARE IN INCHES TOLERANCES
FRACT ---
ANG ---
XX ±0.01
XXX ±0.005
XXXX ---

| | | | | | |
|---|---------------|----------------|------------|-------------|--|
| THESE DRAWINGS AND SPECIFICATIONS ARE THE PROPERTY OF EMC TECHNOLOGY INC AND SHALL NOT BE DUPLICATED OR USED AS BASIS FOR THE MANUFACTURE OR SALE OF PARTS OR DEVICES WITHOUT PERMISSION. | | | | | |
| CAGE CODE | SCALE | DRAWN BY | CHECKED BY | APPROVED BY | |
| 24602 | 1:1 | CME 08/15/2001 | | DAR 8/21/01 | |
| REV | CHANGE NOTICE | DRAWING NO | SHEET | | |
| C | EN 01-305 | 1008475000 | 2 OF 2 | | |