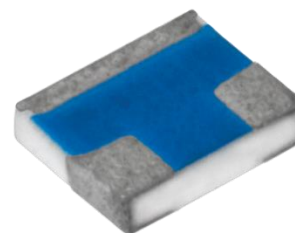


ORDERING INFORMATION

PART IDENTIFIER: TS05XXW3

→ (XX) – dB Value



SPECIFICATIONS

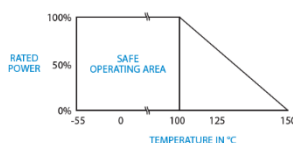
1. ELECTRICAL:

Nominal Impedance: 50 Ω
 Frequency Range: DC – 12.4 GHz
 Attenuation Values Available: 0 – 20 in 1 dB increments
 Attenuation Accuracy:

ATTENUATION ACCURACY			
dB	DC – 4 GHz	4 – 8 GHz	8 – 12.4 GHz
0	-0, +.3	-0, +.5	-0, +.5
1 – 3	±0.3	±0.5	±0.5
4 – 6	±0.4	±0.5	±0.5
7 – 10	±0.5	±0.5	±0.75
11 – 15	±0.75	+0.5, -3.0	+0.5, -3.5
16 - 20	±1.0	+0.5, -4.0	+1.0, -6.0

Power Rating	POWER RATING							
	dB Values	Watts	dB Values	Watts	dB Values	Watts	dB Values	Watts
Continuous Power	0-1	5	2-3	2	4-10	1	11-20	0.75
		25		10		5		3.75
Peak Power Based on 10 μs pulse width @ 1% Duty Cycle	VSWR							
	DC-4 GHz		4-8 GHz		8-12.4 GHz			
VSWR	1.25:1 Max		1.35:1 Max		1.50:1 Max			

Power Derating Curve



2. ENVIRONMENTAL:

Operating Temperature: -55°C to +150°C
 Non-operating Temperature: -65°C to +150°C
 Temperature Coefficient: ± 200 PPM/°C max
 Altitude Non-Operating: Sea level to 50,000 feet.
 Altitude Operating: Sea level to 50,000 feet.
 Vibration: Per MIL-STD-202, METHOD 204, COND. D.
 Shock: Per MIL-STD-202, METHOD 213, COND. I.
 Moisture resistance: Per MIL-STD-202, METHOD 106 except subcycle steps 7a and 7b and polarization and load are not applicable.

3. MARKING:

Unit Marking: Marked with dB Value. Legibility and permanency PER MIL-STD-130.

4. QUALITY ASSURANCE:

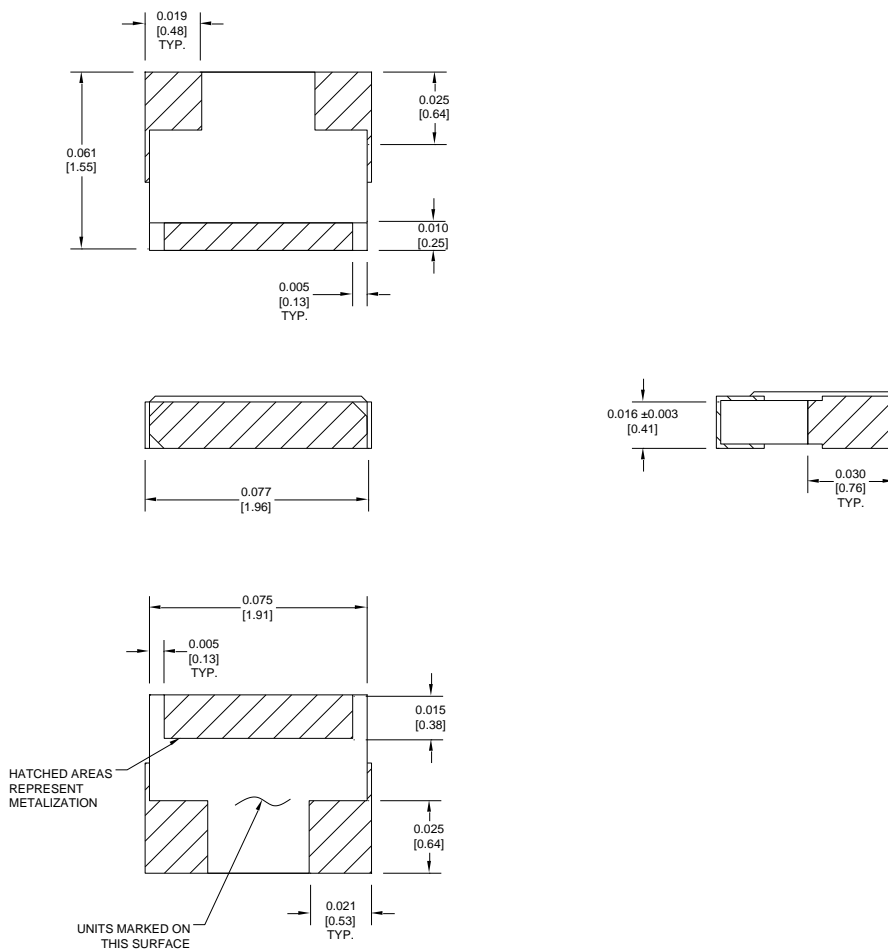
Sample inspect per ANSI/ASQC Z1.4 general inspection, level II, AQL = 1.0.
 Visual and mechanical examination for conformance to outline dwg requirements.
 Inspect per 824W154 Workmanship Standard.
 Test data requirements:
 No test data required for customer.
 Data retention – 24 months.

5. PACKAGING:

Standard Packaging: Tape and Reel.

6. MECHANICAL:

Resistive Film: Thin Film, Tantalum Nitride.
 Terminal Material: Thick Film, Nickel Barrier, Solder Coated.
 Metric Dimensions: Provided for reference only.
 Workmanship: PER MIL-PRF-55342.



Unless Otherwise Specified: TOLERANCE: X.XXX = ± 0.005

7. SUGGESTED MOUNTING FOOTPRINT

Part Number	Inches						mm					
	A	B	C	D	S	W	A	B	C	D	S	W
TS05xxW3 / MTVA-W3	0.022	0.028	0.041	0.013	0.026	0.075	0.56	0.71	1.04	0.33	0.66	1.91

