

ATTENUATOR TEMPERATURE VARIABLE

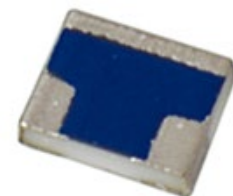
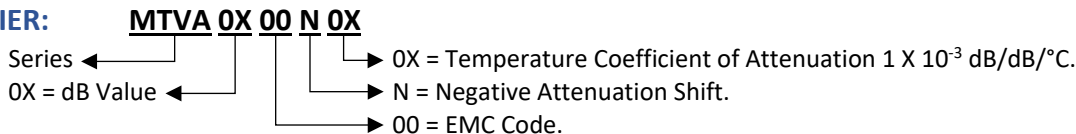
DATASHEET PART SERIES: MTVA0X00N0X

Sheet 1 of 3
Doc# MTVA0X00N0X-1007725

ECO-139515
Revision AL

ORDERING INFORMATION

PART IDENTIFIER:



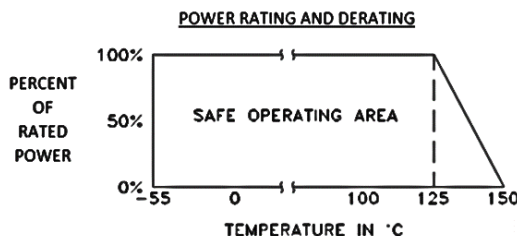
SPECIFICATIONS

1.0 ELECTRICAL

Nominal Impedance: 50 Ω
 Frequency Range: -.001 thru -.005 DC – 18 GHz
 -.006 thru -.009 DC – 12.4 GHz
 Attenuation Values Available: See Table Below.

dB Value	DC – 18 GHz				DC – 12.4 GHz		
	Temperature Coefficient of Attenuation (dB/dB/°C) "Shift"				Temperature Coefficient of Attenuation (dB/dB/°C) "Shift"		
	-0.001	-0.003	-0.004	-0.005	-0.006	-0.007	-0.009
1dB	X	X	X	X	X	X	X
2dB	X	X	X	X	X	X	X
3dB	X	X	X	X	X	X	X
4dB	X	X	X	X	X	X	X
5dB	X	X	X	X	X	X	X
6dB	X	X	X	X	X	X	X
7dB	X	X		X	X	X	X
8dB	X	X		X		X	X
9dB	X	X					X
10dB	X						

Attenuation Accuracy @ 25°C: ± 0.5 dB @ 1 GHz
 VSWR: 1.30:1 Max @ 1 GHz
 Input Power: 200 milliwatts cw.
 Full Rated Power to 125°C, Derated Linearly to 0 watts @ 150°C.



Temperature Coefficient of Attenuation: See Table Above.
 Temperature Coefficient Tolerance: ± 0.001 dB/dB/°C

2.0 ENVIRONMENTAL

Operating Temperature: -55°C to +150°C

3.0 MARKING

Unit Marking: dB Value (X), Direction of Shift (N) and TCA Shift (X).

ATTENUATOR TEMPERATURE VARIABLE

DATASHEET PART SERIES: MTVA0X00N0X

Sheet 2 of 3

ECO-139515

Doc# MTVA0X00N0X-1007725

Revision AL

4.0 QUALITY ASSURANCE

Sample Inspect Per ANSI/ASQC Z1.4 General Inspection, Level II, AQL=1.0.
 Visual and Mechanical Examination for Conformance to Outline Drawing Requirements
 Sample Inspection (Destructive Testing).

Select three (3) units from lot and measure DCA every 20°C over the temperature range of
 -55°C to +125°C; Calculate using linear regression, the slope of the curve.

Calculate TCA using the following formula:

$$TCA = \frac{Slope}{Attenuation @ 25^{\circ}C}$$

Inspection in accordance with 824W107

Test Data Requirements:

No Data Required for Customer

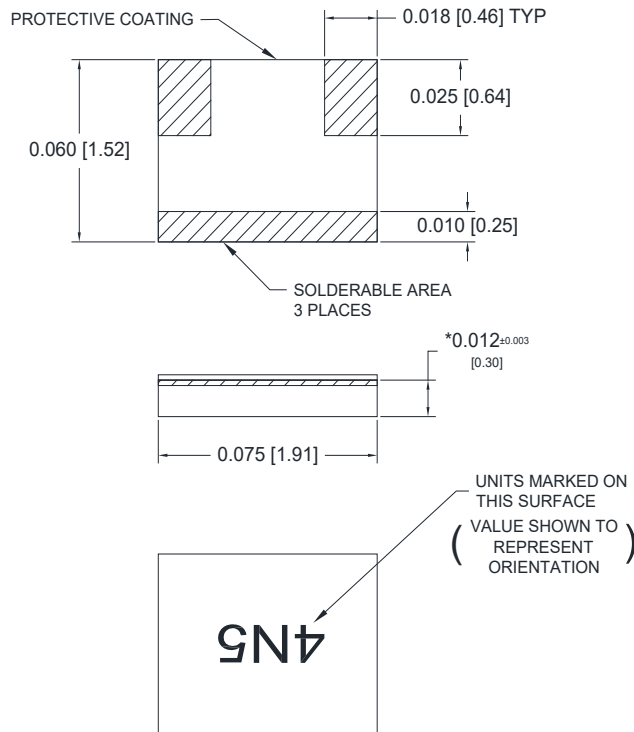
Data Retention – 24 Months

5.0 PACKAGING

Standard: Tape & Reel

6.0 MECHANICAL

Substrate Material: Alumina, 96% MIL-I-10.
 Terminal Material: Thick Film, Nickel Barrier, Solder Plated.
 Workmanship: Per MIL-PRF-55342.
 Resistive Element: Thick Film.
 Metric Dimensions: Provided for reference only.



* DIMENSIONS APPLY BEFORE SOLDER. ALLOW 0.015 MAX FOR ALL PRETINNED SURFACES.

Unless Otherwise Specified: TOLERANCE: X.XXX = ± 0.005

ATTENUATOR TEMPERATURE VARIABLE

DATASHEET PART SERIES: MTVA0X00N0X

Sheet 3 of 3

ECO-139515

Doc# MTVA0X00N0X-1007725

Revision AL

7.0 FOOTPRINT

Part Number	Inches						mm					
	A	B	C	D	S	W	A	B	C	D	S	W
MTVA0X00N0X	0.022	0.028	0.041	0.013	0.026	0.075	0.56	0.71	1.04	0.33	0.66	1.91

