

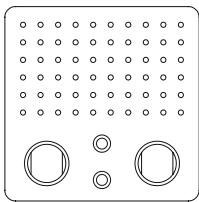
ARINC 600



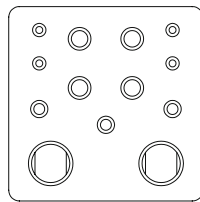
Smiths Interconnect's ARINC 600 connector series is designed for interconnect systems including 100 Base-T, Ethernet, and high speed video Hot-Link. These connectors can be fitted with Ethernet based Quad 100 Ohm contacts or differential pair 100 Ohm or 150 Ohm matched impedance contacts.

The ARINC 600 Series can also be routed with ruggedized expanded beam fiber optic contacts or concentric triaxial contacts designed for numerous low-loss twinaxial and concentric triax cables in a variety of impedance values.

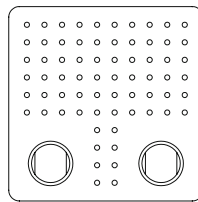
ARINC 600 Front Release/Front Removable Insert Layouts



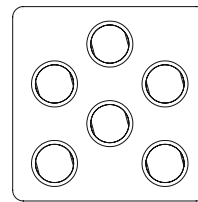
II - 62Q2
60 SIZE 22
2 SIZE 16
2 SIZE 8



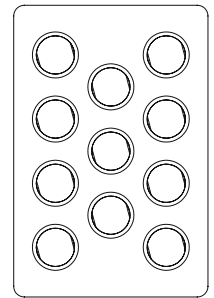
II - 11Q2
4 SIZE 20
3 SIZE 16
4 SIZE 12
2 SIZE 8



II - 68Q2
68 SIZE 22
2 SIZE 8

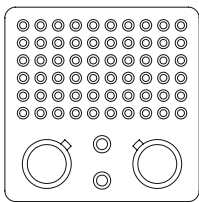


II - Q6
6 SIZE 8
METALLIC INSERT

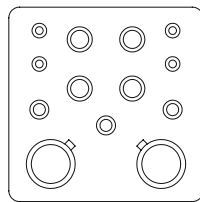


I - Q11
11 SIZE 8
METALLIC INSERT

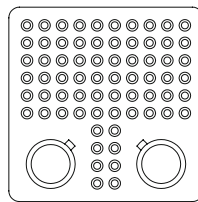
ARINC 600 Rear Release/Rear Removable Insert Layouts



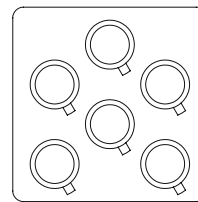
II - 62Q2
60 SIZE 22
2 SIZE 16
2 SIZE 8



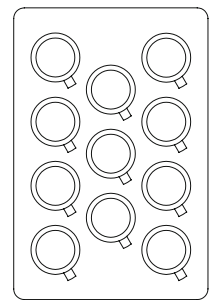
II - 11Q2
4 SIZE 20
3 SIZE 16
4 SIZE 12
2 SIZE 8



II - 68Q2
68 SIZE 22
2 SIZE 8



II - Q6
6 SIZE 8
METALLIC INSERT

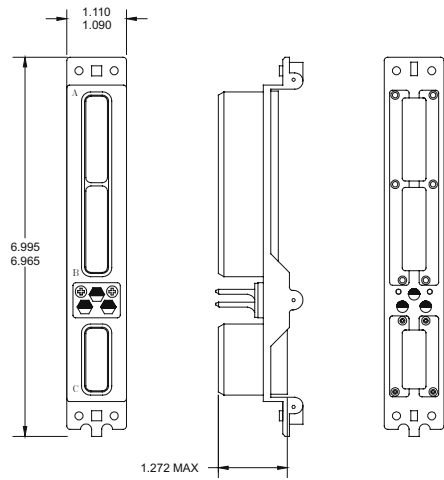


I - Q11
11 SIZE 8
METALLIC INSERT

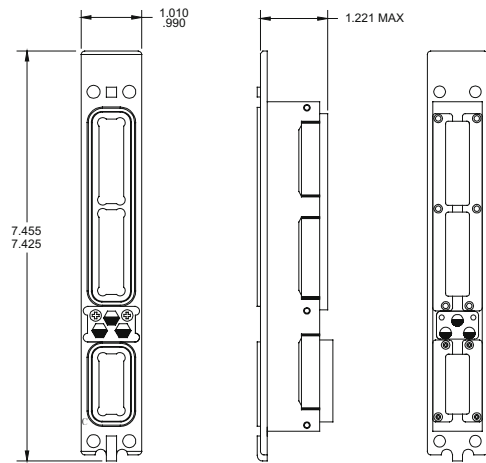
Note: Removable Size 8 Twinax and Quadrax Contacts use removal tool M81969/14-06

Smiths Interconnect provides specialty, enhanced performance connectors and cable assemblies and does not currently offer circular, rack and panel, or D-subminiature connectors that are listed on military standard Qualified Products Lists (QPL) per applicable detail specification sheets. Smiths Interconnect connectors are fully interchangeable with applicable QPL products and meet the applicable requirements of all military standards listed in this catalog.

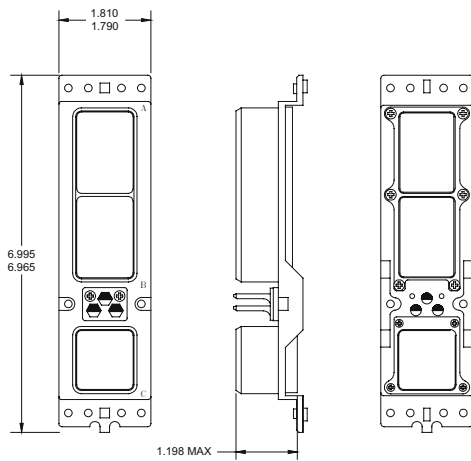
ARINC 600 Shell Size 1 Plug



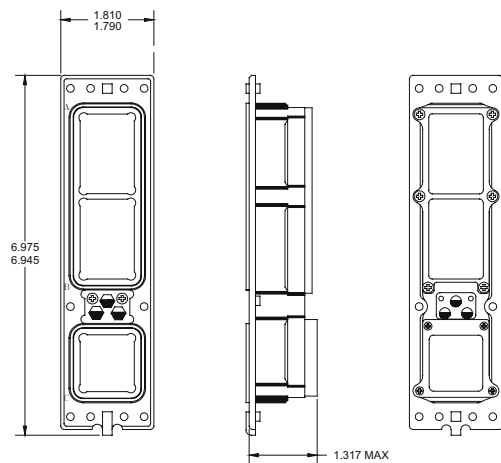
ARINC 600 Shell Size 1 Receptacle



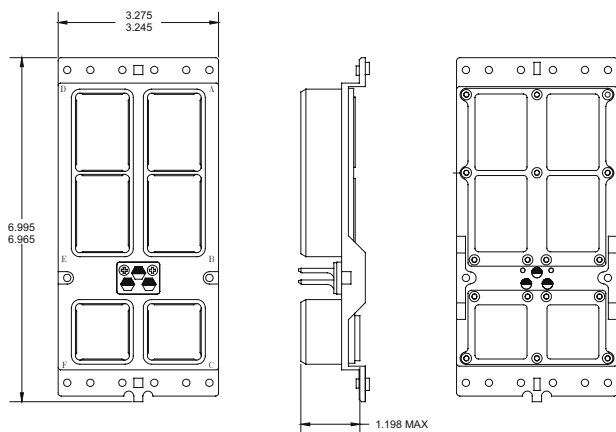
ARINC 600 Shell Size 2 Plug



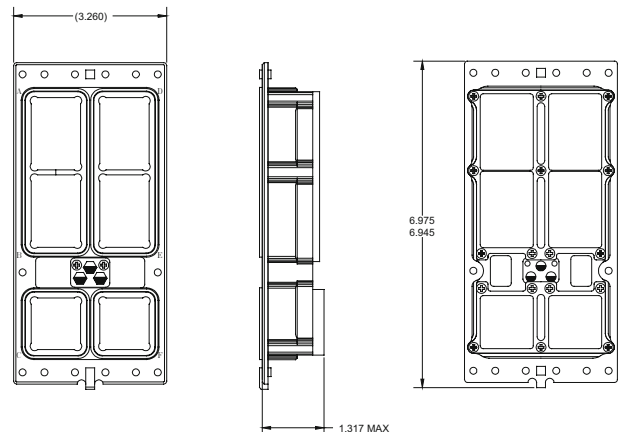
ARINC 600 Shell Size 2 Receptacle



ARINC 600 Shell Size 3 Plug



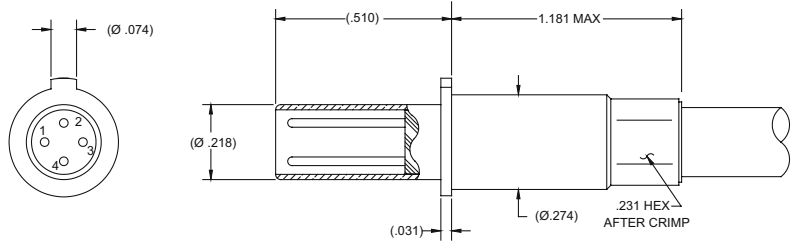
ARINC 600 Shell Size 3 Receptacle



Size 8 Pin Quadrax Contact 100 Ohm

Part Number	Cable Type	Cable
019635-2031	Differential Quad	540-1183-000

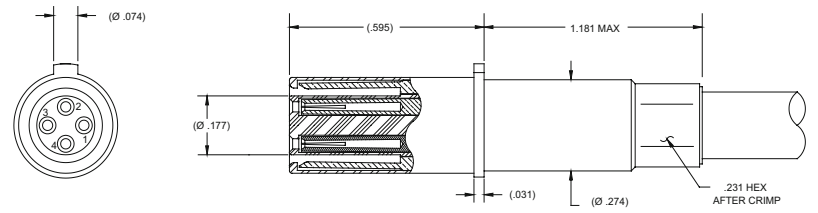
Rear Release/Rear Removable



Size 8 Socket Quadrax Contact 100 Ohm

Part Number	Cable Type	Cable
019535-2031	Differential Quad	540-1183-000

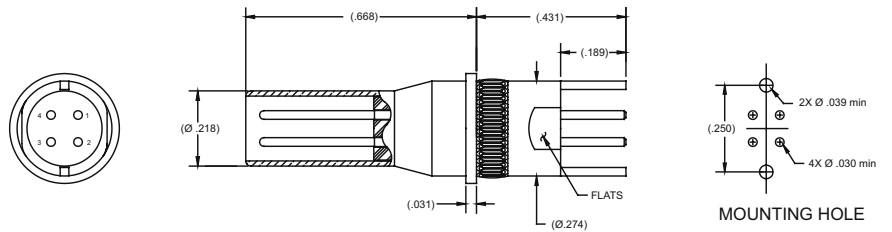
Rear Release/Rear Removable



Size 8 Pin Quadrax Contact PCB Mount 100 Ohm

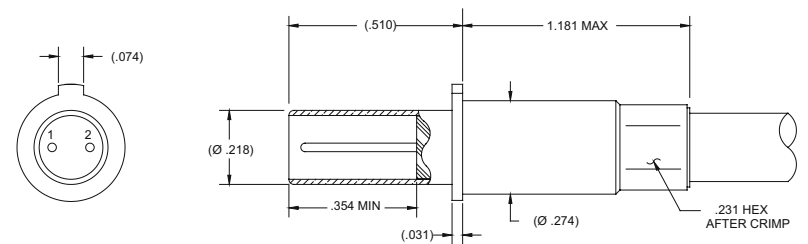
Part Number
019617-2107

Rear Release/Rear Removable



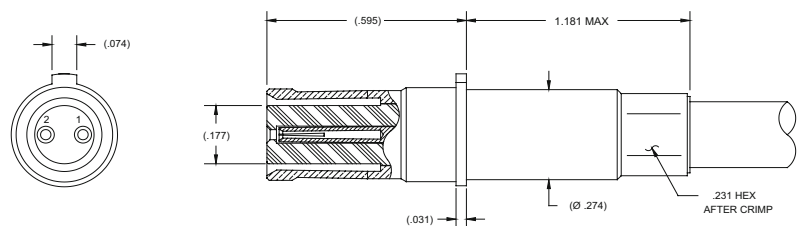
Size 8 Twinax Pin Contact 100 Ohm

Part Number	Cable Type	Cable
019634-8025	Differential Twinax	540-1167-000
019634-8026	Flexible Twinax	540-1161-000
019634-8027	Differential Twinax	540-1086-000



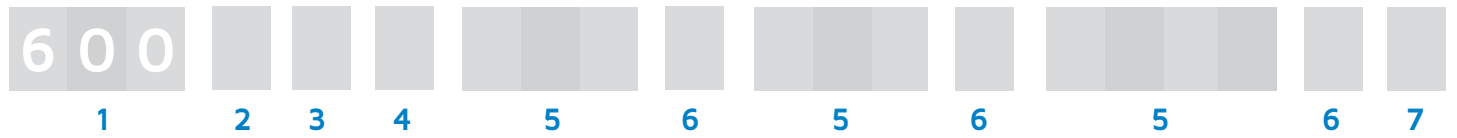
Size 8 Twinax Socket Contact 100 Ohm

Part Number	Cable Type	Cable
019534-8025	Differential Twinax	540-1167-000
019534-8026	Flexible Twinax	540-1161-000
019534-8027	Differential Twinax	540-1086-000



ARINC 600

How to Order



1 Prefix	
2 Shell Size	1 , 2 , 3
3 Shell Style	P Plug R Receptacle
4 Plating	C Cadmium (Yellow Chromate) N Electroless Nickel
5 Insert Arrangements	Cavity A , B , C , D , E , F
6 Contact Type	P Pin (Front Release/Rear Removable PC Tail Version) S Socket (Rear Release/Rear Removable Cable Mount)
7 Contact Termination	S Solder Cup P PC Tail C Crimp