

ATTENUATOR HIGH RELIABILITY CHIP 200 MILLIWATTS

DATASHEET PART SERIES: HRMXXXXXXXXS

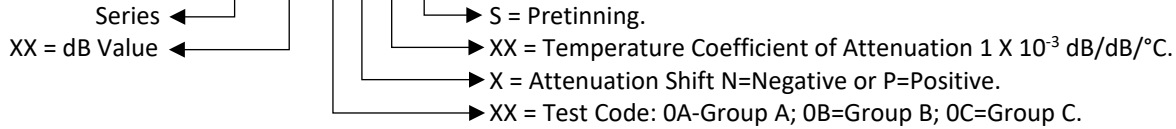
Sheet 1 of 3
Doc# HRMXXXXXXXXS-1009795

ECO-139515
Revision D

ORDERING INFORMATION

PART IDENTIFIER:

HRM XX XXX XX S



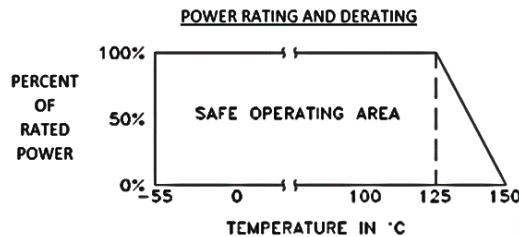
SPECIFICATIONS

1.0 ELECTRICAL

Nominal Impedance: 50 Ω.
 Frequency Range: DC – 18 GHz.
 -0.001 dB/dB/°C, and -0.003 dB/dB/°C Thru -0.005 dB/dB/°C DC – 18 GHz.
 -0.006 dB/dB/°C Thru -0.009 dB/dB/°C DC – 12.4 GHz.
 Attenuation Values Available: See Table Below.

dB Value	DC – 18 GHz				DC – 12.4 GHz		
	Temperature Coefficient of Attenuation (dB/dB/°C) "Shift"				Temperature Coefficient of Attenuation (dB/dB/°C) "Shift"		
	-0.001	-0.003	-0.004	-0.005	-0.006	-0.007	-0.009
1dB	X	X	X	X	X	X	X
2dB	X	X	X	X	X	X	X
3dB	X	X	X	X	X	X	X
4dB	X	X	X	X	X	X	X
5dB	X	X	X	X	X	X	X
6dB	X	X	X	X	X	X	X
7dB	X	X		X	X	X	X
8dB	X	X		X		X	X
9dB	X	X					X
10dB	X						

Attenuation Accuracy @ 25°C: ± 0.5 dB @ 1 GHz.
 VSWR: 1.30:1 Max @ 1 GHz.
 Input Power: 200 Milliwatts Full Rated Power To 125°C, Derated Linearly to 0 Watts at 150°C.



Temperature Coefficient of Attenuation: See Table Above.
 Temperature Coefficient Tolerance: ± 0.001 dB/dB/°C.

2.0 ENVIRONMENTAL

Operating Temperature: -55°C to +150°C
 Temperature Coefficient: See Frequency Range Above: ±0.001 dB/dB/°C.

3.0 MARKING

Unit Marking: dB Value (X), Direction of Shift (N) and TCA Shift (X).

4.0 QUALITY ASSURANCE

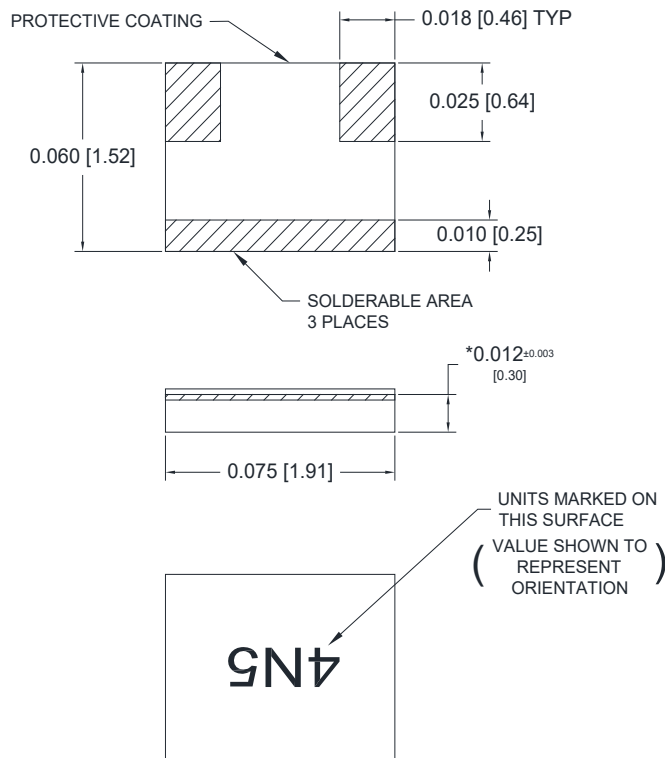
- Verify 100% Visual Pre-Cap Inspection Performed Per TP-8965.
- Perform Group A, B and/or C testing as indicated by the part number per TP-8965.
- Test Data requirements:
 - Test data required for customer see TP-8965.
 - Data retention – 24 months.
 - Test samples required for customer see TP-8965.

5.0 PACKAGING

Standard Packaging: Serialized Waffle Pack.

6.0 MECHANICAL

- Substrate Material: Alumina 96%.
- Resistive Film: Thick Film.
- Terminal Material: Thick Film, Nickel Barrier, Solder Coated.
- Metric Dimensions: Provided for reference only.
- Workmanship: Per MIL-STD-130.



* DIMENSIONS APPLY BEFORE SOLDER. ALLOW 0.015 MAX FOR ALL PRETINNED SURFACES.

Unless Otherwise Specified: TOLERANCE: X.XXX = ± 0.005.

ATTENUATOR HIGH RELIABILITY CHIP 200 MILLIWATTS

DATASHEET PART SERIES: HRMXXXXXXXXS

Sheet 3 of 3

ECO-139515

Doc# HRMXXXXXXXXS-1009795

Revision D

7.0 FOOTPRINT

Part Number	Inches						mm					
	A	B	C	D	S	W	A	B	C	D	S	W
HRMXXXXXXXXS	0.022	0.028	0.041	0.013	0.026	0.075	0.56	0.71	1.04	0.33	0.66	1.91

