

**TITLE: SPECIFICATION CONTROL DRAWING**

**PART IDENTIFIER:** TS02XXW3F  
(XX) DB VALUE

**DESCRIPTION:** HIGH POWER ATTENUATOR, ROHS

**ASSEMBLY DWG:** 1902134

**1.0 SPECIFICATIONS:**

1.1 ELECTRICAL:

- 1.1.1 IMPEDANCE: 50Ω NOMINAL.
- 1.1.2 FREQUENCY RANGE: DC-2.5 GHZ.
- 1.1.3 ATTENUATION VALUES AVAILABLE: 1-10DB.
- 1.1.4 ATTENUATION ACCURACY @ 960 MHZ: 1 - 10 DB, ±0.5 DB; @ 2.5 GHZ, +0, -1.0 DB.
- 1.1.5 INPUT POWER: 4 WATTS CW.
  - 1.1.5.1 FULL RATED POWER TO 100°C, DERATED LINEARLY TO 0 WATTS AT 150°C.
- 1.1.6 VSWR: 1.15 MAX @ 960 MHZ; 1.50 MAX @ 2.5 GHZ.

1.2 MECHANICAL:

- 1.2.1 OUTLINE DWG: SEE SHEET 2.
- 1.2.2 WORKMANSHIP: PER MIL-STD-454, REQUIREMENT 9, AND MIL-R-55342.

1.3 ENVIRONMENTAL:

- 1.3.1 TEMPERATURE RANGE:
  - 1.3.1.1 STORAGE: -65°C TO +150°C.
  - 1.3.1.2 OPERATING: -55°C TO +150°C.

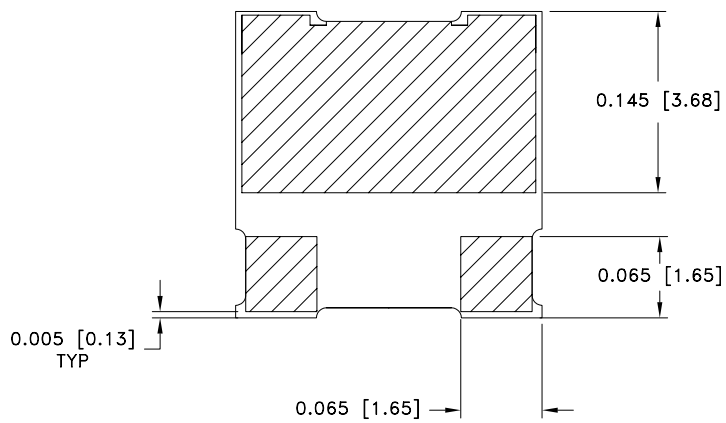
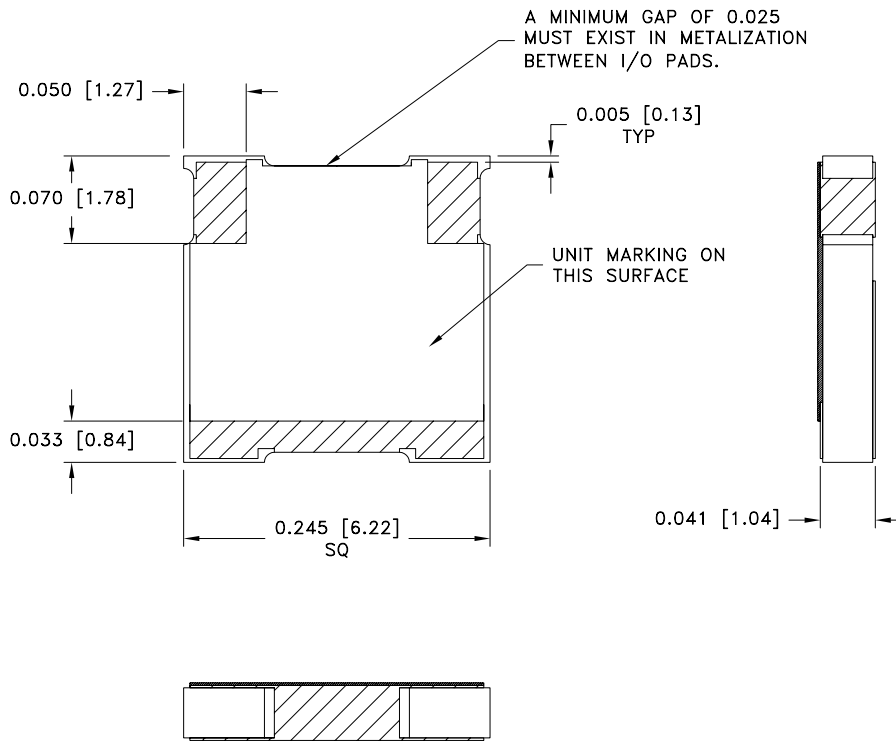
**2.0 UNIT MARKING:** DB VALUE.  
LEGIBILITY AND PERMANENCY PER MIL-STD-130.

**3.0 QUALITY ASSURANCE:**

- 3.1 SAMPLE INSPECT PER ANSI/ASQC Z1.4, GENERAL INSPECTION, LEVEL II, AQL=1.0.
  - 3.1.1 VISUAL AND MECHANICAL EXAMINATION FOR CONFORMANCE TO OUTLINE DWG REQUIREMENTS.
- 3.2 PERFORM INSPECTION IN ACCORDANCE WITH 824W170 AND 824F036 FOR COMMERCIAL GRADE PRODUCT.
- 3.3 DATA REQUIREMENTS:
  - 3.3.1 NO TEST DATA REQUIRED FOR CUSTOMER.
  - 3.3.2 DATA RETENTION - STANDARD.

**4.0 PACKAGING:** STANDARD PACK PER 755W002.

EMC TECHNOLOGY 8851 SW OLD KANSAS AVE. STUART, FL 34997	<b>CAGE CODE # 24602</b>		<b>DWG #</b>	1011715000
	<b>CHANGE NOTICE</b>	EN 10-0911	<b>REV LVL</b>	A
			<b>SHEET</b>	1 OF 2



**MECHANICAL SPECIFICATIONS:**

SUBSTRATE:  
 MATERIAL - ALUMINA, 96%, MIL-I-10.  
 TERMINAL:  
 MATERIAL - THICK FILM, NICKEL BARRIER.

RESISTIVE ELEMENT:  
 MATERIAL - THICK FILM.

METRIC EQUIVALENTS GIVEN IN [mm]  
 FOR REFERENCE INFORMATION ONLY

8851 SW OLD KANSAS AVE  
 STUART, FL 34997  
 PHONE NO. (772)286-9300  
 FAX NO. (772)283-5286

UNLESS OTHERWISE SPECIFIED DIMENSIONS ARE IN INCHES

TOLERANCES

FRACT	---
ANG	---
XX	---
XXX	±0.005
XXXX	---

THESE DRAWINGS AND SPECIFICATIONS ARE THE PROPERTY OF EMC TECHNOLOGY INC AND SHALL NOT BE DUPLICATED OR USED AS BASIS FOR THE MANUFACTURE OR SALE OF PARTS OR DEVICES WITHOUT PERMISSION.

CAGE CODE	SCALE	DRAWN BY	CHECKED BY	APPROVED BY
24602	10:1	JG 5/28/08		
REV	CHANGE NOTICE	DRAWING NO	SHEET	
A	EN 10-0911	1011715000	2 OF 2	