

ATTENUATOR TEMPERATURE VARIABLE



DATA SHEET

PART SERIES: AN11-XXNF

SHEET 2 OF 2
Dwg 1014205

EN 14-2398
Revision -

$$TCA = \frac{\text{Slope}}{\text{Attenuation @ 25}^\circ\text{C}}$$

Inspection in accordance with 824W170 and 824F036, for commercial grade product.

Test Data Requirements:

No Data Required for Customer

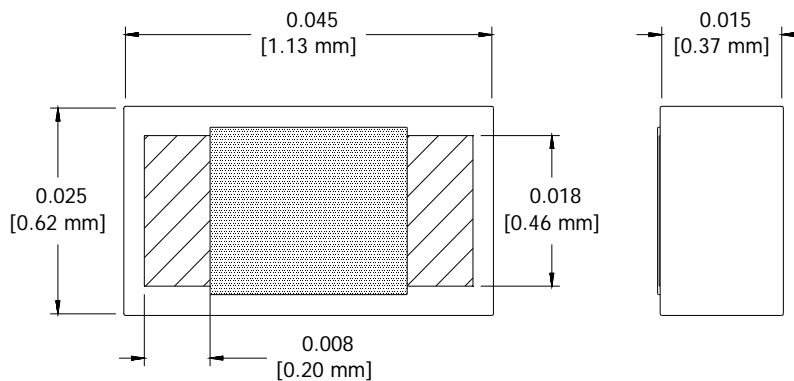
Data Retention – 24 Months

5.0 PACKAGING

Standard: Tape and Reel

6.0 MECHANICAL

Substrate Material: Alumina
Terminal Material: Thick Film ROHS Compliant
Resistive Element: Thick film



Unless Otherwise Specified: TOLERANCE: X.XX = ± 0.XX X.XXX = ± 0.XXX