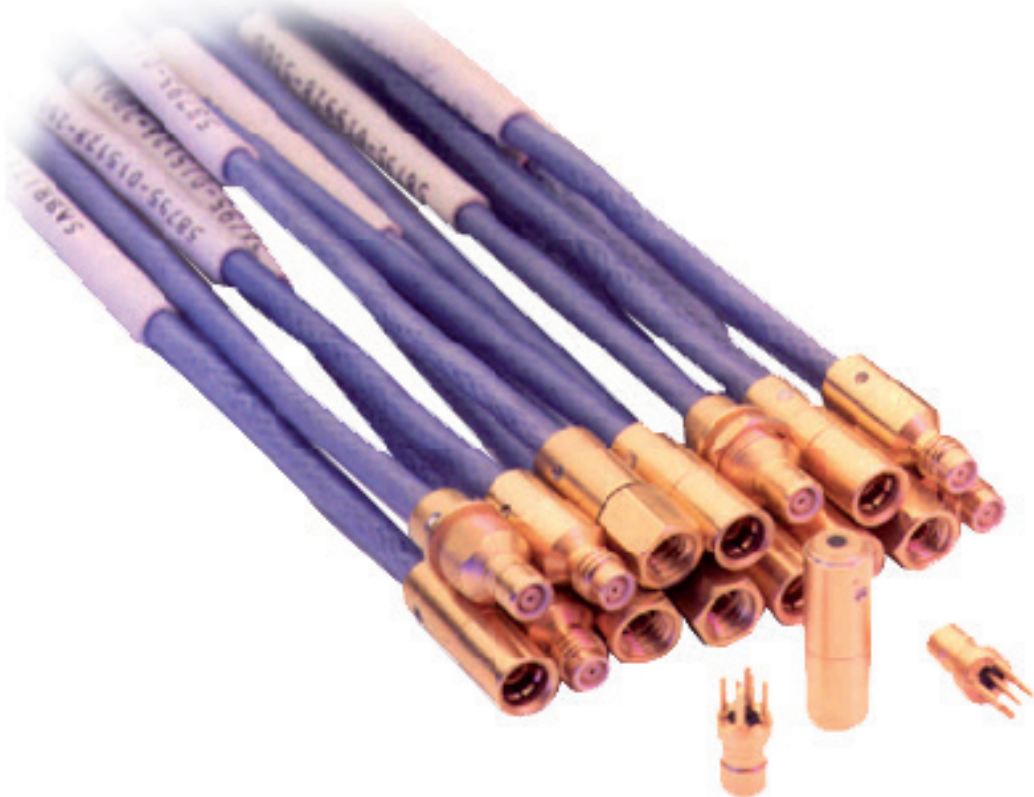


NDL-Q & NDL-T Series Connectors



Triaxial Connectors

Mechanical & Environmental Specifications

| | |
|---|--|
| Temperature Rating | -65 °C to 165 °C |
| Corrosion | MIL-STD-202 Method 101, Test Condition B |
| Shock | MIL-STD-202 Method 213, Test Condition B |
| Vibration | MIL-STD-202 Method 204, Test Condition B |
| Thermal Shock | MIL-STD-202 Method 107, Test Condition B |
| Durability | 1000 Mate/Unmate cycles min. |
| Coupling Nut Torque (NDL-T) Recommended Proof Torque | 2.3 in-lbs min. 7.0 in-lbs |
| Jam Nut Recommended Torque | 4 to 5 in-lbs |
| Mating Torque (NDL-T) | 2.5 in-lbs |
| Engagement Disengagement Force (NDL-Q) | 3.0 lbs min. |

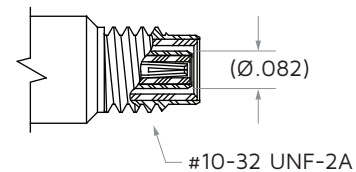
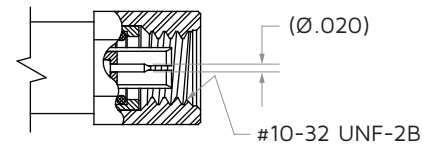
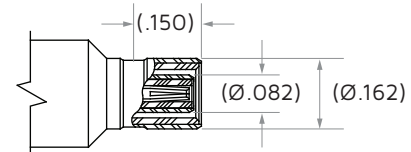
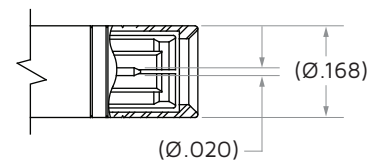
Electrical Specifications

| | |
|--------------------------------------|---|
| Dielectric Withstanding Voltage | Centre contact to intermediate contact: 1000 Vrms min. Intermediate contact to outer contact: 400 Vrms min. |
| Insulation Resistance | 5.000 megaohm min. Centre contact to intermediate contact: 250 VDC Intermediate contact to outer contact: 125 VDC |
| Contact Current Rating | 2.0 A max. |
| RF Hi Potential Withstanding Voltage | Centre contact to intermediate contact: 500 Vrms @ 5 MHz Intermediate contact to outer contact: 125 Vrms @ 5 MHz |
| Corona Level @ 70,000 ft | Centre contact to intermediate contact: 125 VAC |
| Permeability | 2.0 max. |
| Rise time Degradation (Mated Pair) | 800 ps @ 1 MHz |

Material & Finishes

| | |
|--|--|
| Shell and Centre / Intermediate Contacts | Brass per ASTM-B16, alloy UNS C36000 BeCu per ASTM-B196, alloy UNS C17200, C17300 Gold plate per MIL-DTL-45204, Type II, Class 1 |
| Insulators | PTFE per ASTM-D 1710 |
| O-Ring (NDL-T) | Silicone rubber per A-A-59588 |

Interface Dimensions



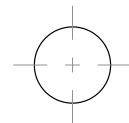
Connector Types

Actual O.D. Size

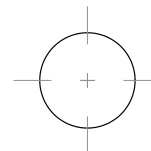
NDL



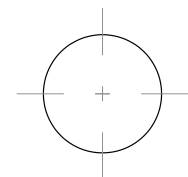
TTM/TRS



TRT/TRB



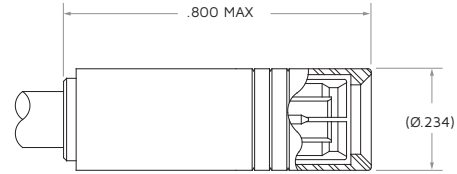
TRC/TTC



NDL-Q

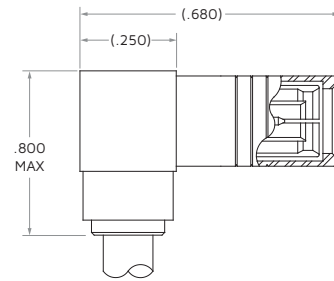
NDL-Q Cable Plug

| Part Number | Cable Type | Cable |
|-------------|-----------------|---------------|
| 016028-2000 | Flexible Twinax | M17/176-00002 |
| 016028-2012 | Flexible Twinax | 540-1086-000 |
| 016028-2013 | Flexible Triax | RG-403 |
| 016028-2014 | Flexible Triax | 540-1050-000 |
| 016028-2031 | Flexible Triax | 540-1081-000 |



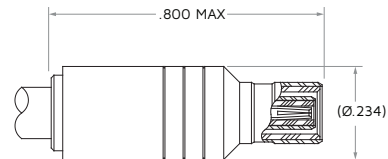
NDL-Q Right Angle Cable Plug

| Part Number | Cable Type | Cable |
|-------------|-----------------|---------------|
| 016028-1001 | Flexible Twinax | M17/176-00002 |
| 016028-1012 | Flexible Twinax | 540-1086-000 |
| 016028-1013 | Flexible Triax | RG-403 |
| 016028-1014 | Flexible Triax | 540-1050-000 |
| 016028-1031 | Flexible Triax | 540-1081-000 |



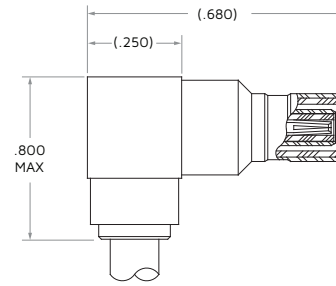
NDL-Q Cable Jack

| Part Number | Cable Type | Cable |
|-------------|-----------------|---------------|
| 016128-2001 | Flexible Twinax | M17/176-00002 |
| 016128-2012 | Flexible Twinax | 540-1086-000 |
| 016128-2013 | Flexible Triax | RG-403 |
| 016128-2014 | Flexible Triax | 540-1050-000 |
| 016128-2031 | Flexible Triax | 540-1081-000 |



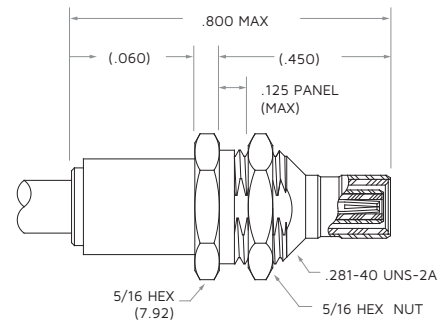
NDL-Q Right Angle Cable Jack

| Part Number | Cable Type | Cable |
|-------------|-----------------|---------------|
| 016128-1001 | Flexible Twinax | M17/176-00002 |
| 016128-1002 | Flexible Twinax | 540-1086-000 |
| 016128-1003 | Flexible Triax | RG-403 |
| 016128-1004 | Flexible Triax | 540-1050-000 |
| 016128-1031 | Flexible Triax | 540-1081-000 |



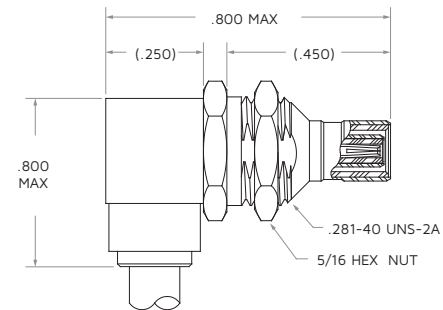
NDL-Q Bulkhead Cable Jack

| Part Number | Cable Type | Cable |
|-------------|-----------------|---------------|
| 016128-5000 | Flexible Twinax | M17/176-00002 |
| 016128-5012 | Flexible Twinax | 540-1086-000 |
| 016128-5013 | Flexible Triax | RG-403 |
| 016128-5014 | Flexible Triax | 540-1050-000 |
| 016128-5031 | Flexible Triax | 540-1081-000 |

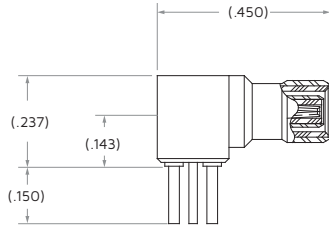


NDL-Q Right Angle Bulkhead Cable Jack

| Part Number | Cable Type | Cable |
|-------------|-----------------|---------------|
| 016128-1101 | Flexible Twinax | M17/176-00002 |
| 016128-1102 | Flexible Twinax | 540-1086-000 |
| 016128-1103 | Flexible Triax | RG-403 |
| 016128-1104 | Flexible Triax | 540-1050-000 |
| 016128-1131 | Flexible Triax | 540-1081-000 |



NDL-Q Right Angle PCB Jack

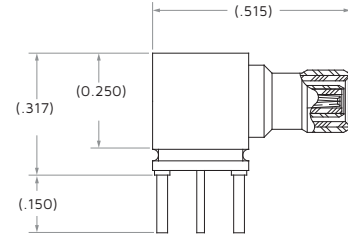


Mounting for 0.100 centres.

Part Number

016100-1001

NDL-Q Right Angle PCB Jack

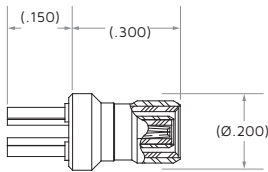


Mounting for 0.200 centres.

Part Number

016100-1002

NDL-Q Straight PCB Jack

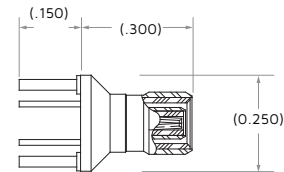


Mounting for 0.100 centres.

Part Number

016100-3000

NDL-Q Straight PCB Jack

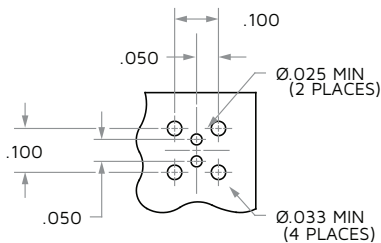


Mounting for 0.200 centres.

Part Number

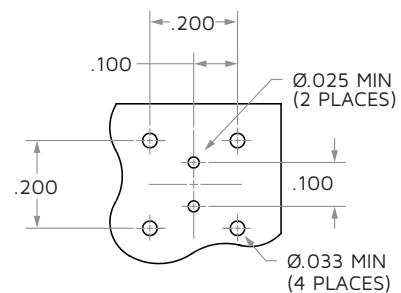
016100-3002

Mounting for PCB Connectors



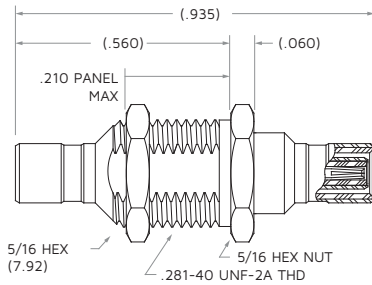
PCB pattern for 0.100 centres.

Mounting for PCB Connectors



PCB pattern for 0.200 centres

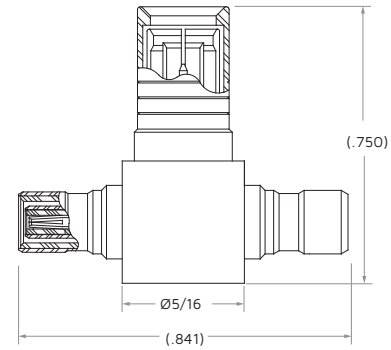
NDL-Q Feed-Thru Jack Adapter



Part Number

016100-5004

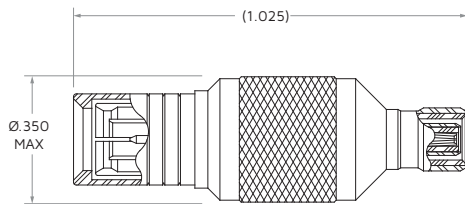
NDL-Q "Tee" Adapter



Part Number

016000-4000

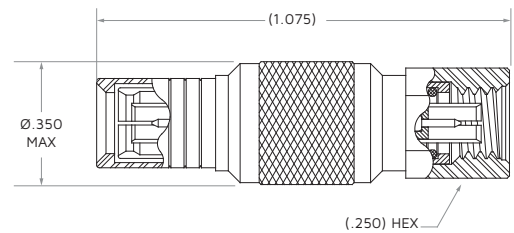
NDL-Q Plug to NDL-Q Jack



Part Number

016000-4001

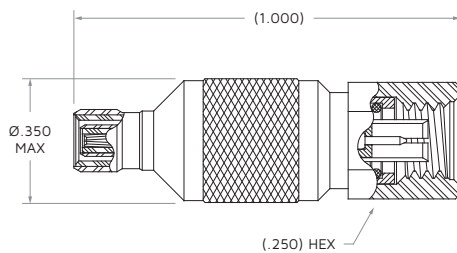
NDL-Q Plug to NDL-T Plug



Part Number

016000-4007

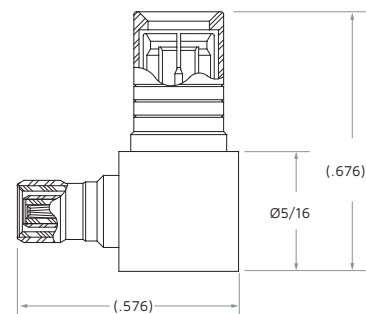
NDL-Q Jack to NDL-T Plug



Part Number

016100-4001

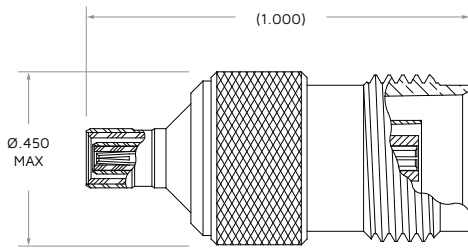
NDL-Q Right Angle Plug to NDL-Q Jack



Part Number

016000-1000

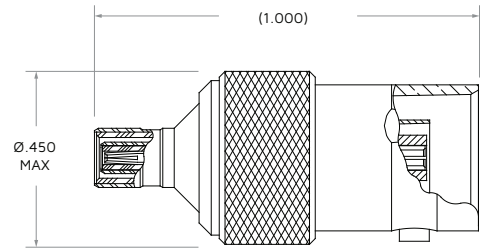
NDL-Q Jack to TRT Jack



Part Number

016100-4002

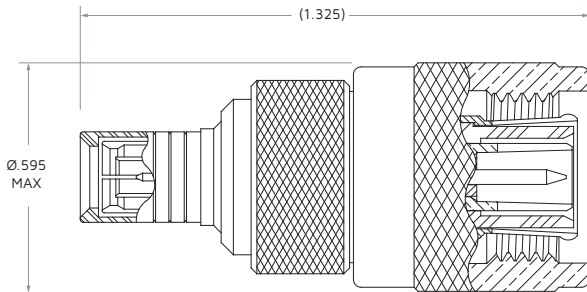
NDL-Q Jack to TRB Jack



Part Number

016100-4003

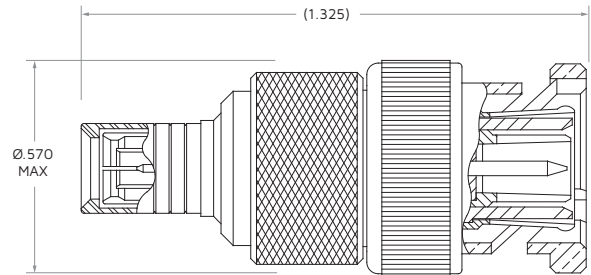
NDL-Q Plug to TRT Plug



Part Number

016000-4003

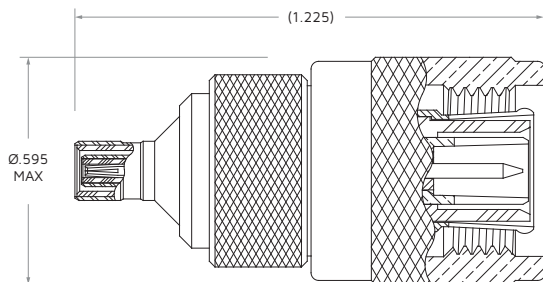
NDL-Q Plug to TRB Plug



Part Number

016000-4004

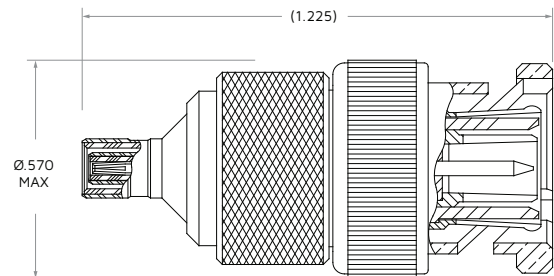
NDL-Q Jack to TRT Plug



Part Number

016100-4004

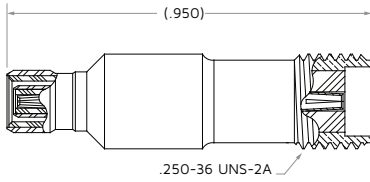
NDL-Q Jack to TRB Plug



Part Number

016100-4005

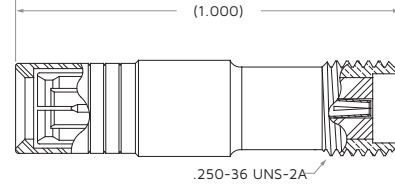
NDL-Q Jack to SMA Jack



Part Number

016100-4010

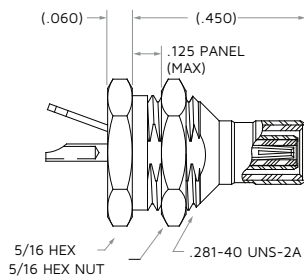
NDL-Q Plug to SMA Jack



Part Number

016000-4010

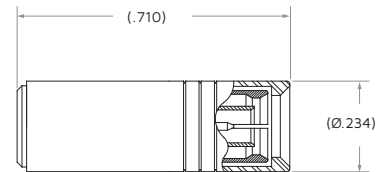
NDL-Q Bulkhead Jack



Part Number

016100-5001

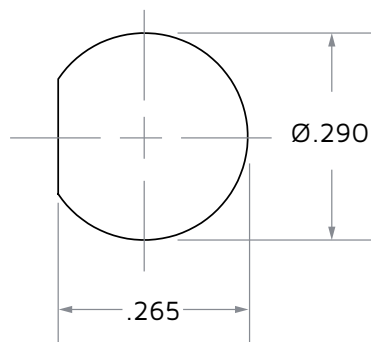
NDL-Q 75 Ohm Terminator



Part Number

016000-0000

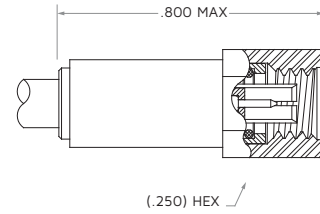
Mounting D-Hole Configuration



NDL-T

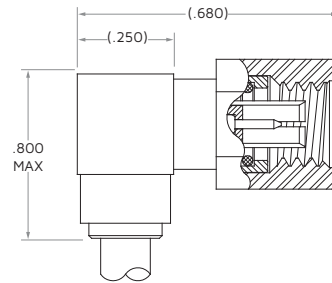
NDL-T Cable Plug

| Part Number | Cable Type | Cable |
|-------------|-----------------|---------------|
| 015028-2000 | Flexible Twinax | M17/176-00002 |
| 015028-2012 | Flexible Twinax | 540-1086-000 |
| 015028-2013 | Flexible Triax | RG-403 |
| 015028-2014 | Flexible Triax | 540-1050-000 |
| 015028-2031 | Flexible Triax | 540-1081-000 |



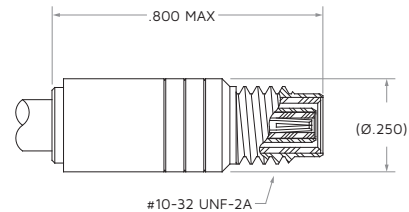
NDL-T Right Angle Cable Plug

| Part Number | Cable Type | Cable |
|-------------|-----------------|---------------|
| 015028-1001 | Flexible Twinax | M17/176-00002 |
| 015028-1012 | Flexible Twinax | 540-1086-000 |
| 015028-1013 | Flexible Triax | RG-403 |
| 015028-1014 | Flexible Triax | 540-1050-000 |
| 015028-1031 | Flexible Triax | 540-1081-000 |



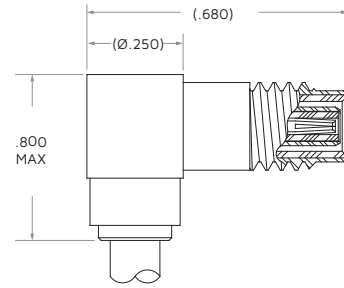
NDL-T Cable Jack

| Part Number | Cable Type | Cable |
|-------------|-----------------|---------------|
| 015112-2001 | Flexible Twinax | M17/176-00002 |
| 015112-2012 | Flexible Twinax | 540-1086-000 |
| 015112-2013 | Flexible Triax | RG-403 |
| 015112-2014 | Flexible Triax | 540-1050-000 |
| 015112-2031 | Flexible Triax | 540-1081-000 |



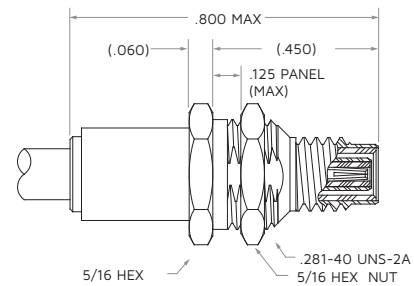
NDL-T Right Angle Cable Jack

| Part Number | Cable Type | Cable |
|-------------|-----------------|---------------|
| 015112-1001 | Flexible Twinax | M17/176-00002 |
| 015112-1012 | Flexible Twinax | 540-1086-000 |
| 015112-1013 | Flexible Triax | RG-403 |
| 015112-1014 | Flexible Triax | 540-1050-000 |
| 015112-1031 | Flexible Triax | 540-1081-000 |



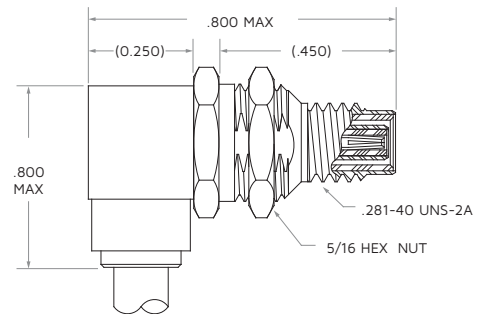
NDL-T Bulkhead Cable Jack

| Part Number | Cable Type | Cable |
|-------------|-----------------|---------------|
| 015112-5000 | Flexible Twinax | M17/176-00002 |
| 015112-5012 | Flexible Twinax | 540-1086-000 |
| 015112-5013 | Flexible Triax | RG-403 |
| 015112-5014 | Flexible Triax | 540-1050-000 |
| 015112-5031 | Flexible Triax | 540-1081-000 |

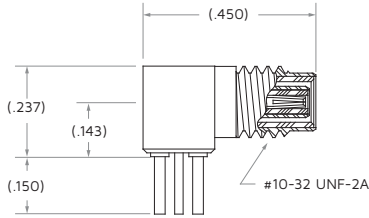


NDL-T Right Angle Bulkhead Cable Jack

| Part Number | Cable Type | Cable |
|-------------|-----------------|---------------|
| 015112-1001 | Flexible Twinax | M17/176-00002 |
| 015112-1012 | Flexible Twinax | 540-1086-000 |
| 015112-1013 | Flexible Triax | RG-403 |
| 015112-1014 | Flexible Triax | 540-1050-000 |
| 015112-1031 | Flexible Triax | 540-1081-000 |



NDL-T Right Angle PCB Jack

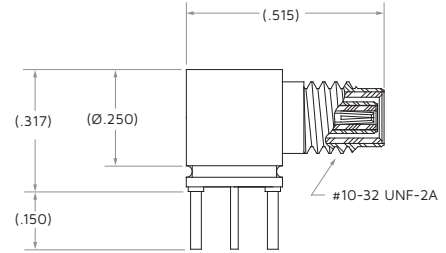


Mounting for 0.100 centres.

Part Number

015100-1011

NDL-T Right Angle PCB Jack

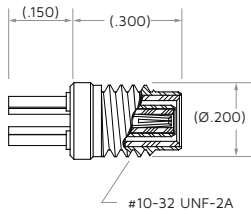


Mounting for 0.200 centres.

Part Number

015100-1012

NDL-T Straight PCB Jack

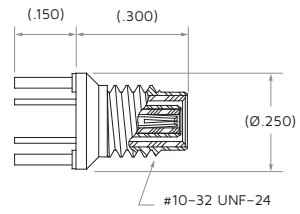


Mounting for 0.100 Centres

Part Number

015100-3010

NDL-T Straight PCB Jack

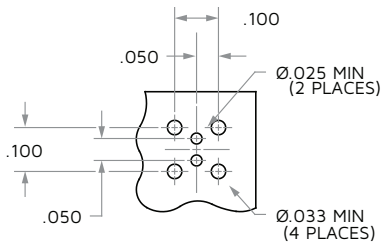


Mounting for 0.200 Centres

Part Number

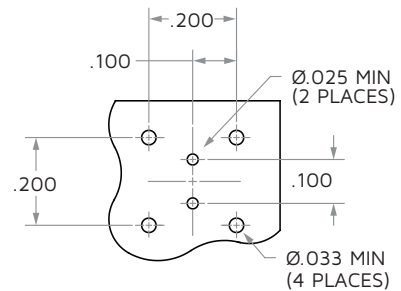
015100-3012

Mounting for PCB Connectors



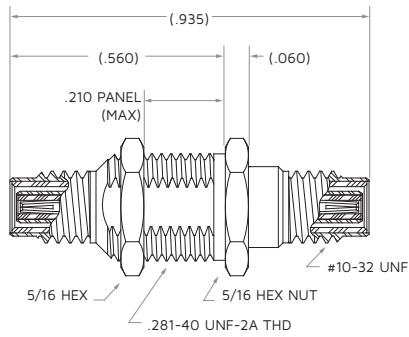
PCB Pattern for 0.100 centres.

Mounting for PCB Connectors



PCB Pattern for 0.200 centres.

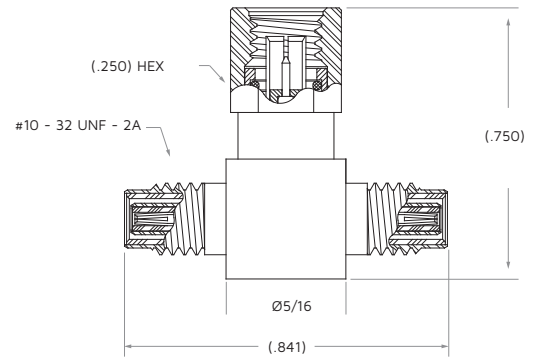
NDL-T Feed-Thru Jack Adapter



Part Number

015100-5024

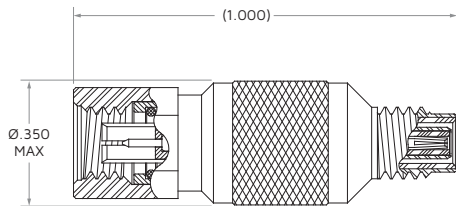
NDL-T "Tee" Adapter



Part Number

015000-4020

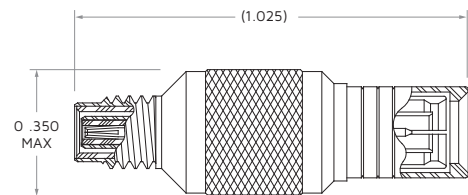
NDL-T Plug to NDL-T Jack



Part Number

015000-4023

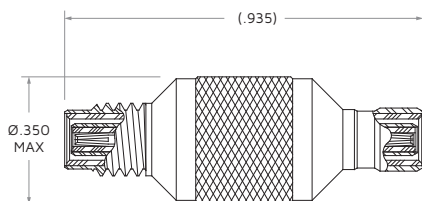
NDL-T Jack to NDL-Q Plug



Part Number

015100-4015

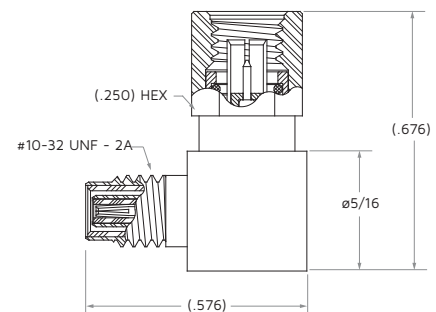
NDL-T Jack to NDL-Q Jack



Part Number

015100-4016

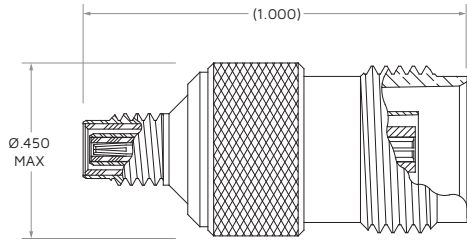
NDL-T Right Angle Plug to NDL-T Jack



Part Number

015000-1001

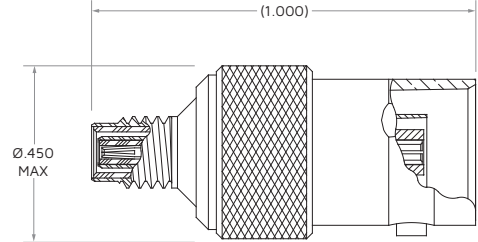
NDL-T Jack to TRT Jack



Part Number

015100-4011

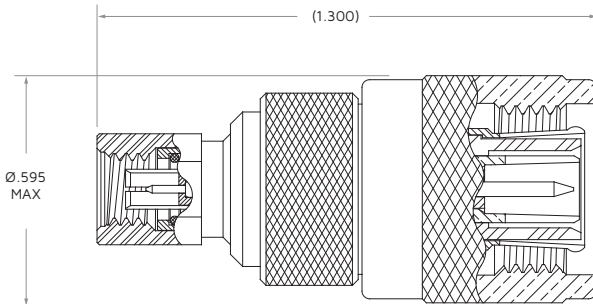
NDL-T Jack to TRB Jack



Part Number

015100-4012

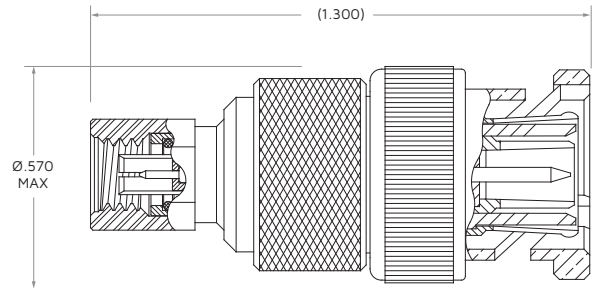
NDL-T Plug to TRT Plug



Part Number

015000-4004

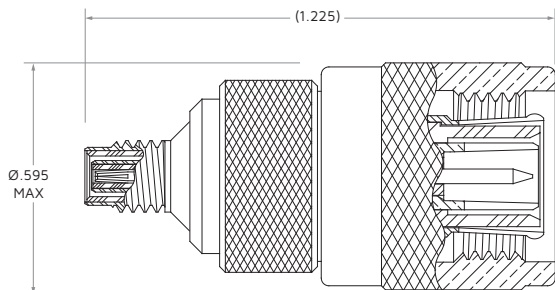
NDL-T Plug to TRB Plug



Part Number

015000-4005

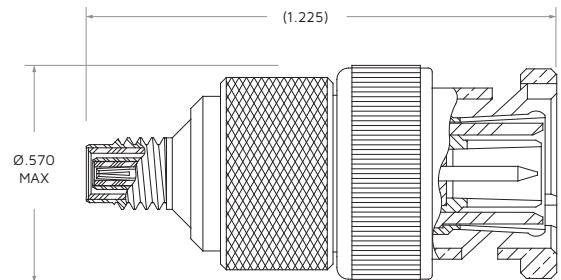
NDL-T Jack to TRT Plug



Part Number

015100-4013

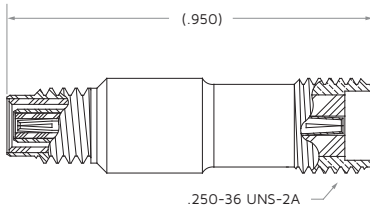
NDL-T Jack to TRB Plug



Part Number

015100-4014

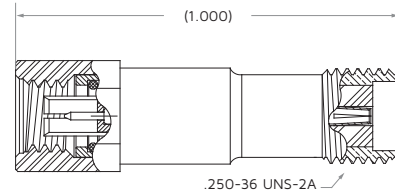
NDL-T Jack to SMA Jack



Part Number

015100-4017

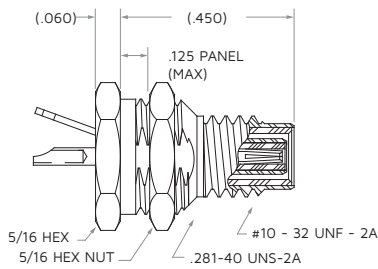
NDL-T Plug to SMA Jack



Part Number

015000-4010

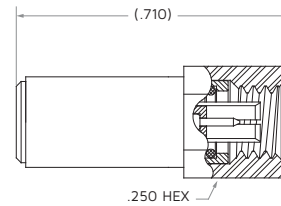
NDL-T Bulkhead Jack



Part Number

015100-5025

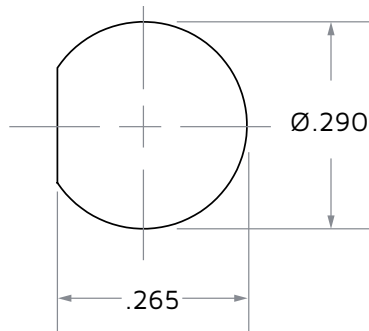
NDL-T 75 Ohm Terminator



Part Number

015000-0000

Mounting D-Hole Configuration



Ordering

Please, contact our Sales office or visit our website for quotations.



Disclaimer

All of the information included in this catalogue is believed to be accurate at the time of printing. It is recommended, however, that users should independently evaluate the suitability of each product for their intended application and be sure that each product is properly installed, used and maintained to achieve desired results.

Smiths Interconnect makes no warranties as to the accuracy or completeness of the information, and disclaims any liability regarding its use.

Smiths Interconnect reserves the right to modify design and specifications, in order to improve quality, keep pace with technological development or meet specific production requirements.

No reproduction or use without express permission of editorial and pictorial content, in any manner.

Worldwide Support

Connectors

Americas

Sales

connectors.uscsr@smithsinterconnect.com

Technical Support

connectors.ustechsupport@smithsinterconnect.com

Europe

Sales

connectors.emeacsr@smithsinterconnect.com

Technical Support

connectors.emeatechsupport@smithsinterconnect.com

Asia

Sales

asiacsr@smithsinterconnect.com

Technical Support

asiatechsupport@smithsinterconnect.com

Fiber Optics & RF Components

Americas

Sales

focom.uscsr@smithsinterconnect.com

Technical Support

focom.techsupport@smithsinterconnect.com

Europe

Sales

focom.emeacsr@smithsinterconnect.com

Technical Support

focom.techsupport@smithsinterconnect.com

Asia

Sales

focom.asiacsr@smithsinterconnect.com

Technical Support

focom.techsupport@smithsinterconnect.com

Semiconductor Test

Americas

Sales

semi.uscsr@smithsinterconnect.com

Technical Support

semi.techsupport@smithsinterconnect.com

Europe

Sales

semi.emeacsr@smithsinterconnect.com

Technical Support

semi.techsupport@smithsinterconnect.com

Asia

Sales

semi.asiacsr@smithsinterconnect.com

Technical Support

semi.techsupport@smithsinterconnect.com

RF/MW Subsystems

Americas, Europe & Asia

Sales

subsystems.csr@smithsinterconnect.com

Technical Support

subsystems.techsupport@smithsinterconnect.com

Connecting Global Markets

more > [smithsinterconnect.com](https://www.smithsinterconnect.com) | [in](#) [twitter](#) [youtube](#)