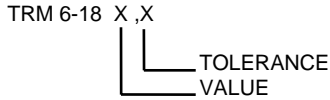


TITLE: SPECIFICATION CONTROL DRAWING

PART IDENTIFIER:



DESCRIPTION: ROD RESISTOR, ALUMINA

ASSEMBLY DWG: 1200034

1.0 SPECIFICATIONS:

1.1 ELECTRICAL:

- 1.1.1 RESISTANCE RANGE: 10Ω TO 250Ω.
- 1.1.2 TOLERANCE: 1%, 2%, OR 5%.
- 1.1.3 INPUT POWER:
 - 1.1.3.1 IN AIR 125°C: 0.25 WATT.
 - 1.1.3.2 HEAT SINK 100°C: 2 WATTS.

1.2 MECHANICAL:

- 1.2.1 OUTLINE DWG: SEE SHEET 2.
- 1.2.2 WORKMANSHIP: PER MIL-STD-454, REQUIREMENT 9.

1.3 ENVIRONMENTAL:

- 1.3.1 TEMPERATURE RANGE:
 - 1.3.1.1 NON-OPERATING: -55° C TO +150° C.
 - 1.3.1.2 OPERATING: -55°C TO +125°C.

2.0 UNIT MARKING: NONE

3.0 QUALITY ASSURANCE:

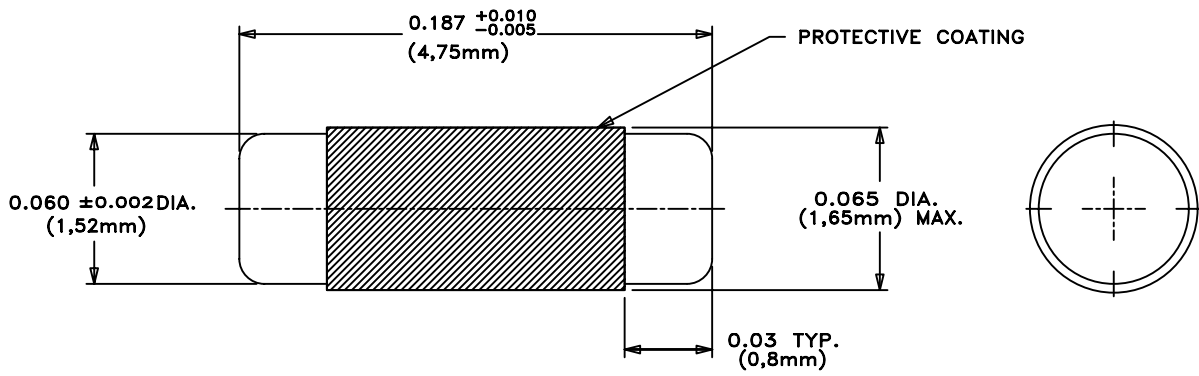
3.1 SAMPLE INSPECT PER MIL-STD-105, LEVEL II, 1.0 AQL.

- 3.1.1 VISUAL AND MECHANICAL EXAMINATION FOR CONFORMANCE TO CONTROL DRAWING REQUIREMENTS.
- 3.1.2 MEASURE AND RECORD DCR.
 - 3.1.2.1 ACCEPTANCE LIMITS: RESISTANCE VALUES AND TOLERANCE AS SPECIFIED ON SHOP/FACTORY ORDER OR ASSEMBLY.

4.0 PACKAGING: STANDARD PACKING PER 755W002.

EMC TECHNOLOGY 8851 SW OLD KANSAS AVE. STUART, FL 34997	CAGE CODE # 24602		DWG #	1001505000
	CHANGE NOTICE	EN 08-E0748	REV LVL	B
			SHEET	1 OF 2


PART ID REF
TRM 6-18



MECHANICAL SPECIFICATIONS:

SUBSTRATE:
MATERIAL - ALUMINA 96%, MIL-I-10.
TERMINAL:
MATERIAL - GOLD OVER NICKEL PLATING.

METRIC EQUIVALENTS ARE GIVEN FOR
REFERENCE INFORMATION ONLY

 8851 SW OLD KANSAS AVE STUART, FL 34997 PHONE NO. (772)286-9300 FAX NO. (772)283-5286	UNLESS OTHERWISE SPECIFIED DIMENSIONS ARE IN INCHES TOLERANCES FRACT --- --- ANG --- --- XX ± 0.01 XXX ± 0.005 XXXX --- ---	THESE DRAWINGS AND SPECIFICATIONS ARE THE PROPERTY OF EMC TECHNOLOGY INC AND SHALL NOT BE DUPLICATED OR USED AS BASIS FOR THE MANUFACTURE OR SALE OF PARTS OR DEVICES WITHOUT PERMISSION.					
	CAGE CODE 24602	SCALE 1:1	DRAWN BY JG 8/13/08	CHECKED BY	APPROVED BY		
	REV B	CHANGE NOTICE EN 08-E0748	DRAWING NO 1001505000	SHEET 2 OF 2			