

TITLE: SPECIFICATION CONTROL DRAWING

PART IDENTIFIER: CT0505G

DESCRIPTION: HIGH POWER CHIP TERMINATION, BERYLLIA (MOD CT0505, BONDABLE GOLD)

ASSEMBLY DWG: 1102124

1.0 SPECIFICATIONS:

- 1.1 ELECTRICAL:
 - 1.1.1 IMPEDANCE: 50Ω NOMINAL.
 - 1.1.2 FREQUENCY: DC - 4 GHZ.
 - 1.1.3 VSWR: 1.25:1 MAX.
 - 1.1.4 INPUT POWER:
 - 1.1.4.1 HEAT SINK 100°C: 10 WATTS. (DERATE POWER LINEARLY TO 0 WATTS @ 125°C)
- 1.2 MECHANICAL:
 - 1.2.1 OUTLINE DWG: SEE SHEET 2.
 - 1.2.2 WORKMANSHIP: PER MIL-PRF-55342.
- 1.3 ENVIRONMENTAL:
 - 1.3.1 TEMPERATURE RANGE:
 - 1.3.1.1 NON-OPERATING: -55°C TO +150°C.
 - 1.3.1.2 OPERATING: -55°C TO +125°C.

2.0 UNIT MARKING: NONE.

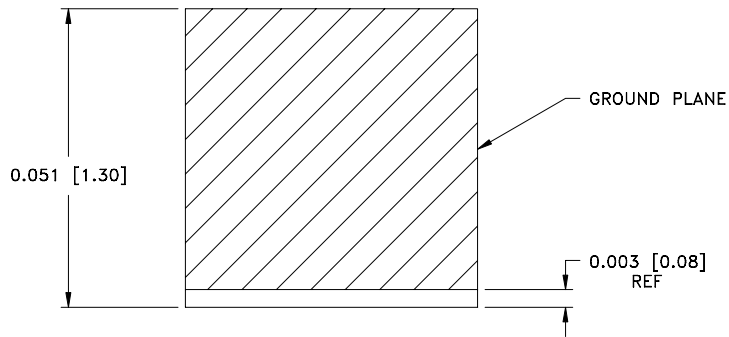
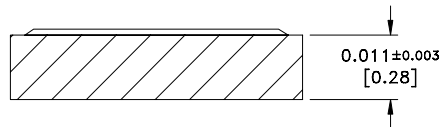
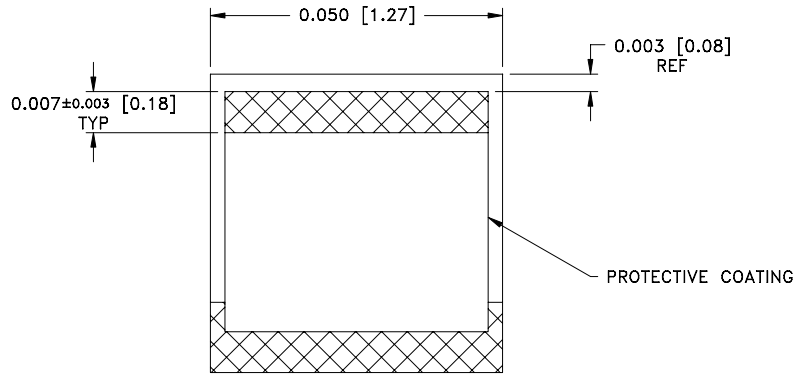
3.0 QUALITY ASSURANCE:

- 3.1 SAMPLE INSPECT PER ANSI/ASQC Z1.4 GENERAL INSPECTION, LEVEL II, AQL = 1.0.
 - 3.1.1 VISUAL AND MECHANICAL PER 824W154.
- 3.2 100% DC RESISTANCE CHECK (GO/NO GO): 50Ω ± 5%.
- 3.3 DATA REQUIREMENTS:
 - 3.3.1 NO TEST DATA REQUIRED.
 - 3.3.2 DATA RETENTION - STANDARD.

4.0 PACKAGING: STANDARD PACKING PER 755W002.

EMC TECHNOLOGY 8851 SW OLD KANSAS AVE. STUART, FL 34997	CAGE CODE # 24602		DWG #	1010895000
	CHANGE NOTICE	EN 08-E0712	REV LVL	A
			SHEET	1 OF 2


PART ID REF
CT0505G



MECHANICAL SPECIFICATIONS:

SUBSTRATE:
 MATERIAL - BERYLLIA, ASTM F356.
 TERMINALS:
 MATERIAL - BONDABLE GOLD.
 GROUND PLANE:
 MATERIAL - PLATINUM GOLD.
 RESISTIVE ELEMENT:
 MATERIAL - THICK FILM.

METRIC EQUIVALENTS GIVEN IN [mm]
 FOR REFERENCE INFORMATION ONLY

 8851 SW OLD KANSAS AVE STUART, FL 34997 PHONE NO. (772)286-9300 FAX NO. (772)283-5286	UNLESS OTHERWISE SPECIFIED DIMENSIONS ARE IN INCHES	THESE DRAWINGS AND SPECIFICATIONS ARE THE PROPERTY OF EMC TECHNOLOGY INC AND SHALL NOT BE DUPLICATED OR USED AS BASIS FOR THE MANUFACTURE OR SALE OF PARTS OR DEVICES WITHOUT PERMISSION.					
	TOLERANCES	CAGE CODE	SCALE	DRAWN BY	CHECKED BY	APPROVED BY	
	FRACT --- -- ANG --- -- XX --- -- XXX ±0.005 XXXX --- --	24602	50:1	JG 8/8/08			
	REV	CHANGE NOTICE	DRAWING NO	SHEET			
	A	EN 08-E0712	1010895000	2 OF 2			